

Material :

- * Body : Glass Filled Nylon 6T UL 94V-0
- * Slider : PPS With 40% GF. UL 94V-0
- Color Brown
- * Contact : Copper Alloy
- * Fixed tab : Copper Alloy with Tin plated

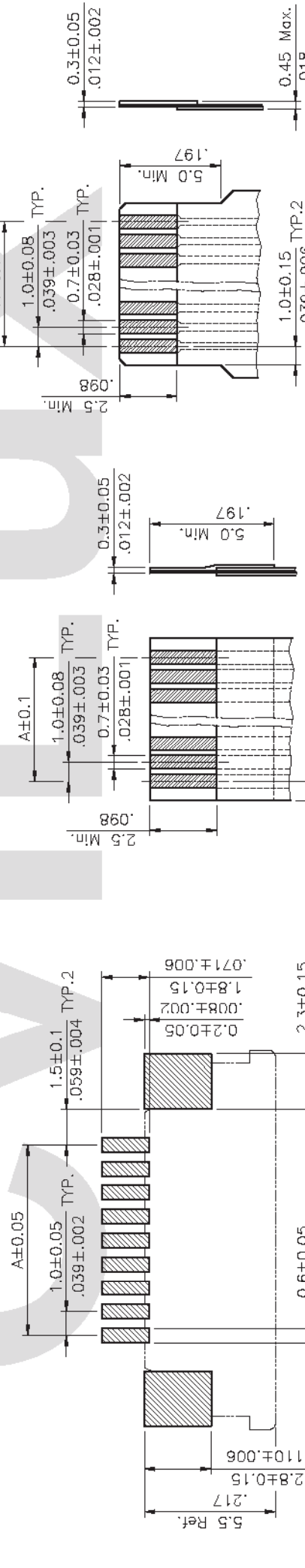
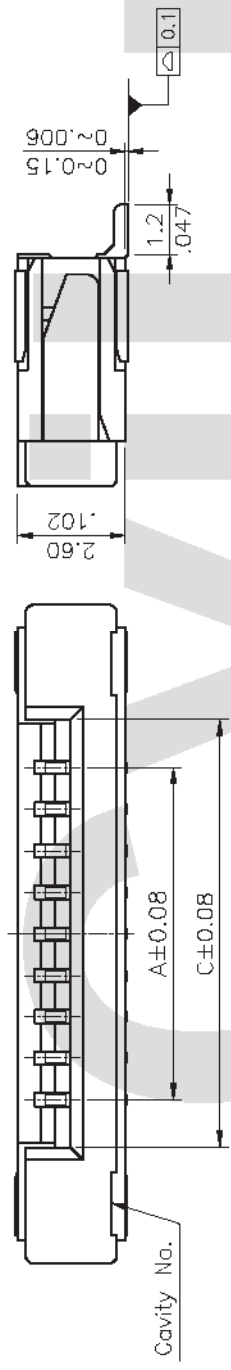
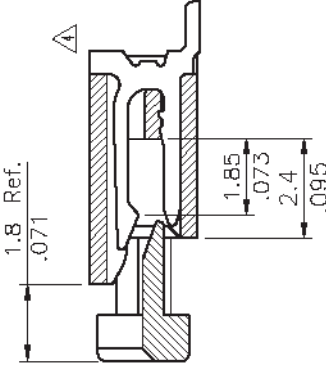
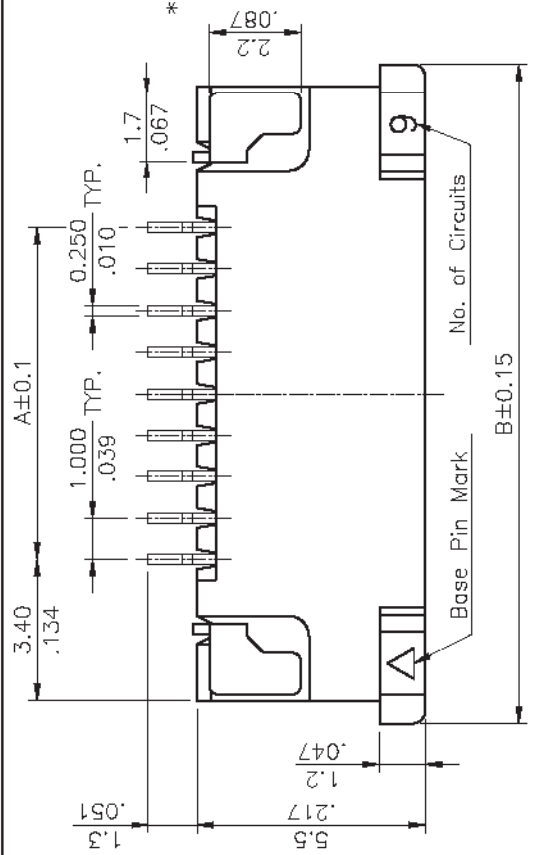
Ordering Code

CF07 ** * U 0 * 0
 ① ② ③ ④ ⑤ ⑥ ⑦

- ① Series No.
- ② No. of Circuits
- ③ Plating code:
 1 = Tin plated over Nickel
 2 = Gold flash plated over Nickel
- ④ Contact style: U = Upside Contact
- ⑤ Color: 0 = Nature
- ⑥ Packing options: R = Tape & Reel
 T = Tube Packing
- ⑦ Other options: 0 = Standard

- A = 1.00 * No. of Spaces
- B = A + 8.0
- C = A + 2.1

* Available in 4 through 32 circuits



Sold Pad Pattern

Accommodated FPC

Accommodated FFC

RoHS Compliant

④	Sun	11/06-06	ECR06062-1/ECN06406	DATE	UNIT: mm / inch	TITLE: 1.00mm(.039") ZIF FFC/FFC UPSIDE CONTACT SURFACE MOUNT CONNECTOR
③	Sun	8/10-05	ECN05288	11/09-06	11/09-06	UPSIDE CONTACT SURFACE MOUNT CONNECTOR
②	Sun	3/25-04	ECN04117	11/09-06	11/09-06	MATERIAL:
①	Sun	11/19-03	ECN03409/ECR03049-0	11/09-06	11/09-06	FINISH:
SYM	NAME	DATE	REVISIONS	APPROVED BY:	XX ±	

CVILUX CORP.
 2006.11.14
 ISSUED

DRAWN BY: Sun
 ENGINEER: Easley
 CHECKED BY: David
 APPROVED BY: Alex

UNLESS OTHERWISE SPECIFIED
 X ± 0.15/0.06 X' ± 1'
 .XX ± 0.10/0.04 X ±
 .XX ± 0.05/0.02 .XX ±

SCALE: 5/1
 SHEET: 1 OF 1

瀚菱股份有限公司
 CviLux Corporation

DRAWING NO: CF0702SK PART NO. CF07***U0*0