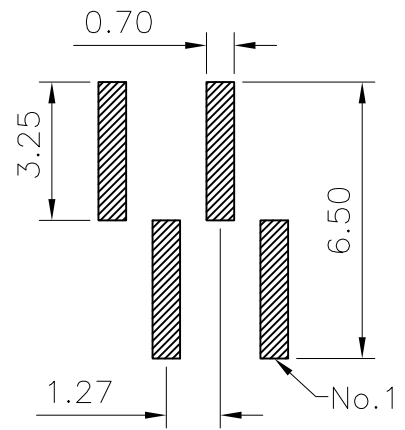
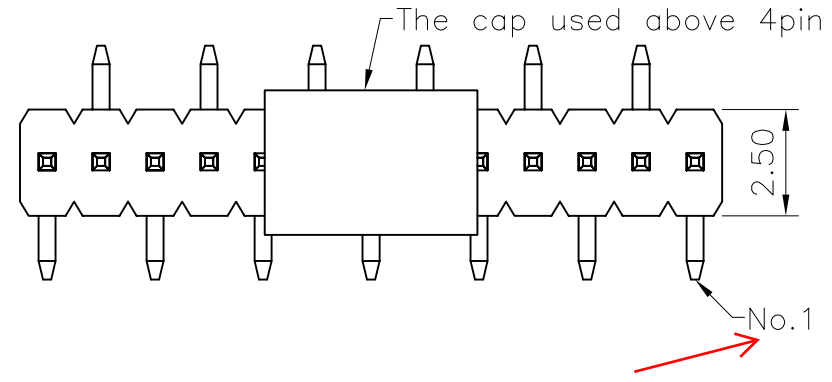
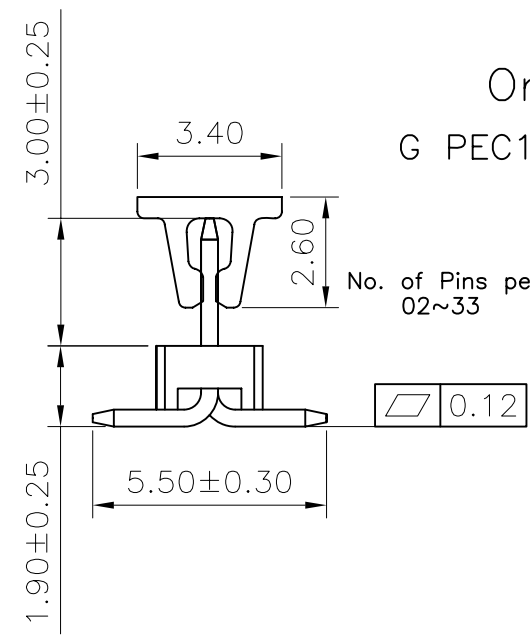
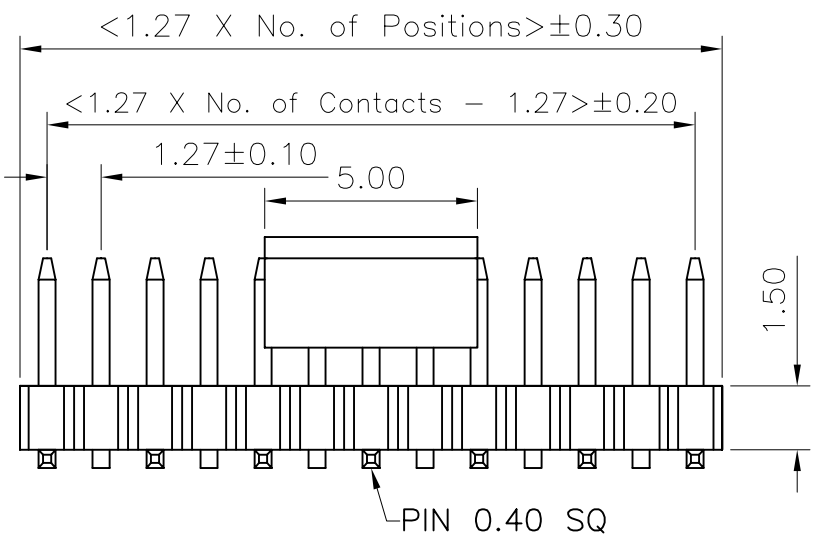


REV.	LOCAS	DESCRIPTION	DATE	DRAWN
01		轉量產版	2007.03.22	皮洪斌
02	△	變更料號	2008.09.03	彭思城
03	△	更改新圖號及特性說明并新增包裝選項	2011.03.22	馮代勇

RECOMMENDED P.C.B LAYOUT
(Tolerance:±0.05)



Specifications
 Current Rating:1Amp
 Insulation Resistance:1000MΩMin.
 Dielectric Withstanding: 300VAC
 Contact Resistance:20mΩMax.
 Operating Temperature:-40°C to +105°C
 Materials
 Contact Material: Brass
 Insulator Material: High Temperature
 Thermoplastic, UL 94V-0 LCP or the equivalent material
 All materials must meet Greenconn requirement for environment protection.



Ordering Information △

G PEC109-XX XX A004 C 1 B X



No. of Pins per Row 02~33
 Standard Plating 02=Gold Flash
 Selective Plating 01=Tin 05=Gold Flash/Tin
 Standard Packing C=Tube
 Selective Packing D=Tape Reel
 △F=Cap+Tape&Reel

F
E
D
C
B
A

F
E
D
C
B
A

格稜股份有限公司
Greenconn Corporation

GENERAL TOLERANCE	
X.±5.0°	X.±0.30
.X.±3.0°	.X.±0.25
.XX.±2.0°	.XX.±0.15
.XXX.±1.0°	.XXX.±0.10

DESIGN: 馮代勇	DATE: 2011.03.22
CHECKED: 李新華	DATE: 2011.03.22
AUDITED: Lear	DATE: 2011.03.22

DWG. NO. △△	GPEC109-CA4CB
PART NO. △	GPEC109-XXXXA004C1BX

TITLE.	1.27 PIN HEADER SINGLE ROW SMT TYPE BASE 1.50H
--------	--