



T H E R M O M E T R I C S
A C O M M I T M E N T T O E X C E L L E N C E

NTC Type NDM

Thermometrics Epoxy-Coated Chip Thermistor



Description

A range of epoxy-coated chips with bare 0.007 in (0.2 mm) tinned copper lead wires.

Features

- Designed for accurate temperature measurement, control and compensation
- Tight tolerances on resistance and B value
- Operation up to 311°F (155°C) with excellent stability
- Small body size
- Fast response
- Epoxy resin provides voltage insulation
- Suitable for automotive, HVAC and white goods applications
- RoHS compliant

Amphenol
Advanced Sensors

Type NDM Specifications

Epoxy-coated chip thermistor

R25 Ω	Material System	B Value 25/85°C K	Maximum Operating Temperature °F (°C)	Code R25°C ± 1%	Code R25°C ± 2%	Code R25°C ± 3%	Code R25°C ± 5%	Code R25°C ± 10%
1000	2	3540 ± 1%	257 (125)	NDM102C2R1	NDM102C2R2	NDM102C2R3	NDM102C2R5	NDM102C2R10
2000	2	3540 ± 1%	257 (125)	NDM202C2R1	NDM202C2R2	NDM202C2R3	NDM202C2R5	NDM202C2R10
5000	2	3540 ± 1%	257 (125)	NDM502C2R1	NDM502C2R2	NDM502C2R3	NDM502C2R5	NDM502C2R10
1000	2A	3627 ± 1%	257 (125)	NDM102C2AR1	NDM102C2AR2	NDM102C2AR3	NDM102C2AR5	NDM102C2AR10
2000	2A	3627 ± 1%	257 (125)	NDM202C2AR1	NDM202C2AR2	NDM202C2AR3	NDM202C2AR5	NDM202C2AR10
5000	2A	3627 ± 1%	257 (125)	NDM502C2AR1	NDM502C2AR2	NDM502C2AR3	NDM502C2AR5	NDM502C2AR10
2700	1	3977 ± 0.75%	311 (155)	NDM272C1R1	NDM272C1R2	NDM272C1R3	NDM272C1R5	NDM272C1R10
5000	1	3977 ± 0.75%	311 (155)	NDM502C1R1	NDM502C1R2	NDM502C1R3	NDM502C1R5	NDM502C1R10
10000	1	3977 ± 0.75%	311 (155)	NDM103C1R1	NDM103C1R2	NDM103C1R3	NDM103C1R5	NDM103C1R10
30000	1	3977 ± 0.75%	311 (155)	NDM303C1R1	NDM303C1R2	NDM303C1R3	NDM303C1R5	NDM303C1R10
50000	1	3977 ± 0.75%	311 (155)	NDM503C1R1	NDM503C1R2	NDM503C1R3	NDM503C1R5	NDM503C1R10
10000	4A	3436 ± 1%	311 (155)	NDM103C4AR1	NDM103C4AR2	NDM103C4AR3	NDM103C4AR5	NDM103C4AR10
12000	5	3740 ± 1%	257 (125)	NDM123C5R1	NDM123C5R2	NDM123C5R3	NDM123C5R5	NDM123C5R10

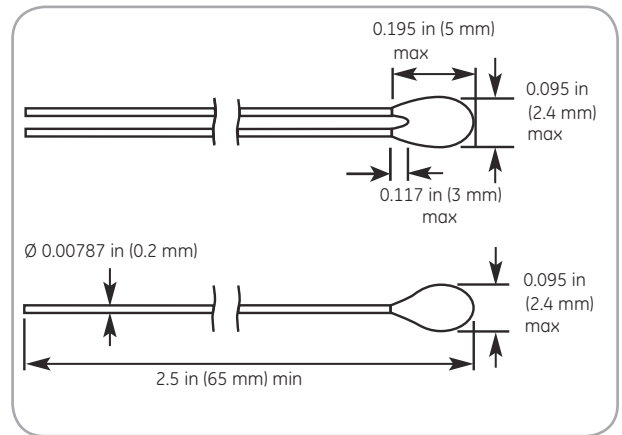
See separate tables for resistance - temperature data.

Options

- Other resistance values within the ranges shown; e.g., code NDM152C2R1 for 1500 Ω ± 1% at 77°F (25°C) in the range of 32°F (0°C) up to the maximum operating temperature
- Reference temperatures
- Wire lengths 1.181 in to 23.62 in (30 mm to 600 mm) (± 1 mm or ± 2%, whichever is the greater)
- Other wire materials

Data

- Operating temperature range: -40°F to 311°F (-40°C to 155°C)
- Thermal time constant: <10s
- Dissipation factor: 2.2 mW/K
- Voltage insulation: 500 VDC



NTC Type NDM Dimensions