



T H E R M O M E T R I C S
A C O M M I T M E N T T O E X C E L L E N C E

NTC Type JR

Chip Thermistor In Eyelet Tag



Features

- Suitable for surface temperature measurement
- Sensing element electrically isolated from tag
- Two standard resistance values: 10 k Ω & 20 k Ω nominal at 77°F (25°C)
- Eyelets to fit M3, M4 & M5 screw sizes
- Range of wire lengths 1.97 in to 78.74 in (50 mm to 2000 mm) (dimension WL in diagram on page 2)
- Typical applications include semiconductor heatsinks, enclosure panels

Amphenol
Advanced Sensors

Type JR Specifications

Description

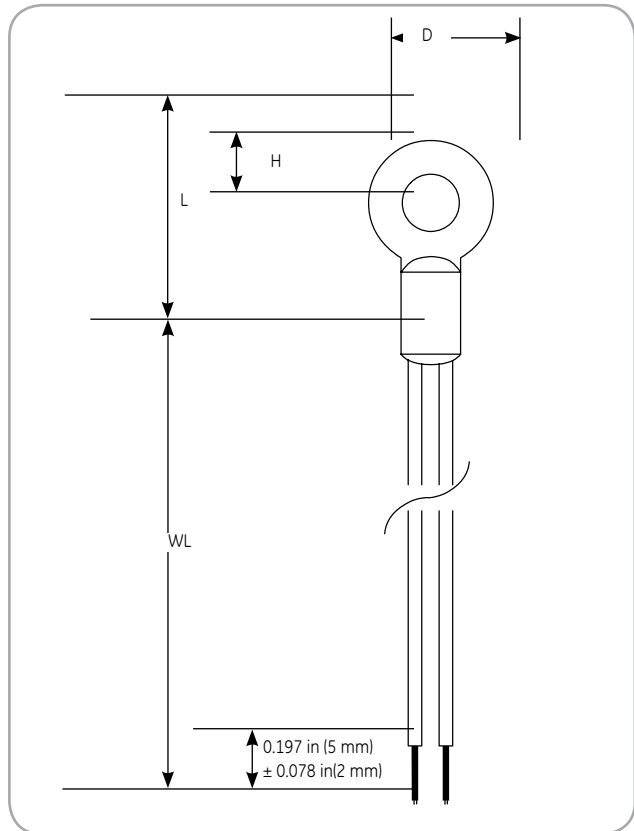
NTC chip thermistor with insulated flexible wires and housed in an eyelet tag.

Options

- Other resistance - temperature characteristics
- Other wire types

Data

- **R25:**
10 K Ω \pm 5% (JR103R5MxLxxx) 20 K Ω \pm 5% (JR203R5MxLxxx)
- **B 25/85:**
3977 K \pm 0.75%
- **Temperature range:**
-22°F to 221°F (-30°C to 105°C)
- **Insulation resistance:**
500 VDC
- **Wire conductors:**
Tin-plated copper 7 x 0.1 mm diameter
- **Wire insulation:**
Irradiated PVC
- **Pack quantity and MOQ:**
200 pcs



NTC Type JR dimensions

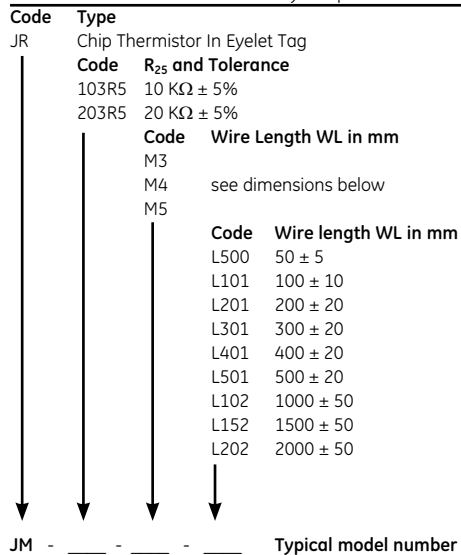
Resistance-Temperature Data For JMF942R2L251

Temperature °C	R _t /R ₂₅ Nominal Ω	Resistance Tolerance ± %	Temperature Tolerance ± °C
-20	9.6807	6.80	1.17
-15	7.2809	6.58	1.17
-10	5.5253	6.35	1.17
-5	4.2292	6.14	1.17
0	3.2640	5.94	1.16
5	2.5391	5.74	1.16
10	1.9902	5.54	1.16
15	1.5713	5.36	1.15
20	1.2493	5.18	1.15
25	1.0000	5.00	1.14
30	0.8056	5.17	1.21
35	0.6530	5.34	1.29
40	0.5325	5.50	1.37
45	0.4367	5.65	1.45
50	0.3601	5.81	1.53
55	0.2985	5.96	1.61
60	0.2487	6.10	1.69
65	0.2082	6.24	1.78
70	0.1751	6.38	1.87
75	0.1480	6.52	1.96
80	0.1256	6.65	2.05
85	0.1070	6.77	2.15
90	0.09155	6.90	2.24
95	0.07864	7.02	2.34
100	0.06781	7.14	2.44
105	0.05868	7.26	2.54

Type JR Specifications

Ordering Information

The code number to be ordered may be specified as follows:



Eyelet size and wire length are specified by the product code: e.g. JR203R5M3L500

Eyelet Dimensions

Eyelet size	H (mm)	D (mm)	L (mm)
M3	3.2	6.4	12.3
M4	4.3	8.5	16.8
M5	5.3	8.5	16.8

Amphenol

Advanced Sensors

www.amphenol-sensors.com

© 2014 Amphenol Corporation. All Rights Reserved. Specifications are subject to change without notice.
Other company names and product names used in this document are the registered trademarks or
trademarks of their respective owners.

AAS-920-352A-04/2014