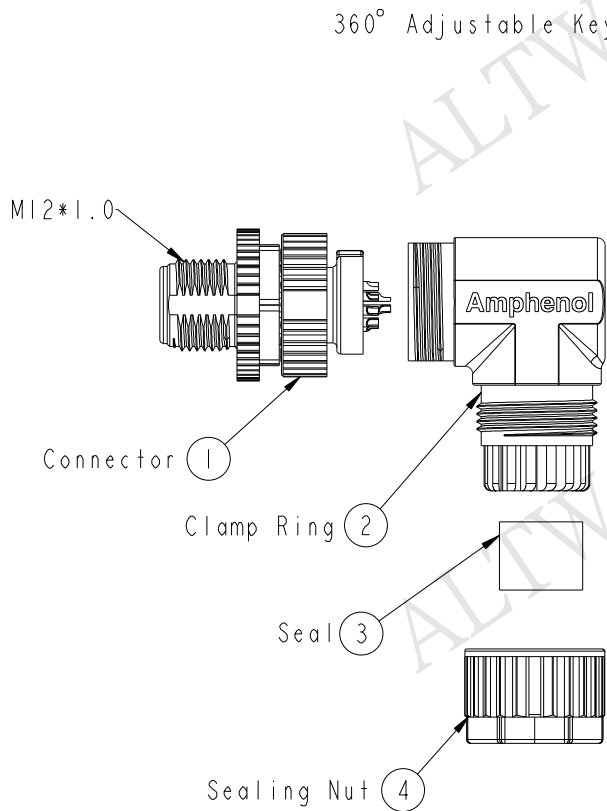
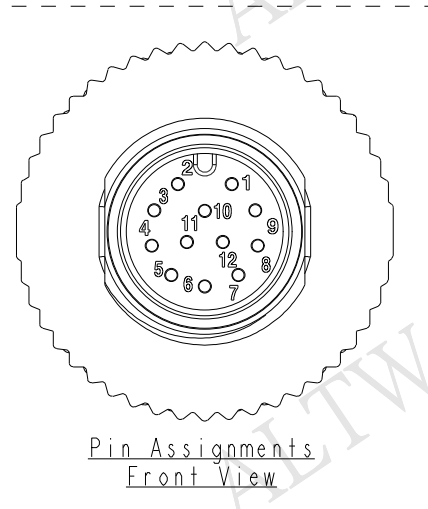


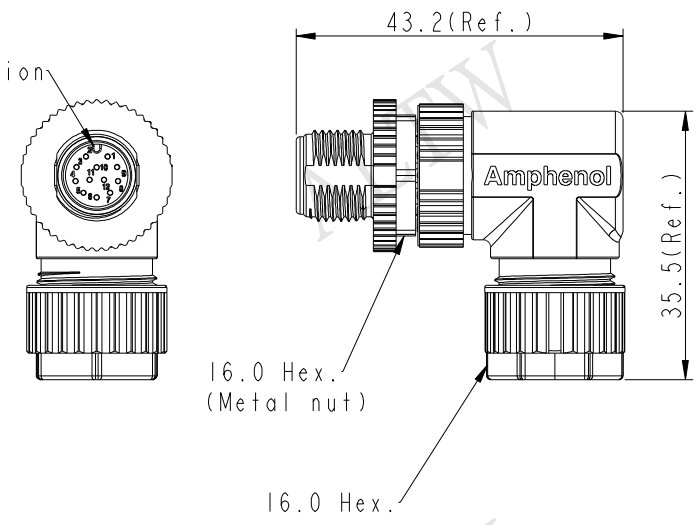
REV.	ECN NO.	DATE	SIGN	DESCRIPTION

ALTW
CONFIDENTIAL
2015-05-04
R&D DEPT.

ALTW
DCC. DEPT.
CONFIDENTIAL
2015.05.12
ISSUED



360° Adjustable Key Code Direction



- Note:
- * Ⓞ Important Dimension To Check.
 - * Waterproof Rate: IP67
 - * Housing: Nylon, Black.
 - * Male Pin: Copper Alloy, Gold Plated.
 - * Nut: PBT+PC, Black.
 - * Male Nut: Zinc Alloy, Nickel Plated.
 - * O-Ring: Silicon, Grey.
 - * Clamp Ring: Nylon, Black.
 - * Sealing Nut: PBT+PC, Black.
 - * Seal: Silicon, Grey.
 - * Seal For Cable OD: $\varnothing 4.0\text{mm} - \varnothing 7.0\text{mm}$
 - * Applicable Wire gauge (Stranded wire cross section) 26AWG~24AWG
 - * Mating Recommended tightening torque: 3~4 kgf.cm / 0.29~0.39 N.m
 - * Sealing-Nut Recommended tightening torque: 4~6 kgf.cm / 0.39~0.59 N.m
 - * Detailed applicable wire specifications may vary depending on the actual wire construction.

UNIT:mm		TITLE			ITEM NO	DRAWN BY	DATE
		M12A Unshielded Assy 90° 12Pin M Conn. M Pin			M12A-12BMMMA-SR7001	Lu Di	2015-05-04
TOLERANCE		SCALE	SIZE	SHEET	DWG NO	CHECKED BY	DATE
.X ±0.25		1:1	A4	1 OF 1	M12A-12BMMMA-SR7001	Joyy	2015-05-04
.XX ±0.1		REV.	WC-REV.	QC: Inspection item	CUSTOMER	APPROVED BY	DATE
.XXX ±0.05		A	A.1		ALTW	Jimmy	2015-05-04
ANGLES ±1°							

Amphenol LTW
安費諾亮泰企業股份有限公司

THIS DOCUMENT IS SUBJECT TO CHANGE WITHOUT NOTICE. IT IS CONFIDENTIAL AND A PROPERTY OF Amphenol LTW. DISCLOSURE TO THIRD PARTY HAS TO BE AUTHORIZED BY Amphenol LTW.