

FICX Series

Product Datasheet

FICX Series

General Specification

Number of Positions	2P, 3P & 4P
Current Rating	PG11: 30A for 2P, 20A for 3P & 4P PG12, PG13 & PGT2: 20A for 2P & 3P, 15A for 4P
Voltage Rating	450Vac/dc
Waterproof Rating	IP68 (50m, 24hrs)
Operating Temperature	-40°C ~ 105°C
Wire Section	14 ~ 18 AWG (0.75~2.5mm)
Cable OD (Seal Color)	<ul style="list-style-type: none"> ● (BL) 4.5~6.5mm ● (YW) 6.6~8.5mm ● (GN) 8.6~10.5mm ● (RD) 10.6~12.5mm (PG11/T2) 10.6~11.5mm (PG12/13)
Recommended Torque	<ul style="list-style-type: none"> ▪ Screws for wire connection: PG11 & PGT2: 1.29~2.3Kgf.cm PG12 & PG13: 1.29~2.5Kgf.cm ▪ Gland tightening: 6~8Kgf.cm

Material Specification

Gland Nut	PA6+GF, Black
Gasket (PG11 & PGT2)	Silicone, Yellow
Gland Body (PG12 & PG13)	PA66, Black
L-Gasket	Silicone, Yellow
Seal	Silicone
Gland Pipe	PA66, Black
Terminal Block Housing	PA66+GF, Black
Contact	Brass, Nickel-Plated
Screw	Stainless Steel, Nickel-Plated

Amphenol LTW

Innovation in Waterproof Solution



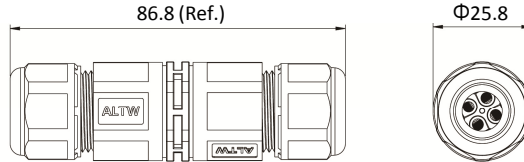
- Waterproof rating: IP68 (50m, 24hrs)
- In-house UV resistance test: 720hrs
- Accommodate a wide range of wire and cable's OD
- Quick and easy Installation
- Color identification for different seals
- Easy-grip design
- Two types of terminal block housing: screw type & end barrier screw type

FICX Series

Amphenol LTW
Innovation in Waterproof Solution

Physical Dimension | Connectors

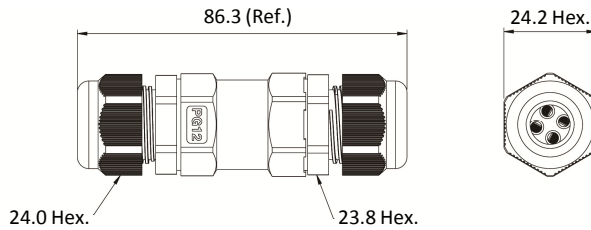
I Tube PG11 SC-L-PG11-XX-XX



Terminal Block Housing:
Screw Type

*Spanner: 24mm

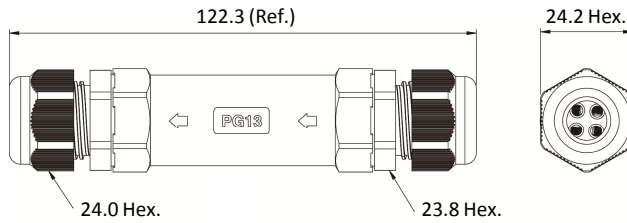
I Tube PG12 SC-L-PG12-XX-XX



Terminal Block Housing:
End Barrier Screw Type

*Spanner: 24mm

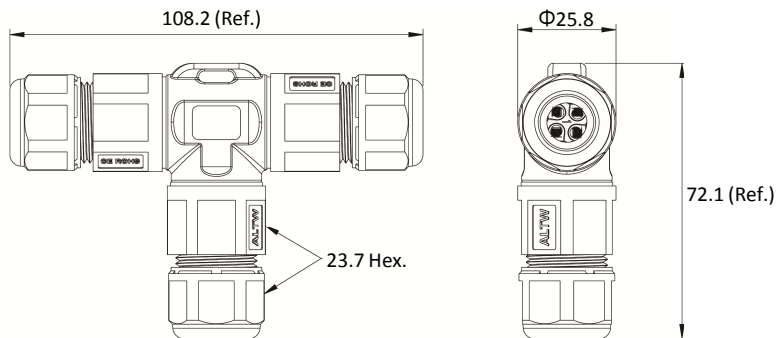
XI Tube PG13 SC-L-PG13-XX-XX



Terminal Block Housing:
End Barrier Screw Type

*Spanner: 24mm

T Tube PGT2 SC-L-PGT2-XX-XX



Terminal Block Housing:
Screw Type

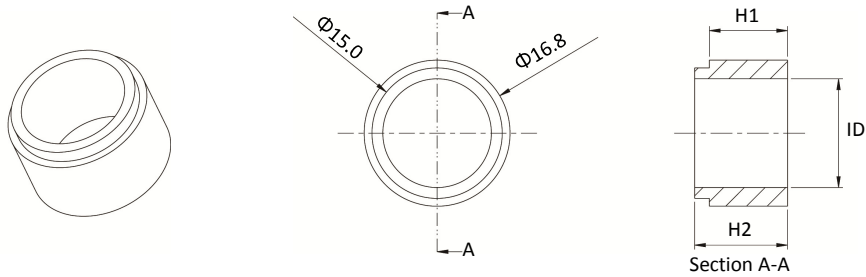
*Spanner: 24mm

FICX Series

Amphenol LTW
Innovation in Waterproof Solution

Physical Dimension | Accessories

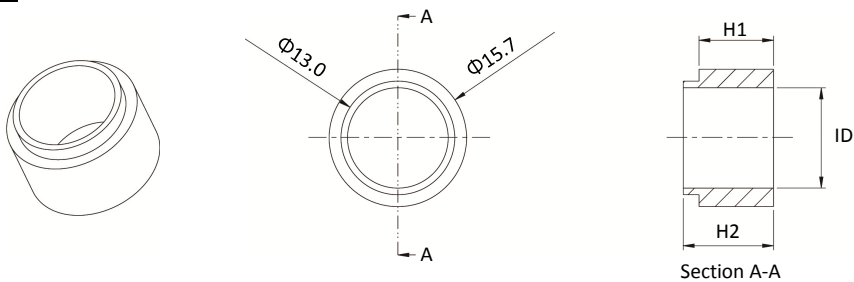
Seal for PG11 & PGT2
SC-PG-SL-XX-001



XX: Seal Color	H1	H2	ID	Cable Range
● Blue (BL)	9.0	10.7	6.5	Φ4.5 ~ Φ6.5
● Yellow (YW)	9.0	10.7	8.5	Φ6.6 ~ Φ8.5
● Green (GN)	9.0	10.7	10.5	Φ8.6 ~ Φ10.5
● Red (RD)	9.0	10.7	12.5	Φ10.6 ~ Φ12.5

Unit: mm

Seal for PG12 & PG13
SC-PG-SL-XX-002



XX: Seal Color	H1	H2	ID	Cable Range
● Blue (BL)	8.5	10.3	6.5	Φ4.5 ~ Φ6.5
● Yellow (YW)	8.5	10.3	8.5	Φ6.6 ~ Φ8.5
● Green (GN)	8.5	10.3	10.5	Φ8.6 ~ Φ10.5
● Red (RD)	8.5	10.3	11.5	Φ10.6 ~ Φ11.5

Unit: mm

FICX Series

Amphenol LTW
Innovation in Waterproof Solution

Ordering Information

SC - L - ① - ② - ③

Specification

(L) Cable Joiner, FICX Series

Shape

- (PG11) I Tube Cable Joiner (Screw Type)
- (PG12) I Tube Cable Joiner (End Barrier Screw Type)
- (PG13) Long Tube Cable Joiner (End Barrier Screw Type)
- (PGT2) T Tube Cable Joiner (Screw Type)

Number of Contacts

- (02) 2 Contacts
- (03) 3 Contacts
- (04) 4 Contacts

Cable O.D. (Seal Color)

- (00) Without Seal
- (BL) 4.5~6.5mm
- (YW) 6.6~8.5mm
- (GN) 8.6~10.5mm
- (RD) 10.6~12.5mm (PG11 & PGT2)
10.6~11.5mm (PG12 & PG13)