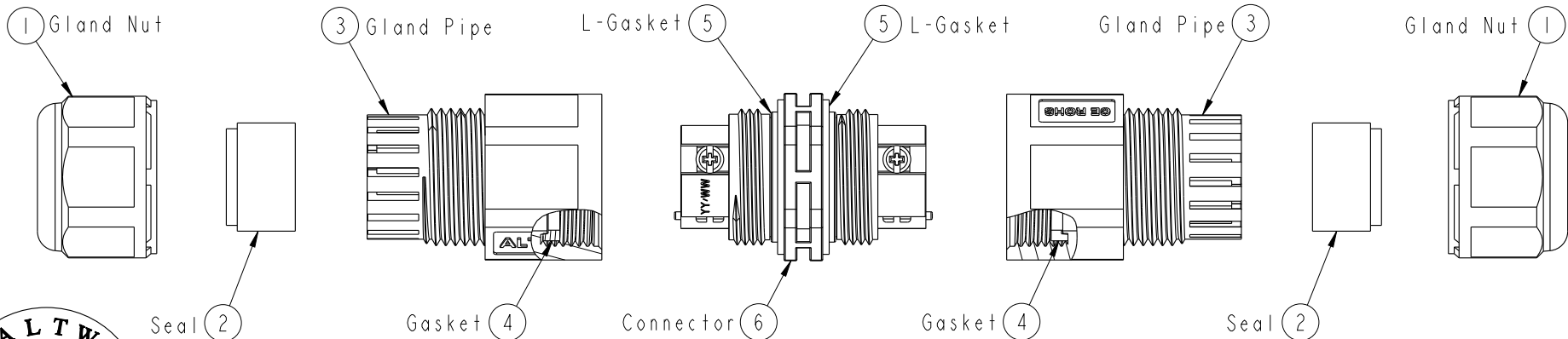


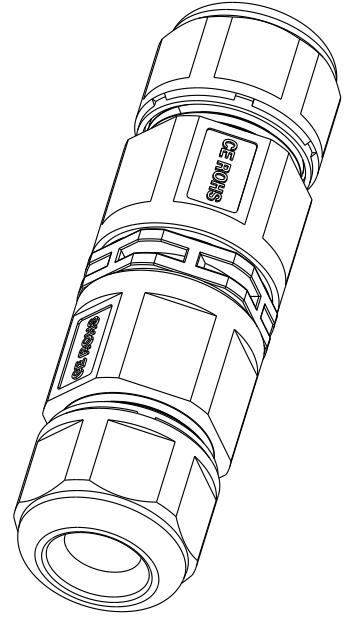
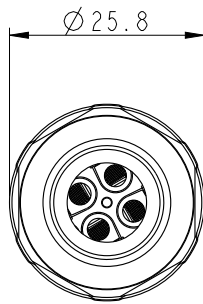
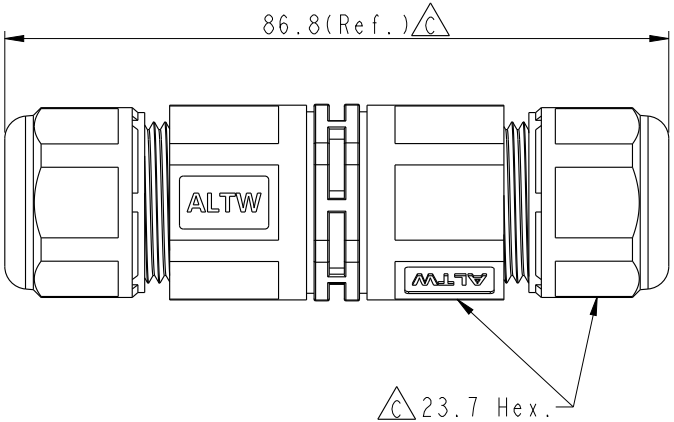
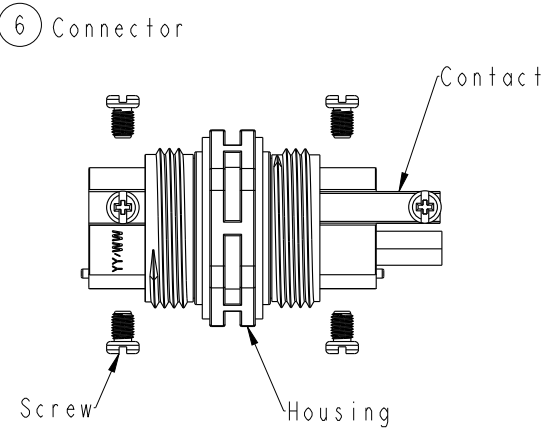
THIS DOCUMENT IS SUBJECT TO CHANGE WITHOUT NOTICE. IT IS CONFIDENTIAL AND A PROPERTY OF Amphenol LTW. DISCLOSURE TO THIRD PARTY HAS TO BE AUTHORIZED BY Amphenol LTW.

REV.	ECN NO.	DATE	SIGN	DESCRIPTION
B	LEN1650226~237	2016/04/23	Joyy	Modify The Wire Cross Section
C	LEN1681100~111	2016/07/12	Joyy	Modify The Dimensions
D	LEN1690093~104	2016/09/03	Joyy	Modify the packaging and quantity



ALTW
CONFIDENTIAL
2016-09-03
R&D DEPT.

ALTW
DCC. DEPT.
CONFIDENTIAL
2016.09.23
ISSUED



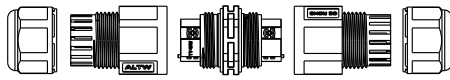
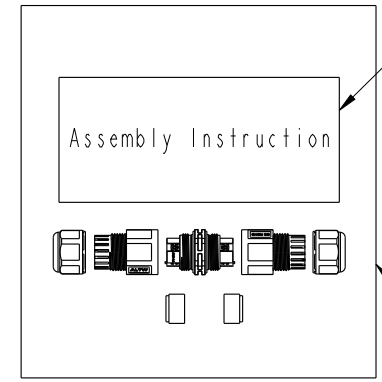
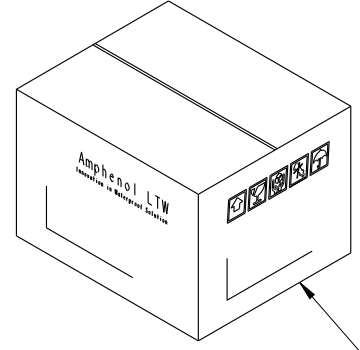
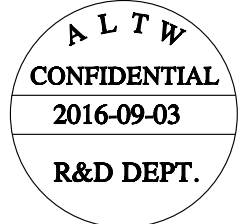

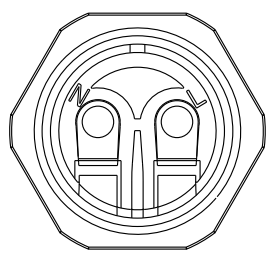
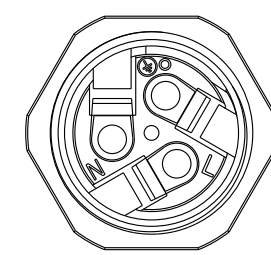
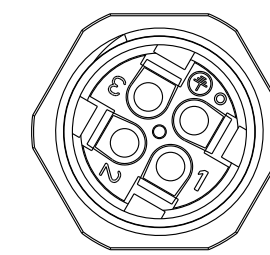
UNIT: mm		
TOLERANCE		
.X	±0.25	
.XX	±0.1	
.XXX	±0.05	
ANGLES	±1°	

TITLE PG11 Cable Joiner Screw-in Type			
SCALE 1:1	SIZE A4	SHEET 1 OF 2	
REV. D	WC-REV. A.11	☉: Inspection item	

Amphenol LTW
安費諾亮泰企業股份有限公司

ITEM NO.	DRAWN BY Joyy	DATE 2016-09-03
DWG NO. SC-L-PG11-XX-XX	CHECKED BY Ma Fei	DATE 2016-09-03
CUSTOMER ALTW	APPROVED BY Jerry	DATE 2016-09-03

THIS DOCUMENT IS SUBJECT TO CHANGE WITHOUT NOTICE. IT IS CONFIDENTIAL AND A PROPERTY OF Amphenol LTW. DISCLOSURE TO THIRD PARTY HAS TO BE AUTHORIZED BY Amphenol LTW.

D	2	3	4	5	6	7	8																												
F	 <p style="text-align: center;">QTY: 1PCS</p> <p style="text-align: center;">→</p>			 <p style="text-align: center;">QTY: 120PCS</p> <p style="text-align: center;">→</p>		 <p style="text-align: center;">QTY: 120PCS</p> <p style="text-align: center;">→</p>																													
E																																			
D	<p>SC-L-PGII-XX-XX</p> <p>L: Cable Joiner</p> <p>Type: PGII</p>			<p>Seal's Color: BL-Blue(藍色) For Cable Range: $\varnothing 4.5\sim\varnothing 6.5\text{mm}$</p> <p>YW-Yellow(黃色) For Cable Range: $\varnothing 6.6\sim\varnothing 8.5\text{mm}$</p> <p>GN-Green(綠色) For Cable Range: $\varnothing 8.6\sim\varnothing 10.5\text{mm}$</p> <p>RD-Red(紅色) For Cable Range: $\varnothing 10.6\sim\varnothing 12.5\text{mm}$</p>																															
C				<p>No. of Conductor: 02-2Poles</p> <p>03-3Poles</p> <p>04-4Poles</p>		<p>△△△ Note:</p> <ul style="list-style-type: none"> * Important Dimension To Check. * Waterproof Rate: IP68 (50M,24H) * Housing: PA66+GF, Black. * Gland Nut: PA6+GF, Black. * Gland Pipe: PA66, Black. * Contact: Brass, Nickel Plated * Gasket & L-Gasket : Silicone, Yellow. * Seal: Silicone, Blue & Yellow & Green & Red. * Rated Voltage: 2~4 Pole 450V AC * Rated Current: 2 Pole Max. 30A , 3 & 4 Pole Max. 20A. * Operating Temperature: $-40^{\circ}\sim+105^{\circ}$. * Gland Pipe Recommended Tightening Torque: 6~8 Kgf.cm(0.59~0.78 N.m) * Gland Nut Recommended Tightening Torque: 6~8 Kgf.cm(0.59~0.78 N.m) * Seal For Cable OD: $\varnothing 4.5\sim\varnothing 6.5\text{mm}$, Blue. $\varnothing 6.6\sim\varnothing 8.5\text{mm}$, Yellow. $\varnothing 8.6\sim\varnothing 10.5\text{mm}$, Green . $\varnothing 10.6\sim\varnothing 12.5\text{mm}$, Red. * Screws for Wire connection recommended tightening torque: 1.29~2.30kgf.cm / 0.127~0.226 N.m * Applicable Wire gauge (Stranded wire cross section) 0.75mm^2 (18AWG) ~ 2.5mm^2 (14AWG) 																													
B	<p>Pole Assignments Front View</p> <div style="display: flex; justify-content: space-around;"> <div style="text-align: center;">  <p>2 Pole</p> </div> <div style="text-align: center;">  <p>3 Pole</p> </div> <div style="text-align: center;">  <p>4 Pole</p> </div> </div>																																		
A	<p>UNIT:mm</p> <p>TOLERANCE</p> <table style="font-size: small;"> <tr><td>.X</td><td>±0.25</td></tr> <tr><td>.XX</td><td>±0.1</td></tr> <tr><td>.XXX</td><td>±0.05</td></tr> <tr><td>ANGLES</td><td>±1°</td></tr> </table>			.X	±0.25	.XX	±0.1	.XXX	±0.05	ANGLES	±1°	<p>TITLE: PGII Cable Joiner Screw-in Type</p> <p>SCALE: 1:1 SIZE: A4 SHEET: 2 OF 2</p> <p>REV. D WC-REV. A.11 Inspection item</p>		<h2 style="margin: 0;">Amphenol LTW</h2> <p style="margin: 0;">安費諾亮泰企業股份有限公司</p>		<table border="1" style="width: 100%; border-collapse: collapse; font-size: x-small;"> <tr> <td>ITEM NO</td> <td>DRAWN BY</td> <td>DATE</td> </tr> <tr> <td></td> <td>Joyy</td> <td>2016-09-03</td> </tr> <tr> <td>DWG NO</td> <td>CHECKED BY</td> <td>DATE</td> </tr> <tr> <td>SC-L-PGII-XX-XX</td> <td>Ma Fei</td> <td>2016-09-03</td> </tr> <tr> <td>CUSTOMER</td> <td>APPROVED BY</td> <td>DATE</td> </tr> <tr> <td>ALTW</td> <td>Jerry</td> <td>2016-09-03</td> </tr> </table>		ITEM NO	DRAWN BY	DATE		Joyy	2016-09-03	DWG NO	CHECKED BY	DATE	SC-L-PGII-XX-XX	Ma Fei	2016-09-03	CUSTOMER	APPROVED BY	DATE	ALTW	Jerry	2016-09-03
.X	±0.25																																		
.XX	±0.1																																		
.XXX	±0.05																																		
ANGLES	±1°																																		
ITEM NO	DRAWN BY	DATE																																	
	Joyy	2016-09-03																																	
DWG NO	CHECKED BY	DATE																																	
SC-L-PGII-XX-XX	Ma Fei	2016-09-03																																	
CUSTOMER	APPROVED BY	DATE																																	
ALTW	Jerry	2016-09-03																																	
	2	3	4	5	6	7	8																												