

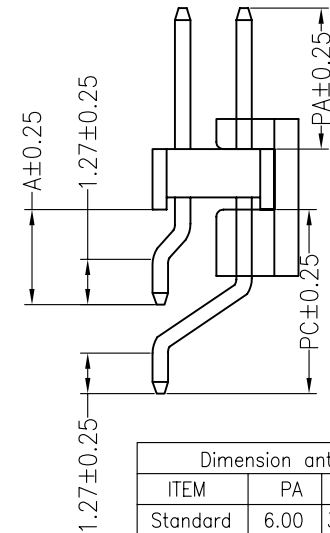
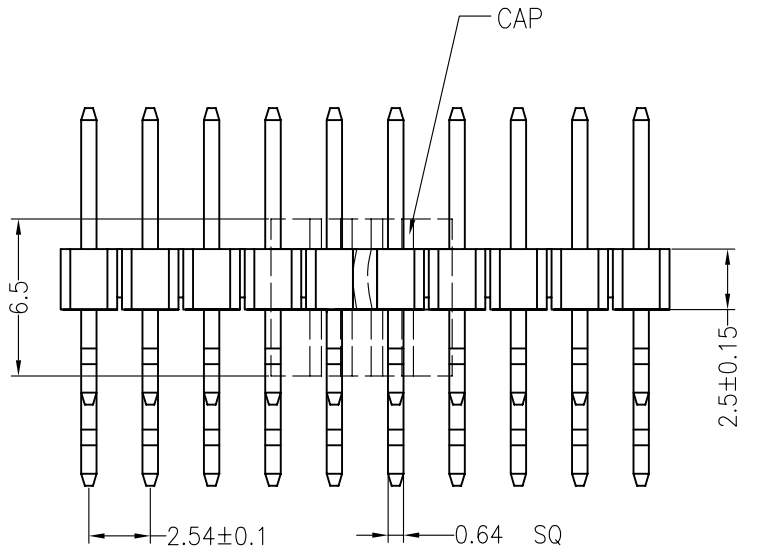
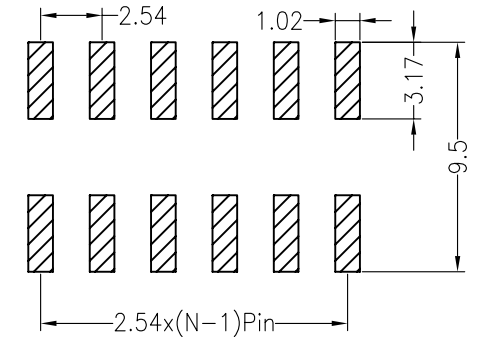
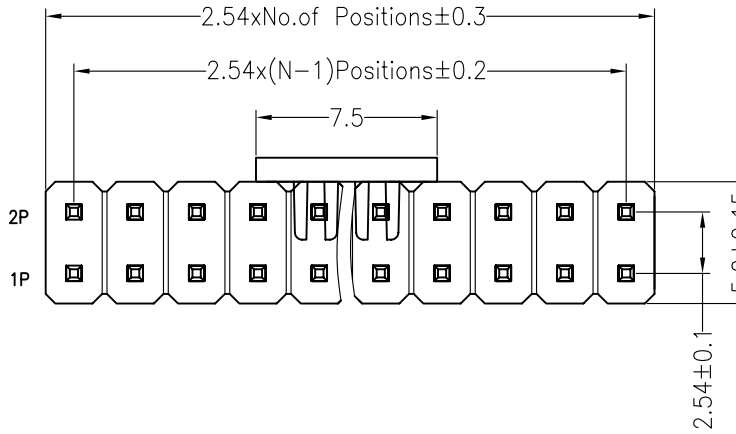
SPECIFICATIONS

Rated Current: 3.0A
 Contact Resistance: 20mOhm Max
 Withstand Voltage: 1000V AC/DC
 Insulation Resistance: 1000MOhm Min
 Operation Temperature: -40°C to +105°C


Contact Material: Brass
 Contact Plating: Au or Sn over Ni
 Insulator Material: Polyester(UL94V-0)
 Standard: PA6T

Max.Processing Temp: 230°C for 30-60 seconds
 (260°C for 5 seconds)

Recommended P.C.B Layout(Top Side)
 (PCB BOARD TOLERANCE ± 0.05)



Dimension antitheses list				
ITEM	PA	A	PC	L
Standard	6.00	3.94	8.50	12.5/19.0
Alternate				

				OPERATION		DRAW		SCALE		FIT		<h1>CONNTERM</h1>			
				X.X	±0.30			UNIT	mm						
				X.XX	±0.20	CHECK		SIZE	A4						
				X.XXX	±0.10			SHEET	1/1						
				Angle	±3°	APPROVE		PROJ.		PART NO.		PLTD40R-JL			
REV	DATE	MODIFICATION DESCRIPTION		CHANGE	DIM	TOL					TITLE:		2.54PH 2xNpin H2.5mm 90° SMT		
1		2	3	4	5	6	7	8	9						