

## DETAILS

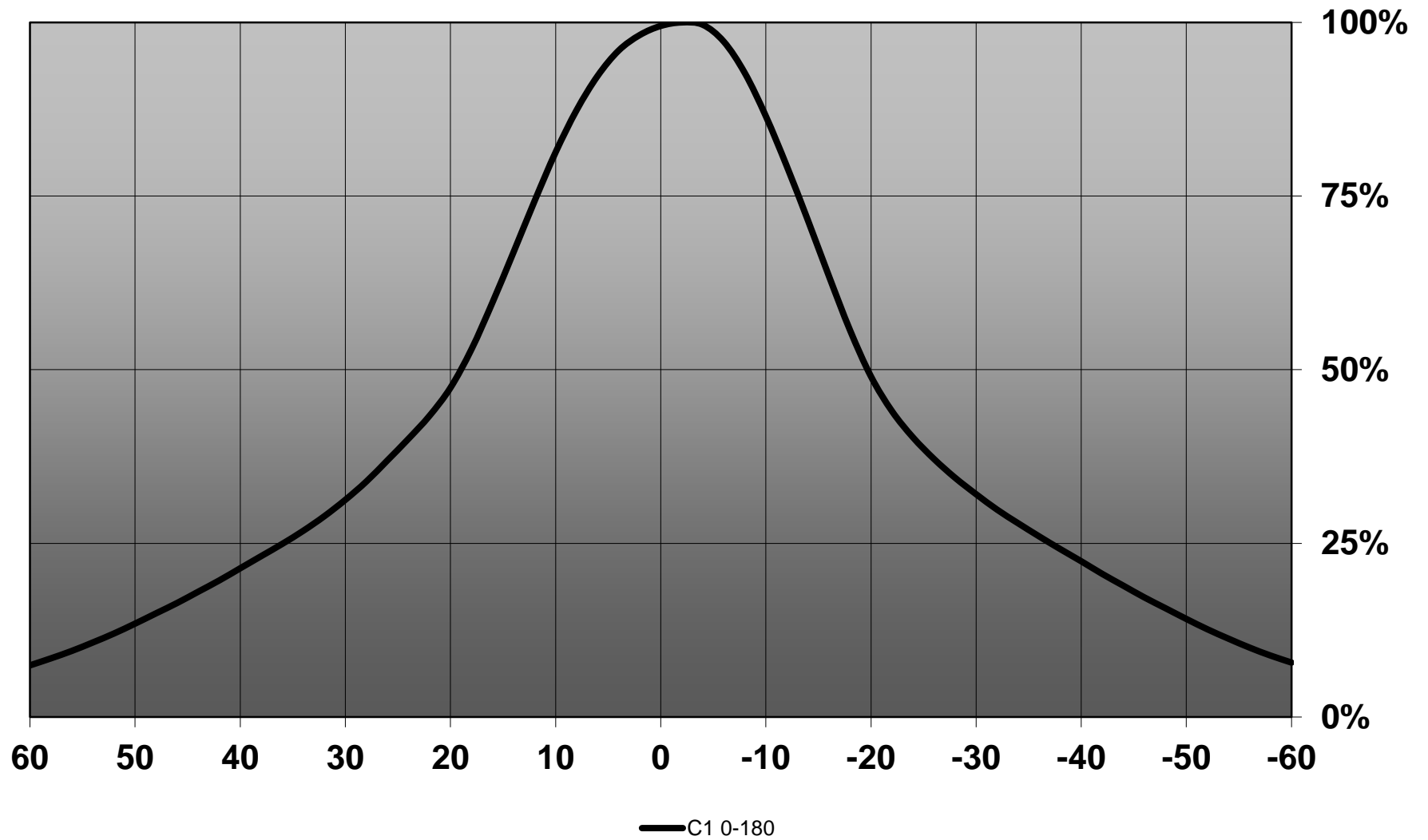
<b>Product Number</b>	CA14557_REBECCA-RGB-WW
<b>Family</b>	Rebecca
<b>Type</b>	Assembly
<b>Color</b>	white
<b>Diameter</b>	42 mm
<b>Height</b>	29,9 mm
<b>Style</b>	round
<b>Optic Material</b>	PMMA
<b>Holder Material</b>	
<b>Fastening</b>	tape
<b>Status</b>	production ready
<b>ROHS Compliant</b>	Yes
<b>Date Updated</b>	18/07/2016

## OPTICAL PROPERTIES

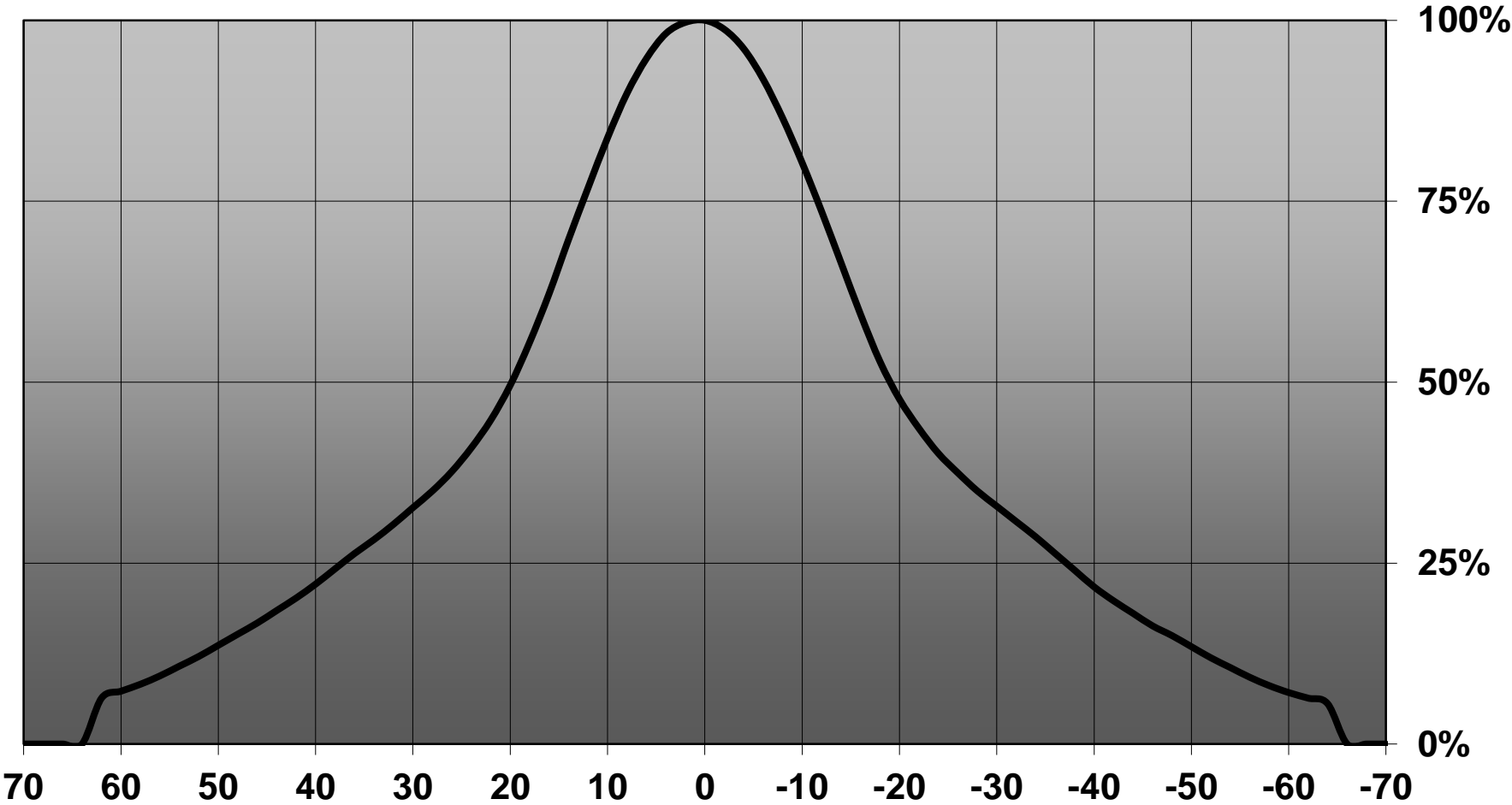
LED	Viewing Angle	Light Beam	Efficiency	cd/lm	Connector
XM-L RGB	38 deg	Very Wide	69 %	0.980	-
XQ-E HI RGBW	39 deg	Very Wide	69 %	0.760	-
LUXEON C RGBW	43 deg	Very Wide	67 %	0.650	-



Relative intensity of CA14557\_REBECCA-**RGB-WW**\_(XM-L RGB(W))



Relative intensity of CA14557\_REBECCA-**RGB-WW**\_(XQ-E\_HI\_RGBW)



D

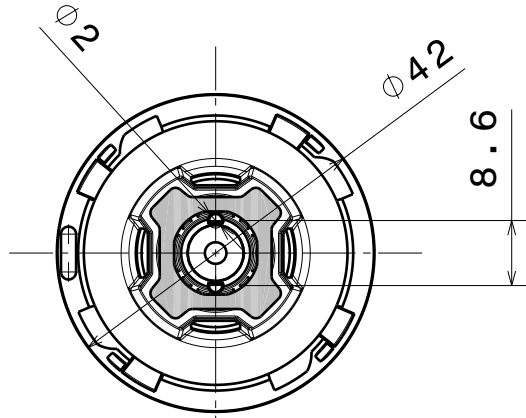
C

B

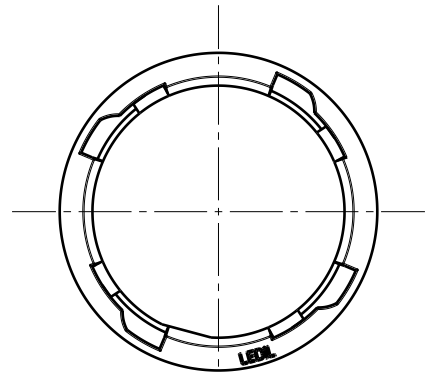
A

4

4



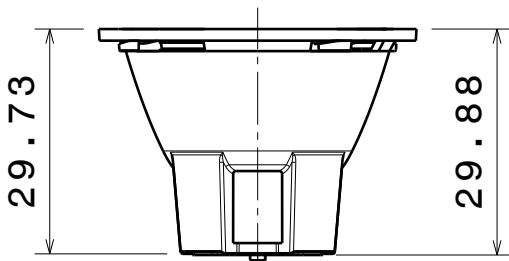
Bottom view



Top view

3

3



Front view

2

2

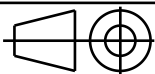
INDEX	PART NO	DESCRIPTION	MATERIAL	COLOUR
1	C14524	REBECCA-RZ-WW	PMMA	
2	C13910	REBECCA-RGB-HLD	PC	white
3	C11269	HEIDI-TAPE	adhesive foam tape	

Tolerances if not otherwise shown  
 According to DIN ISO 2768-1  
 Linear measures:  
 Up to 30mm class M, otherwise class C.  
 According to DIN ISO 2768-2  
 Form and position: class L



Ledil Oy  
 Salorankatu 10  
 FIN 24240 SALO  
 Finland

THIRD ANGLE PROJECTION:



DRAWING TITLE

CA14557\_REBECCA-RGB-WW MechanicalDrawing

This drawing is the property  
 of LEDiL Oy. It may not be  
 reproduced, copied or  
 communicated without a written  
 agreement with LEDiL Oy."

SIZE

PART NUMBER

A4

CA14557

SCALE

1:1

WEIGHT

-

SHEET

1/1

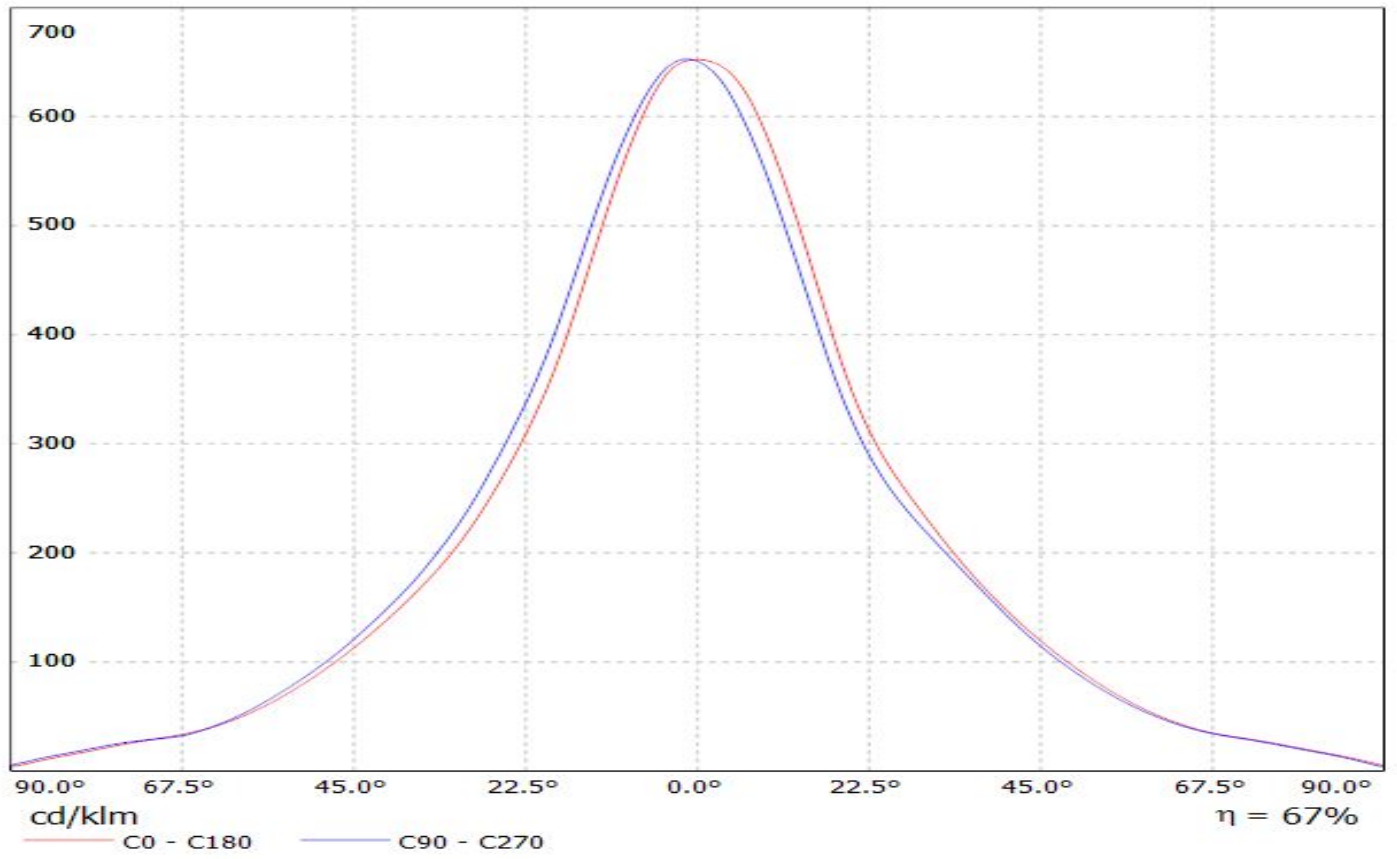
1

1

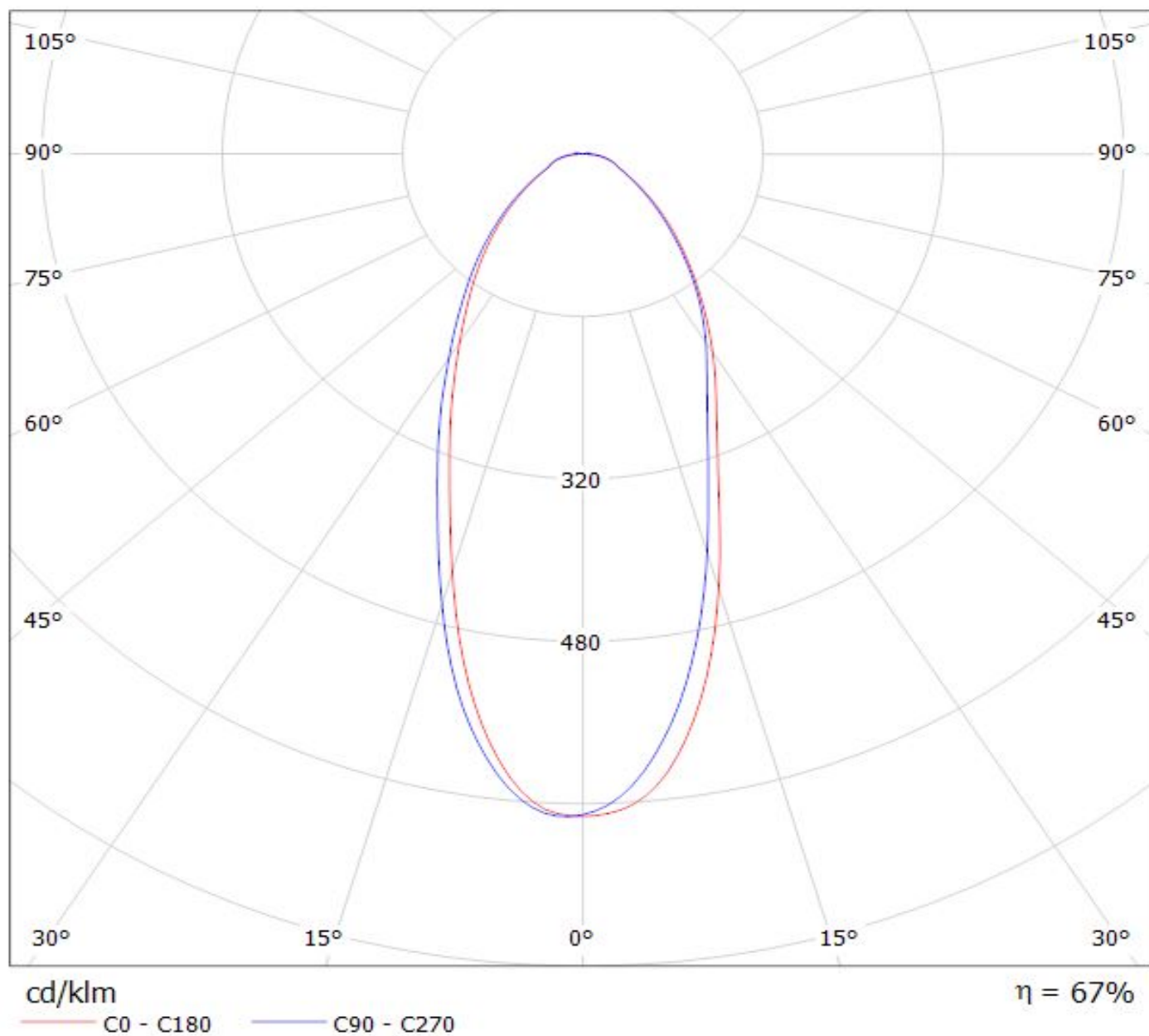
D

A

Luminaire: LEDiL Oy CA14557\_REBECCA-RGB-WW\_(Luxeon\_C\_RGBW)  
Lamps: 1 x Luxeon\_C\_RGBW\_208.984lm@250mA\_P=2.5474W\_I=0.250A



Luminaire: LEDiL Oy CA14557\_REBECCA-RGB-WW\_(Luxeon\_C\_RGBW)  
Lamps: 1 x Luxeon\_C\_RGBW\_208.984lm@250mA\_P=2.5474W\_I=0.250A



**NOTE: The typical divergence will be changed by different color, chip size and chip position tolerance. The typical total divergence is the full angle measured where the luminous intensity is half of the peak value.**