

IDS-342GT

➔ **Industrial 4-port secure serial to Ethernet device server with 4xRS-232/422/485 and 2x10/100/1000Base-T(X)**

Features

- Operating Modes: Virtual Com, Serial Tunnel, TCP Server, TCP Client, UDP, Modbus Gateway
- Redundant multiple host devices:
5 host devices: Virtual COM, TCP Server, TCP Client mode;
4 IP ranges: UDP
- Support Modbus Gateway : Modbus TCP, Modbus RTU, Modbus ASCII
- Security: SSL data encryption; secured management by HTTPS and SSH
- Event Warning by Syslog, SNMP trap, Relay and Beeper
- Configurable by Web-based and Windows utility (**DS-Tool**)
- Various Windows O.S. supported:
Windows NT/2000/ XP/ 2003/VISTA(32/64bit)/ Windows 7(32/64bit)



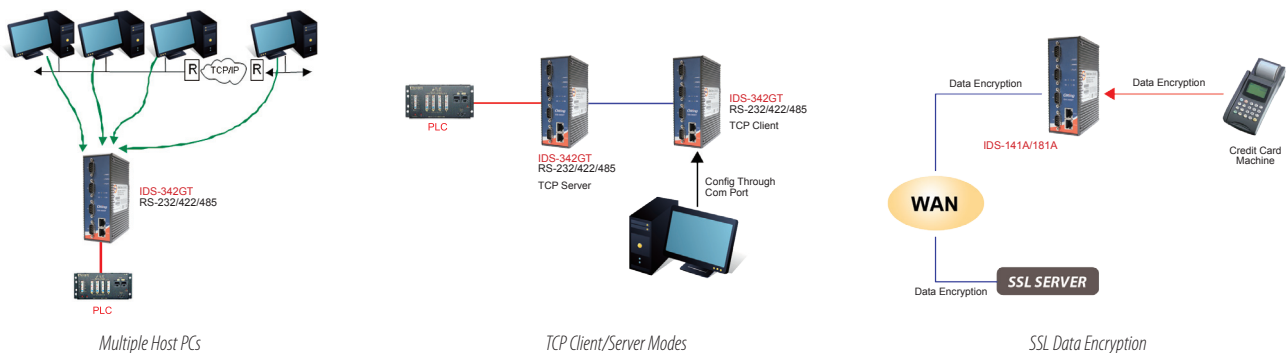
Introduction

IDS-342GT is an innovative secure 4 port RS-232/422/485 to 2 ports Gigabit Ethernet secure device server with standard features of device server, such like TCP/IP interface and versatile operation modes: Virtual Com, Serial Tunnel, TCP Server, TCP Client, and UDP. In addition, the Windows utility, DS-Tool, could configure multiple devices and set up the mappings of Virtual Com. On the other hand, IDS-342GT can simultaneously transfer data up to 5 redundant host PCs to avoid Ethernet connection breakdown or any host PC fails. Further, IDS-342GT features HTTPS, SSH, and SSL encryption to assure the security of critical data transmission.

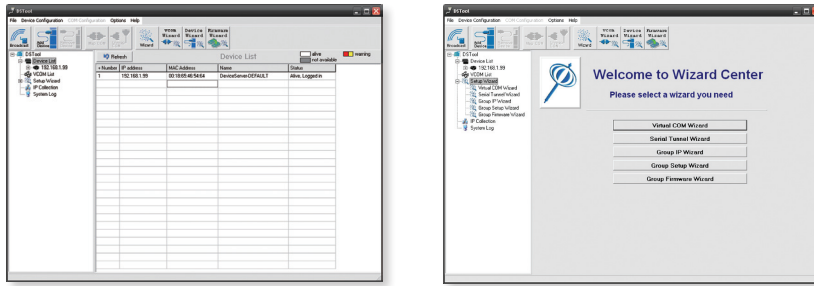
IDS-342GT supports RS-232/422/485 and provides dual redundant power inputs, 12~48 VDC, on terminal block to guarantee a non-stop operation. With wide operating temperature, -40~70°C, and rugged IP-30 housing design, IDS-342GT series could operate in the harsh industrial environment. Therefore, IDS-342GT is the best solution to the high demand of secure serial to Ethernet critical data communication.

Practical Operation

In practical operation of serial device servers, Windows utility (DS-Tool) is supported. This utility is very helpful for you to manage and monitor all of industrial device servers on the industrial network.

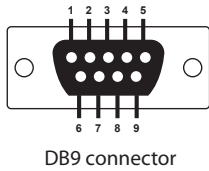


Industrial Ethernet Switch
Industrial Media Converter
Industrial Device Server
Industrial Wireless Access Point
Industrial Cellular VPN Router
Industrial M2M Gateway
Accessories
Network Management Software



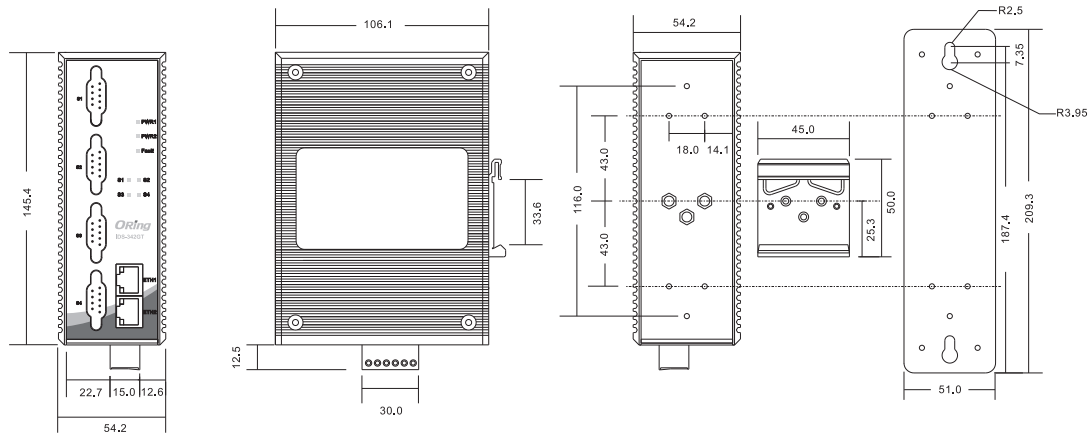
DS-Tool (Windows Utility): Monitoring and Configuration interface

Pin Definition



Pin #	RS-232	RS-422	RS-485 (4 wire)	RS-485 (2 wire)
1	DCD	TX-	TX-	DATA -
2	RXD	TX+	TX+	DATA +
3	TXD	RX+	RX+	
4	DTR	RX-	RX-	
5	GND	GND	GND	
6	DSR			
7	RTS			
8	CTS			
9	RI			

Dimensions



Unit=mm

Specifications

ORing Switch Model	IDS-342GT
Physical Ports	
10/100/1000 Base-T(X) Ports in RJ45 Auto MDI/MDIX	2
Serial Ports	
Connector	DB9 x 4
Operation Mode	RS-232/422/485
Serial Baud Rate	110 bps to 921.6 Kbps
Data Bits	7, 8
Parity	odd, even, none, mark, space

Stop Bits	1, 1.5, 2
RS-232	TxD, RxD, RTS, CTS, DTR, DSR, DCD, RI, GND
Flow Control	XON/XOFF, RTS/CTS, DTR/DSR
Network Protocol	
Protocol	ICMP, IP, TCP, UDP, DHCP, BOOTP, SSH, DNS, SNMP V1/V2c, HTTPS
LED indicators	
Power indicator	PWR 1(2) / Ready: Green On: Power is on and functioning Normally.
10/100/1000 RJ45 port indicator	Top Green for port Link at 1000Mbps, Amber for port Link at 100Mbps, off for port Link at 10Mbps Bottom Green for port Link/Act
Serial TX / RX LEDs:	Red: Serial port is receiving data Green: Serial port is transmitting data
Power	
Redundant Input power	Dual DC inputs. 12-48VDC on 6-pin terminal block
Power consumption (Typ.)	6.96W
Overload current protection	Present
Reverse polarity protection	Present on terminal block
Physical Characteristic	
Enclosure	IP-30
Dimension (W x D x H)	54.2(W)x106.1(D)x145.4(H) mm (2.13x4.18x5.72 inch.)
Weight (g)	740g
Environmental	
Storage Temperature	-40 to 85°C (-40 to 185°F)
Operating Temperature	-10 to 60°C (14 to 140°F)
Operating Humidity	5% to 95% Non-condensing
Regulatory approvals	
EMI	FCC Part 15, CISPR (EN55022) class A
EMS	EN61000-4-2 (ESD), EN61000-4-3 (RS), EN61000-4-4 (EFT), EN61000-4-5 (Surge), EN61000-4-6 (CS), EN61000-4-8, EN61000-4-11
Shock	IEC60068-2-27
Free Fall	IEC60068-2-32
Vibration	IEC60068-2-6
Safety	EN60950-1
Warranty	5 years

Ordering Information

IDS-3 **A** **B** **CC**

Code Definition	Serial Port Type	Serial Port Number	Ethernet port Number	Ethernet port Type
Option	- 1: RS-232 - 2: RS-422/485 - 3: RS-232/422/485	- 4: 4 ports	- 2: 2 ports	-GT: Gigabit Ethernet

Available Model	Model Name	Description
	IDS-342GT	Industrial 4-port secure serial to Ethernet device server with 4xRS-232/422/485 and 2x10/100/1000Base-T(X)

Packing List	Optional Accessories
<ul style="list-style-type: none"> IDS-342GT x 1 CD x 1 Quick Installation Guide x 1 	<ul style="list-style-type: none"> DR-45 series : 45 Watts power supply DR-120 series : 120 Watts power supply DR-75 series : 75 Watts power supply

Industrial Ethernet Switch

Industrial Media Converter

Industrial Device Server

Industrial Wireless Access Point

Industrial Cellular VPN Router

Industrial M2M Gateway

Accessories

Network Management Software