

CONNTHERM

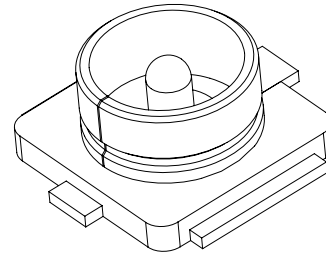
RF-IPX125-1G-Au

1、Scope

The product described in this paper is a SMT Type Micro Coaxial RF Receptacle, whose part name in our comply is USS RF REC..It is special for Microstrip-to-Coaxial adapter in RF circuit, Such as Mobile Phone, Wireless Net, MiniPCI, Bluetooth, PDA, GPS, Electric Measurement Instruments and so on.

2、Technical Parameters

- 2.1 Rated Voltage 60VAC (R. M. S)
- 2.2 Frequency Range 0~6GHz
- 2.3 Character Impedance 50Ω
- 2.4 Operate Temperature -40°C ~ +90°C
- 2.5 Operate Humidity 90% MAX



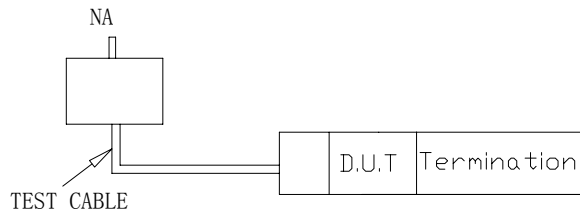
3、Electric Performance

- 3.1 Dielectric Resistance 500MΩ
- 3.2 Dielectric Withstand Voltage 200V AC 1Min
- 3.3 Contact Resistance
  - 3.3.1 Inner Contact Initial : 20 mΩ max
  - 3.3.2 Outer Contact Initial : 10 mΩ max

3.4 VSWR

0~6GHz
1.3 max

3.4.1 Test Method:



4、Mechanical Performance

- 4.1 Durability 100 Cycles
- 4.2 Shock Acceleration: 735m/s<sup>2</sup>, 11ms (Time), Waveform: Half-wave waveform, 6 Cycles In Each X-Y-Zaxis
- 4.3 Vibration Frequency: 10-100Hz, single amplitude of 1.5mm, acceleration of 59m/s<sup>2</sup>. for 5cycles in the direction of each of the 3axis.

CONNTHERM

RF-IPX125-1G-Au

5、Enviroment Performance

5.1 Temperature & Humidity Cycling

TEM.: 60°C Relative Humidity: 95% RH Time: 96 hours

5.2 Salt spray

Temp.: 35°C Conduction: 5% Time: 48 hours

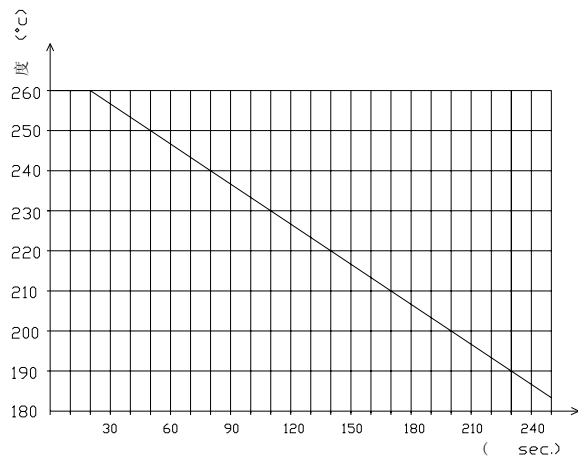
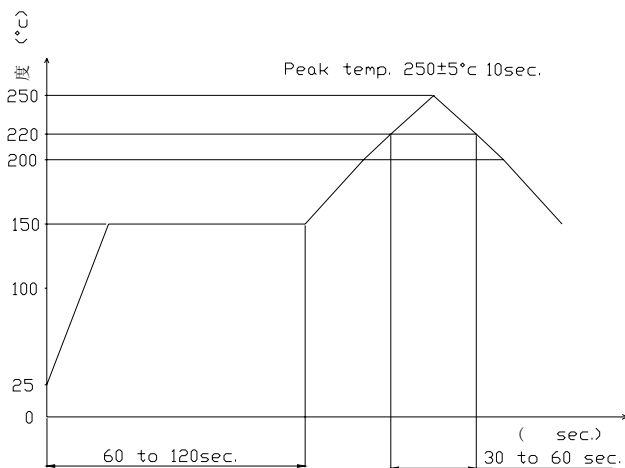
5.3 Solderability

The Sn Immersed Area must beyond by 95%.

6、SMT Temperature Curve

6.1 Recommanded tem.&time relative curve of Re-flow.

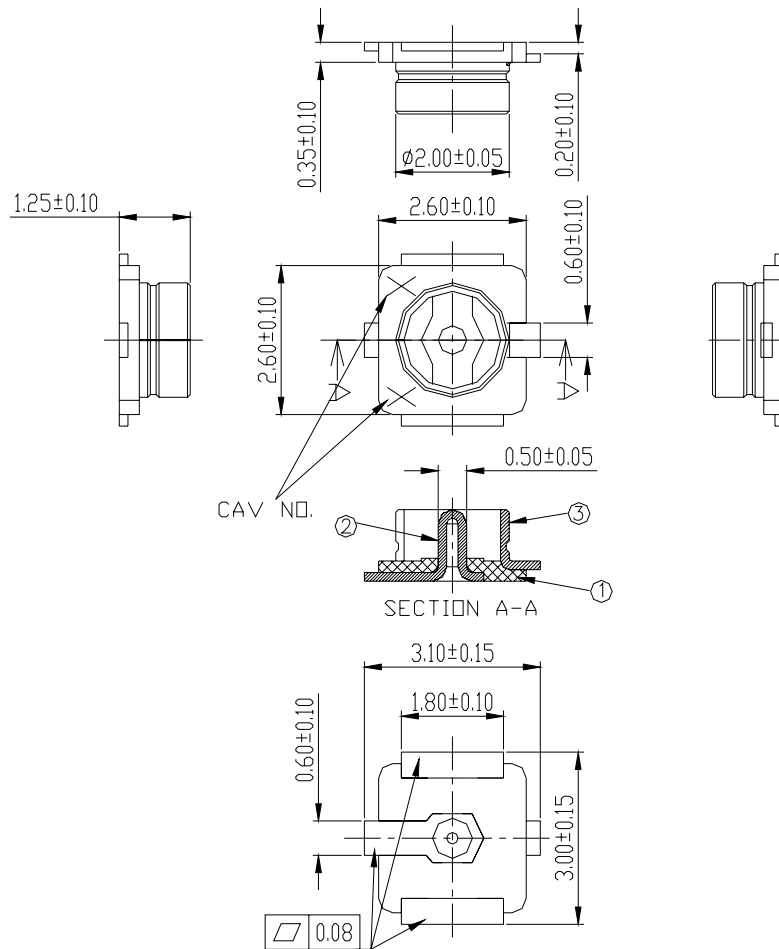
6.2 Extremed tem.&time curve of Re-flow



CONNTHERM

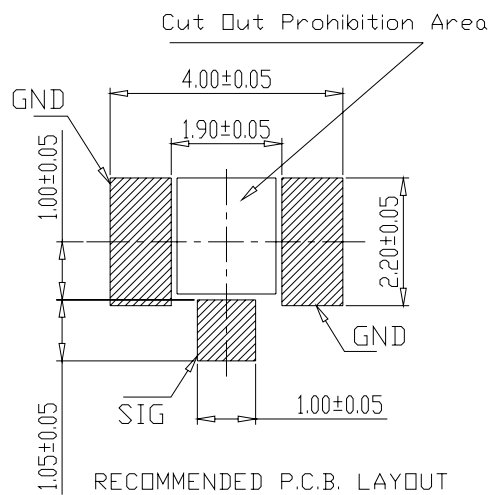
RF-IPX125-1G-Au

7、Profile Dimensions



②	SHELL	1	COPPER ALLOY/GOLD PLATED OVER Ni
②	CONTACT	1	COPPER ALLOY/GOLD PLATED OVER Ni
①	HOUSING	1	HIGHT TEMP. PLASTIC UL94V-0/BLACK
ITEM	PART NAME	Q'TY	MATERIAL/FINISH

8、PCB LAYOUT



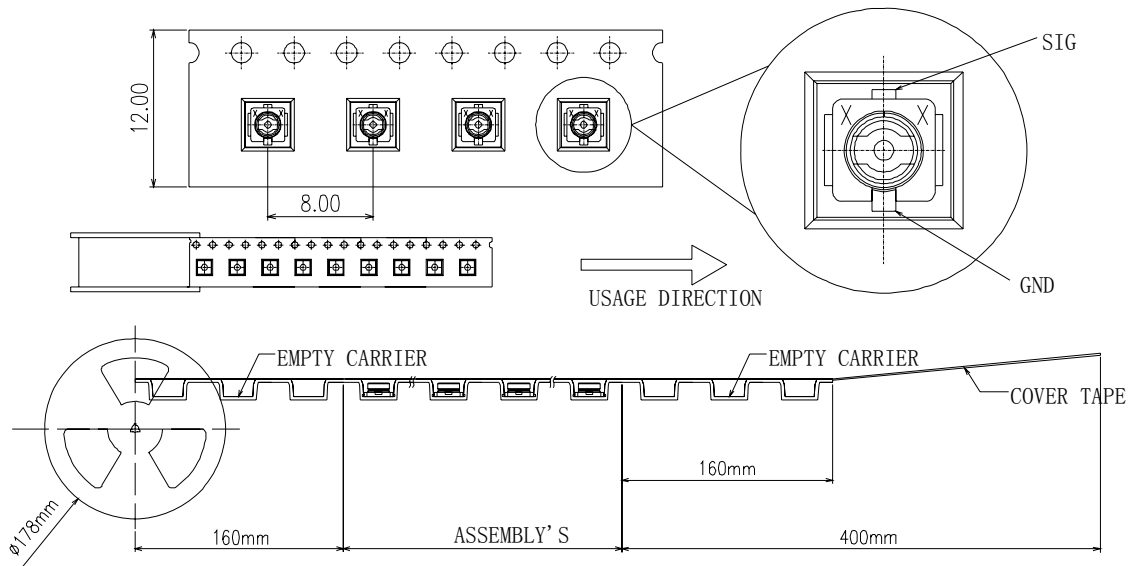
RECOMMENDED P.C.B. LAYOUT

CONNTERM

RF-IPX125-1G-Au

9 Packaging SPEC.

9.1 Tape Assembly Method and the volume is 1000Pcs per Reel ( $\Phi 178\text{mm}$ )



10 Storage Condition

Temperature:  $-10^{\circ}\text{C} - +40^{\circ}\text{C}$

Relative Humidity: 15 - 85 % RH

Life: Half Year.