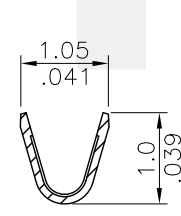
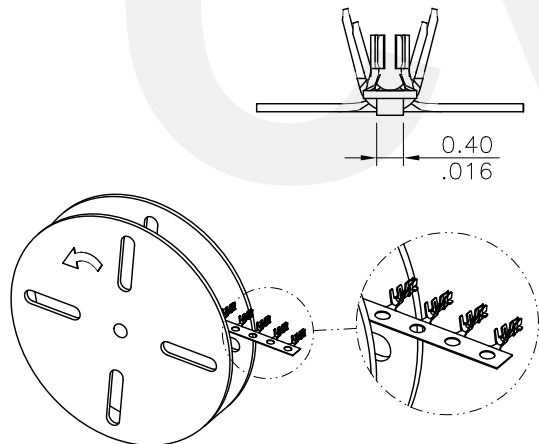


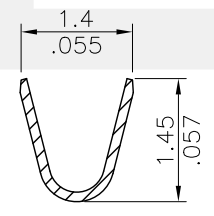
Wire Range	Insulation Diameter	Reel Q'ty
AWG #28~#32	0.65~0.92(mm)	16,000 PCS.

Ordering Code:  
 CI14 T01 1 P E 0  
 ① ② ③ ④ ⑤ ⑥

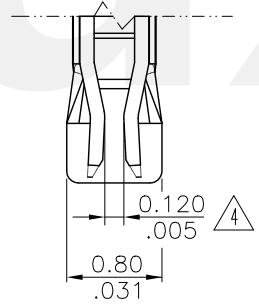
- ① Series No.
- ② Type: T01= AWG #28~ #32
- ③ Plating: 1= Tin Plated over Cu
- ④ Material: P= Phosphor Bronze
- ⑤ Plating method: E= Pre-tinned
- ⑥ Option: 0= Standard



SEC. A-A  
SCALE 10/1



SEC. B-B  
SCALE 10/1



DETAIL C  
SCALE: 15/1

電鍍後捲料方向

RoHS Compliant

4	Tim	05/10-10'	ECN10155		DATE	5/10-10'	UNIT: mm / inch	TITLE: FOR CI14 SERIES CRIMP TERMINAL  MATERIAL:  FINISH:	
3	Eager	09/03-09'	ECN09452		DRAWN BY:	Tim	5/10-10'		TOLERANCE UNLESS OTHERWISE SPECIFIED
2	Eager	06/18-09'	ECN09310		ENGINEER:	Clark	5/10-10'		.X ± 0.25/.010 X: ± 1'
1	Eager	06/05-09'	Change Plating Method		CHECKED BY:	David	5/10-10'		.XX ± 0.15/.006 .X: ±
SYM	NAME	DATE	REVISIONS		APPROVED BY:	Alex	5/10-10'		.XXX ± 0.05/.002 .XX: ±

瀚荃股份有限公司  
CviLux Corporation

DRAWING NO.	CI1403SC	PART NO.	CI14T011PEO
SCALE	8 / 1	SHEET	1 OF 1