



Product Data Sheet



Customer :	
Model No. :	NTM104 Series

Records of Revision			
Vision	Modifying	Old Description	New Description
1511.1			
1512.1	Add brightness options	Not exist	



Features :

- ★ Made in Taiwan
- ★ Wide Operating Temperature : -20~70°
- ★ Touchscreen Options : Capacitive / Resistive touch
- ★ Display Connector : VGA/DVI
- ★ Metal Enclosed Cabinet
- ★ Open-frame Brackets , Wall Mount Bracket , Desktop Stand
- ★ Splash Proof, Vandal Proof, AG/AR/AFP Options



Compliance

Display Characteristics

Model No.	NTM104	Resolution	800x600 (SVGA)
Screen Diagonal	10.4 inch	Brightness	Optional
Active Area	211.2x158.4 mm	Contrast Ratio	700:1
Pixel Pitch	0.264x0.264 mm	Viewing Angle (L/R)	160° (CR=10)
Support Color	16.2M Color	Viewing Angle (U/D)	140° (CR=10)
Display Ratio	4:3	Response Time	16 msec
Backlight Unit	LED	Surface Treatment	Anti-glare, Hardness 3H
Operating Temp.	-20-70°C	Touch Screen	Optional

General Specification

Speaker	2Wx2	Power supply	External Adapter 12V/4.16A
Display interface	VGA + DVI	Net Weight	1.5KG

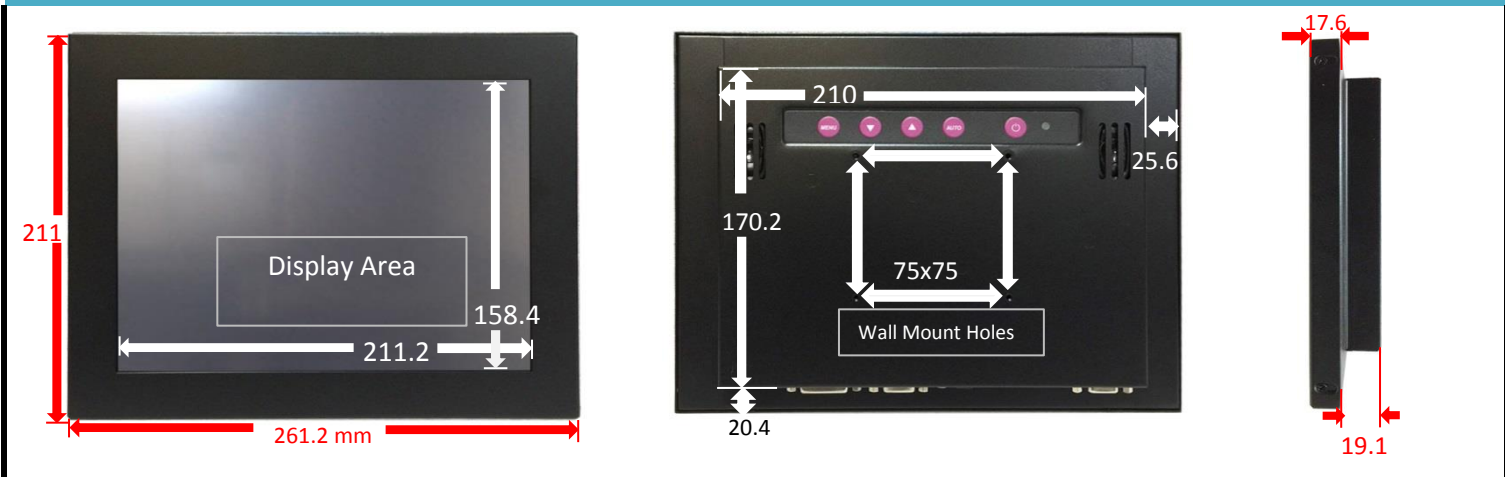
Brightness Options

Brightness	Model No.
(Standard) 400nits	NTM104XXXXNXX
* 1500nits	NTM104XXXXAXX

Accessories

VGA (D-sub 15pin) 1.2M x1
Audio cable (earphone jack 3.5mm) 1.2M x1
4.16A/12V AC-DC adapter x1
Power cord x1
USB cable 1.5M x1 ** (only for touch monitor)

Dimension



Touch Specification (option)

Type	Projected Capacitive	Model No.	NTM104YXXXXX
Allowed touch points	10 point	Precision	2.5mm ±10%
Transparency	≥ 85%	Hardness	≥7H
Surface Treatment	none	Interface	USB

Type	Resistive	Model No.	NTM1045XXXXX
Pressure Sensitive	50 g	Precision	98.5%
Transparency	80% ±5%	Hardness	≥3H
Surface Treatment	Anitglare : <15%	Interface	USB (typ.) / RS-232 (opt.)

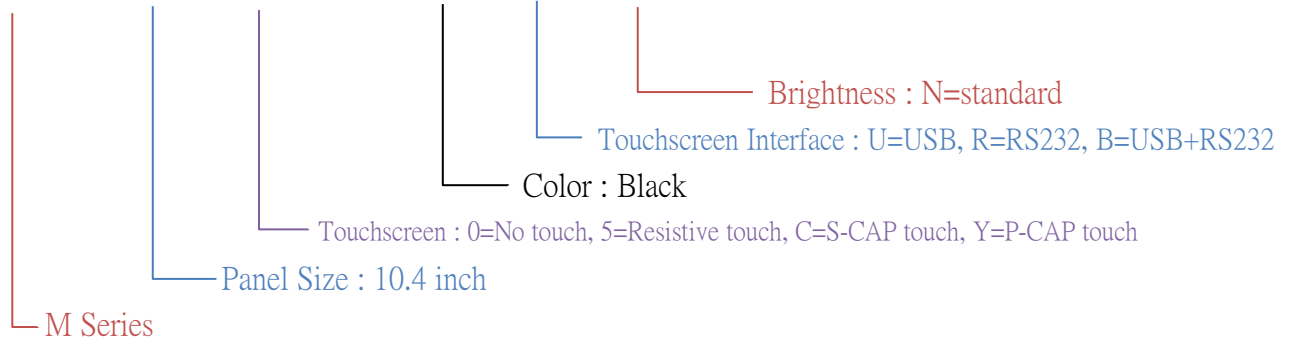
Type	Surface Capacitive	Model No.	NTM104CXXXXX
Allowed touch points	1 point	Precision	99%
Transparency	≥ 92% ±3%	Hardness	≥9H
Surface Treatment	Anitglare : <7%	Interface	USB (typ.) / RS-232 (opt.)

Other Customization Options

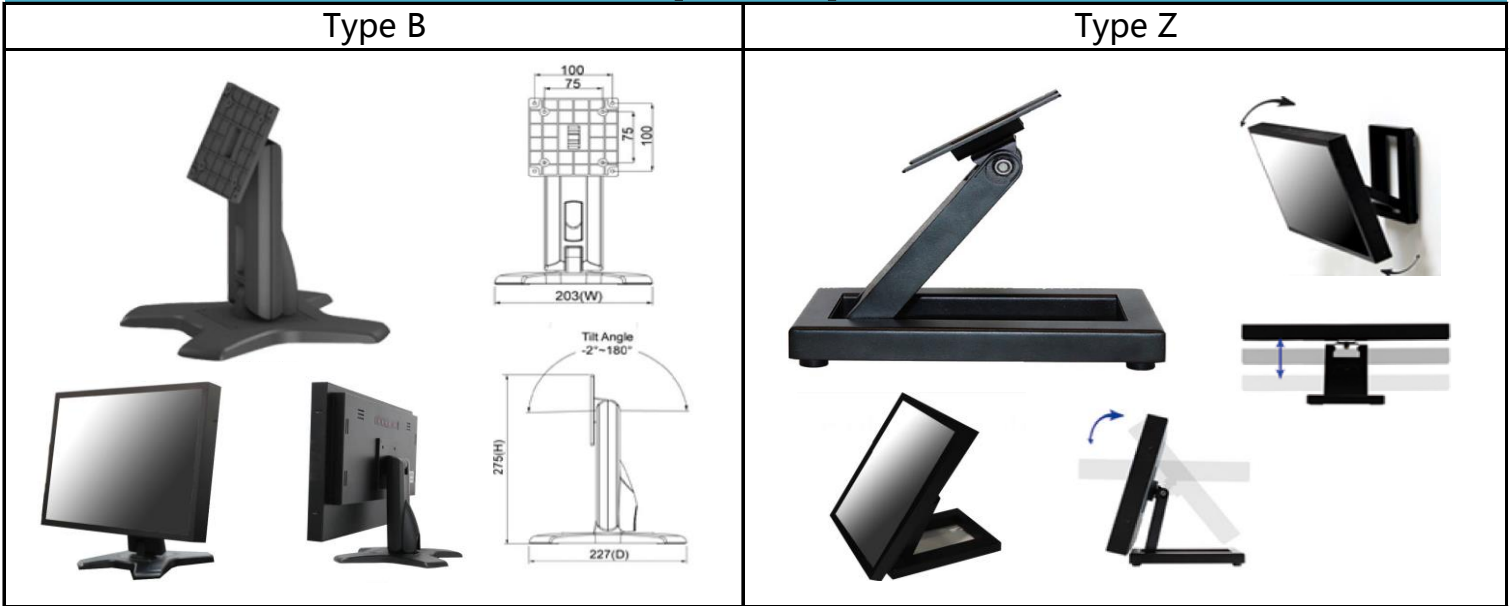
Surface Film : AG , AR , AFP Film	Color : Any Color (requires MOQ 100+)
Vandal Proof : Tempered Glass Hardness 7H	Splash Proof : IP 65 Compliant Front Panel

Coding Rule

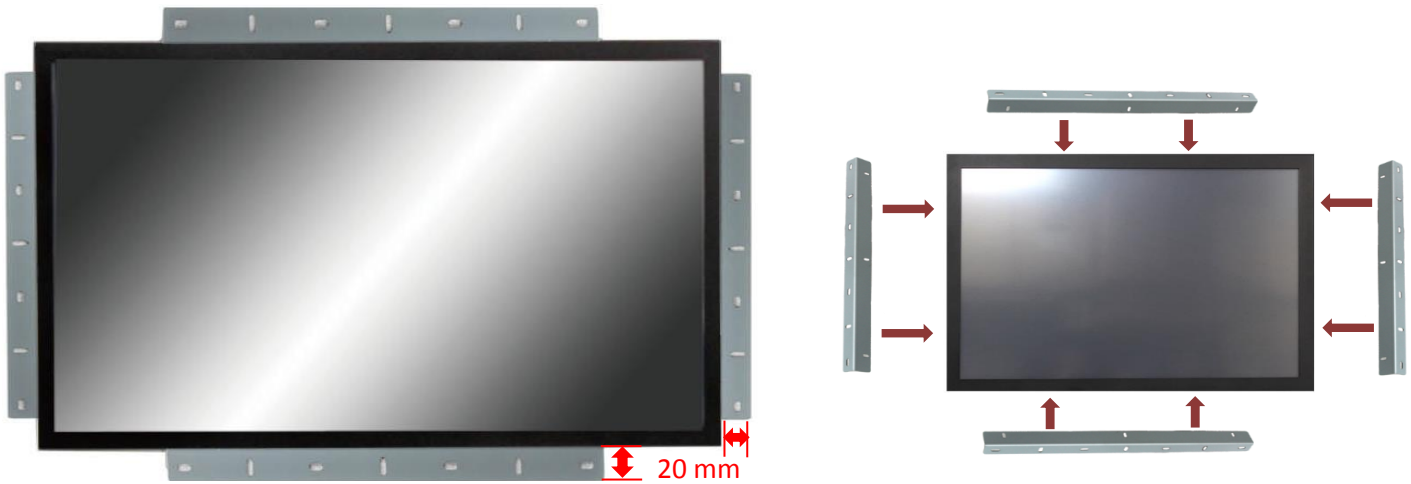
NT **M** 104 0 0 **B** **U** **N** S D



Desktop Stand (Optional)



Open-frame Brackets (Optional)



Panel Mounted Bezel (customized option)

