

REV	ECN NO.	CONTENT	CHK	DATE
V0.0		初版	ZCP	2016.11.24

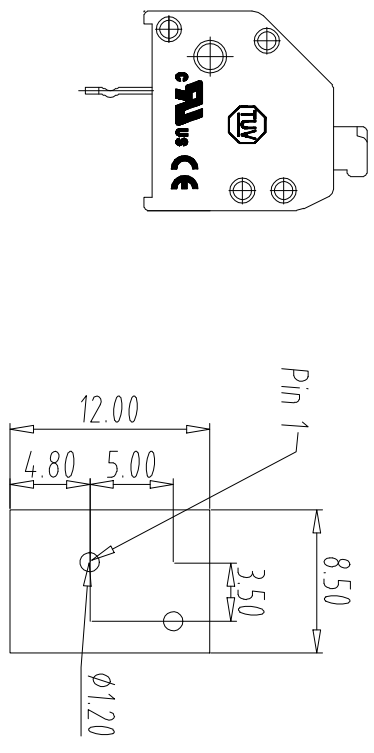
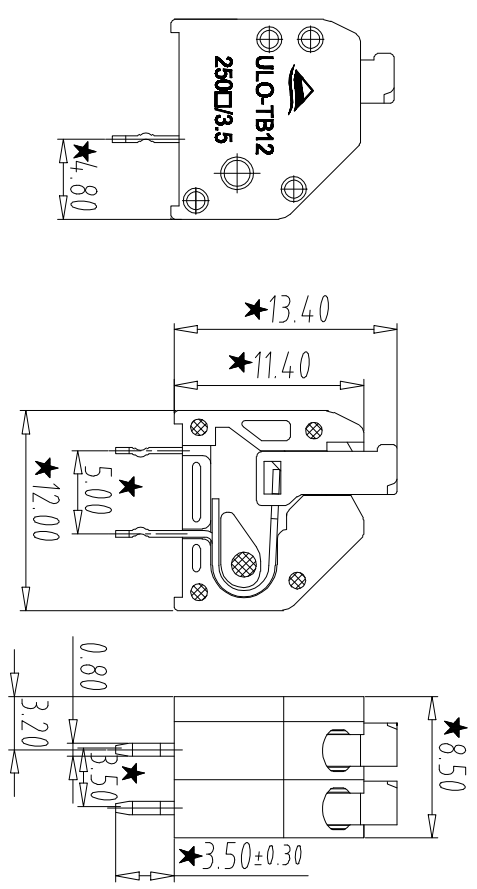
NOTES:

- Rating: <UL> 300V/10A  
<IEC> 250V/10.5A
- Poles:03P
- Insulation Withstands Voltage: AC2000V/1 Min
- Insulation Resistance: 500MΩ at DC500V
- Using Temperature Range: -40°C/+115°C
- Max soldering : +250° for 5S
- RoHS Compliance
- Suitable Electric Wire:28-18AWG(UL) 0.2-1.0mm<sup>2</sup> (IEC)
- "W/H" ★ "is important dimension

How to order

**ULO-TB12 - 250B/3.5 - 02P -1 0 0 0A**

Certificate Factory poles color: Customer requirements  
 Series NO. Code 1:Grey 2:Blue 3:Black 4:Green 5:Orange 6:Red 7:transparent 8:Yellow 9:white



Total Pitch Tolerances												Nominal dimension range															
over	over	over	over	over	over	over	over	over	over	over	over	to min	to min	to min	to min	to min	to min	to min	to min	to min	to min						
0	30	53	70	90	115	151	200	250	0	30	53	70	90	115	151	200	250	0	30	53	70	90	115	151	200	250	30
±0.18	±0.20	±0.25	±0.3	±0.35	±0.44	±0.55	±0.70	±0.75	±0.20	±0.25	±0.30	±0.35	±0.44	±0.55	±0.70	±0.80	±0.90	0.2	0.3	0.3	0.2	0.3	0.3	0.5	0.5	0.5	0.5

5	SHORT-PIN	300TB0020	1	Phosphor bronze Tin Plated			
4	LONG-PIN	300TB0010	2	Phosphor bronze Tin Plated			
3	LEVER	300D0Y00A	3	PA66	UL94V-0		
2	Cover	300C0Y00A	1	PA66	UL94V-0		
1	Housing	300TA0YXXA	3	PA66	UL94V-0		
DWG	ZCP	DATE	NO. OF PART	Q'TY	MATERIAL	NOTE	
CHK	DATE						
APP	DATE						