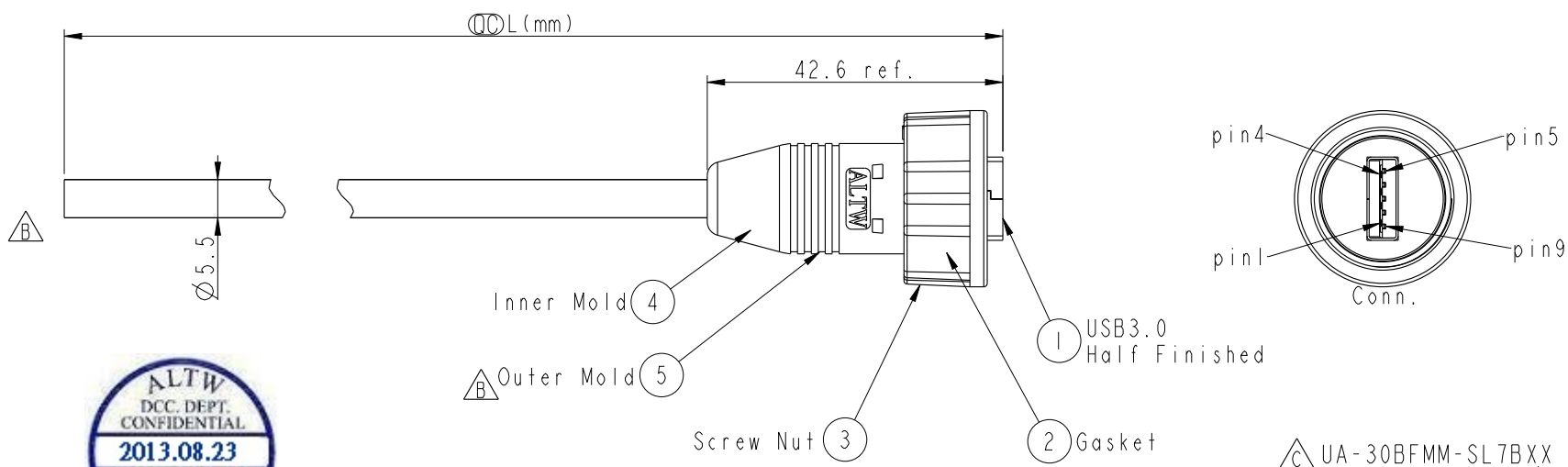


THIS DOCUMENT IS SUBJECT TO CHANGE WITHOUT NOTICE. IT IS CONFIDENTIAL AND A PROPERTY OF AMPHENOL LTW. DISCLOSURE TO THIRD PARTY HAS TO BE AUTHORIZED BY AMPHENOL LTW.

REV.	ECN NO.	DATE	SIGN	DESCRIPTION
B	LE31310053	2012/12/04	Kevin Wang	Modify the design and Note
C	LEN1380166~168	2013/08/16	Tom_gu	Change To UA-30BFMM-SL7BXX

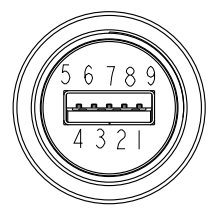
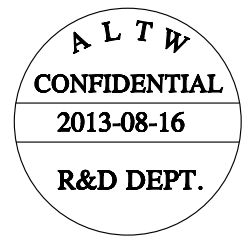


△ UA-30BFMM-SL7BXX

XX : 01~03Meters
 01 : 01Meter
 03 : 03Meters

Cable Length(L): 01~03Meters

Braid	編織	Shield	
Orange 28AWG	橙	9	Twist
Purple 28AWG	紫	8	
Drain 28AWG		7	Twist
Yellow 28AWG	黃	6	
Blue 28AWG	藍	5	Twist
Drain 28AWG		4	
Black 28AWG	黑	3	Twist
Green 28AWG	綠	2	
White 28AWG	白	1	
Red 28AWG	紅	1	
Wire Color		Conn.	
Pin Out			



Pin Assignments Front View

- Note:
- * Ⓞ Important Dimension.
 - * Waterproof Rate: IP67
 - * Connector: USB3.0-A Male Solder, Black
 - * Gasket: EPDM, Black
 - * Cable: USB 3.0, (IP*28#+D+Al/My)*2+IP*28#+2C*28#+F+Al+B, Black, PVC Jacket, UV Resistant, OD=5.5mm
 - * Cable Length Tolerance: 01M: ±40mm
02M~03M: ±60mm
 - * All of Drain twisted together.

UNIT:mm		
TOLERANCE	±0.5	

TITLE USB 3.0, Cable Screw F Conn M Pin			
SCALE 1:1	SIZE A4	SHEET 1 OF 1	
REV. C	WC-REV. B.2	Ⓞ: Inspection item	

Amphenol LTW
 安費諾亮泰企業股份有限公司

ITEM NO	DRAWN BY Tom_gu	DATE 2013/08/16
DWG NO UA-30BFMM-SL7BXX	CHECKED BY Micky	DATE 2013/08/16
CUSTOMER ALTW	APPROVED BY Victor	DATE 2013/08/16