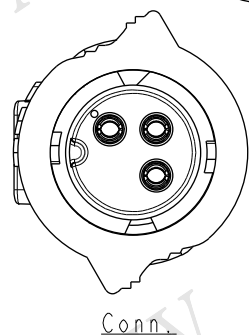
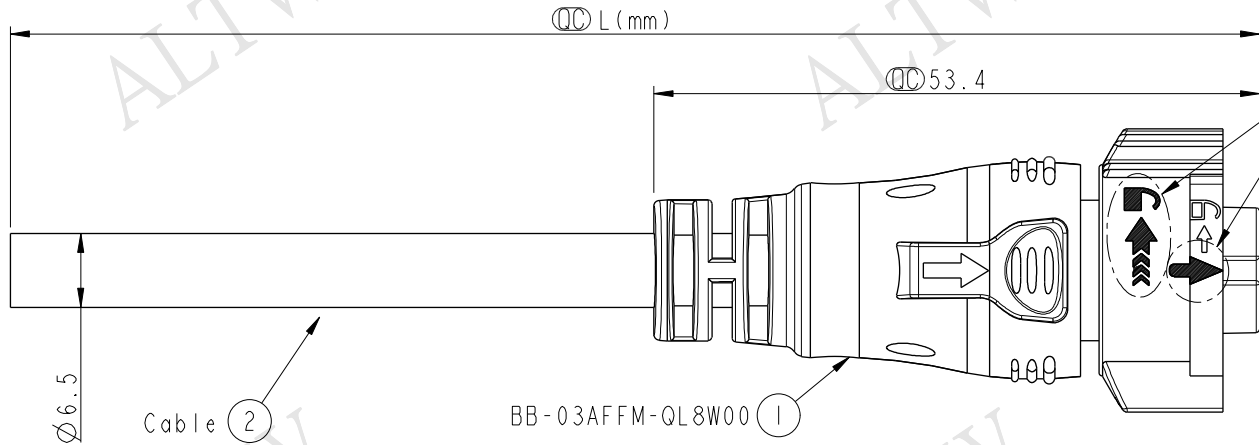
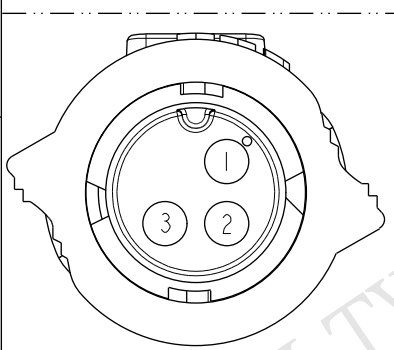


REV.	ECN NO.	DATE	SIGN	DESCRIPTION

ALTW  
CONFIDENTIAL  
2014-09-12  
R&D DEPT.



ALTW  
DCC. DEPT.  
CONFIDENTIAL  
2014.11.26  
ISSUED



Pin Assignments  
Front View

3	Red	紅
2	Brown	棕
1	Black	黑
Conn.	Wire Color	
	Pin Out	

BB-03AFFM-QL8D XX  
↑  
XX : 01~99Meters  
01 : 01Meter  
02 : 02Meters  
:  
:  
99 : 99Meters

- Note:
- \* (Ⓞ) Important Dimension To Check.
  - \* Waterproof Rate: IP68(Mated)
  - \* Working Voltage Rating: AC 300 V
  - \* Working Current Rating: 10A
  - \* Flame Class: UL94V-0 (UV Resistance)
  - \* Housing: Nylon+GF, Black.
  - \* Female Pin: Copper Alloy, Gold Plated.
  - \* Rubber: Silicon, Gray
  - \* Cable: UL21388 16AWG\*3C+AL+My  
PVC Jacket UV Resistant, OD=6.5, Black.
  - \* Cable Length Tolerance: 01M:±40mm  
02M~05M:±60mm  
06M~10M:±100mm  
11M~30M:±200mm  
31M~99M:±500mm

UNIT:mm		
TOLERANCE .X	±0.5	

TITLE X-Lok B-Size Molding F Conn F 3 Pin			
SCALE 3:2	SIZE A4	SHEET 1 OF 1	
REV. A	WC-REV. A.2	Ⓞ: Inspection item	

**Amphenol LTW**  
安費諾亮泰企業股份有限公司

ITEM NO	DRAWN BY Micky	DATE 2014-09-12
DWG NO BB-03AFFM-QL8DXX	CHECKED BY Spring	DATE 2014-09-12
CUSTOMER ALTW	APPROVED BY Kevin	DATE 2014-09-12

THIS DOCUMENT IS SUBJECT TO CHANGE WITHOUT NOTICE. IT IS CONFIDENTIAL AND A PROPERTY OF AMPHENOL LTW. DISCLOSURE TO THIRD PARTY HAS TO BE AUTHORIZED BY AMPHENOL LTW.