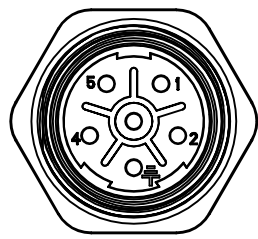
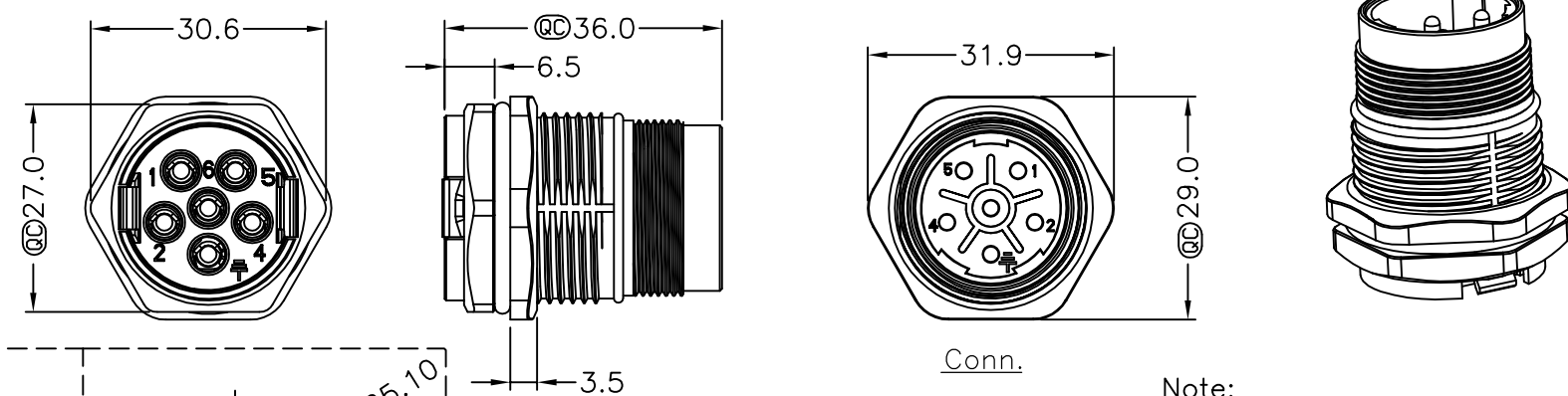
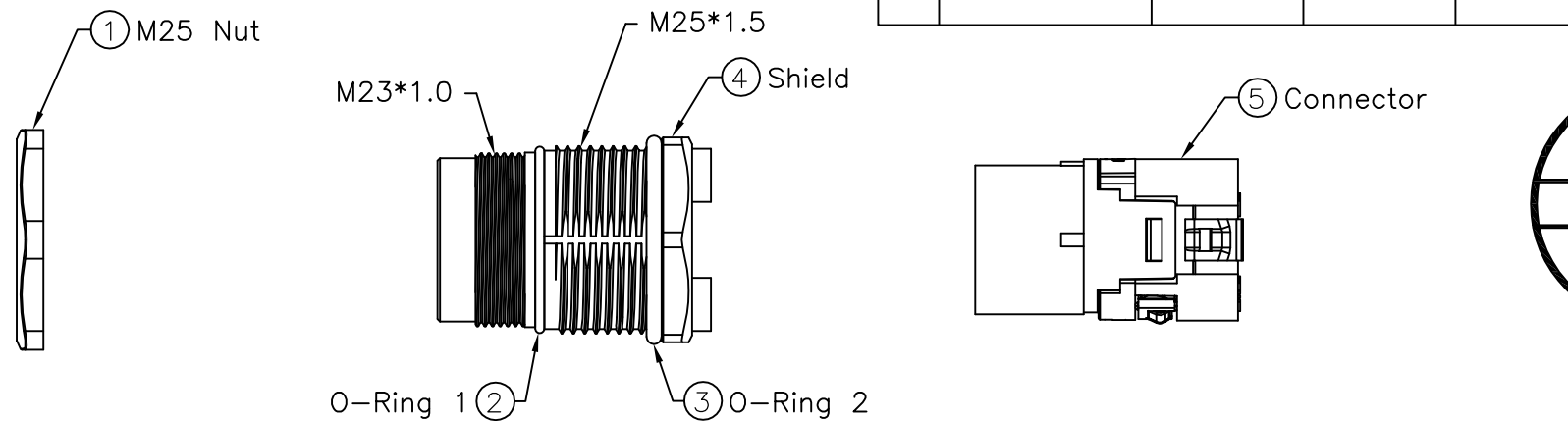
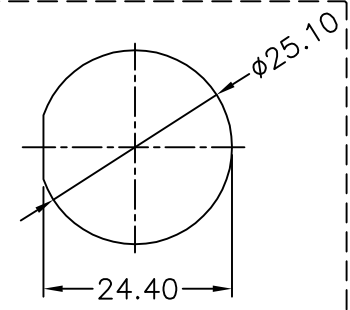


REV.	ECN NO.	DATE	SIGN	DESCRIPTION
A		Initial Release	2010/07/27	Doreen
				Change REV.01 to REV.A

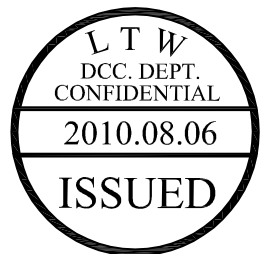
THIS DOCUMENT IS SUBJECT TO CHANGE WITHOUT NOTICE. IT IS CONFIDENTIAL AND A PROPERTY OF Amphenol LTW. DISCLOSURE TO THIRD PARTY HAS TO BE AUTHORIZED BY Amphenol LTW.



Conn.
Pin Assignments
Front View



Recommended
Panel Cut-Out

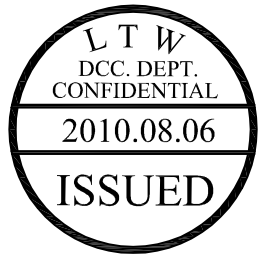
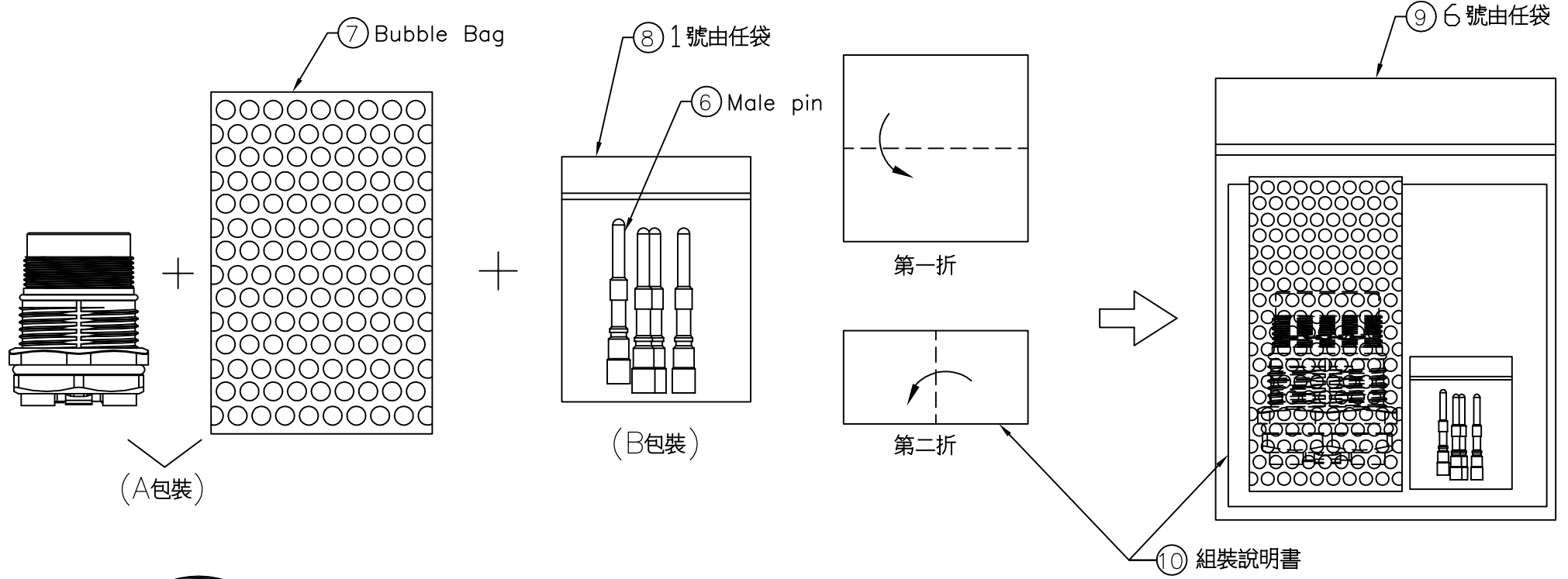


- Note:
- * @C Important Dimension.
 - * Waterproof Rate: IP67.
 - * Connector: Nylon, Black.
 - * Male Pin: Copper Alloy, Gold Plated.
 - * Shield: Copper Alloy, Nickel Plated.
 - * O-Ring: Silicone, UL94V-0, Gray.
 - * Recommended Gauge: 14 Awg, 12 Awg
 - * Use without waterproof cap or dust cap
Panel Thickness Max: 6.0mm

UNIT:mm		TITLE M23 Panel ASS'Y Type, M CON, M PIN	Amphenol LTW		ITEM NO LJ23-06PMMC-SF7001	DRAWN BY Doreen	DATE 2010/08/02
TOLERANCE .X ±0.25 .XX ±0.1 .XXX ±0.05 ANGLES ±1°	SCALE Free	SHEET 1 OF 2	安費諾亮泰企業股份有限公司		DWG NO LJ23-06PMMC-SF7001	CHECKED BY Winnie	DATE 2010/08/02
	REV. A	SIZE A4	@C : Inspection Item		CUSTOMER ALTW	APPROVED BY Kevin	DATE 2010/08/02

REV. A	ECN NO.	DATE	SIGN	DESCRIPTION
Initial Release		2010/07/27	Doreen	Change REV.01 to REV.A

THIS DOCUMENT IS SUBJECT TO CHANGE WITHOUT NOTICE. IT IS CONFIDENTIAL AND A PROPERTY OF Amphenol LTW. DISCLOSURE TO THIRD PARTY HAS TO BE AUTHORIZED BY Amphenol LTW.



包裝方式

A包裝: 將 ① ② ③ ④ ⑤ 組裝完成後裝入 ⑦ 氣泡袋中

B包裝: 將 ⑥ 裝入 ⑧ 1 號由任袋中

最後將 A 包裝與 B 包裝及 ⑩ 組裝說明書一同裝入 ⑨ 6 號由任袋中, 即放入紙箱

UNIT:mm		TITLE	M23 Panel ASS'Y Type, M CON, M PIN		Amphenol LTW 安費諾亮泰企業股份有限公司	ITEM NO	LJ23-06PMMC-SF7001	DRAWN BY	Doreen	DATE	2010/08/02
TOLERANCE	.X ±0.25 .XX ±0.1 .XXX ±0.05 ANGLES ±1'	SCALE	Free	SHEET		2 OF 2	DWG NO	LJ23-06PMMC-SF7001	CHECKED BY	Winnie	DATE
REV.	A	SIZE	A4	◎ : Inspection Item		CUSTOMER	ALTW	APPROVED BY	Kevin	DATE	2010/08/02