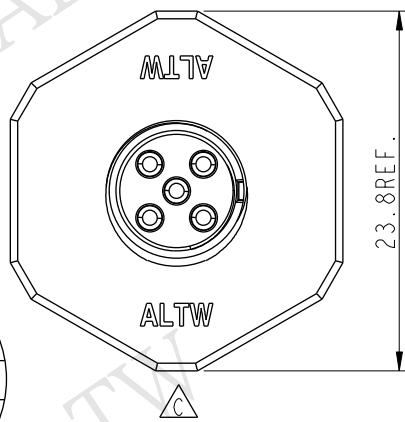
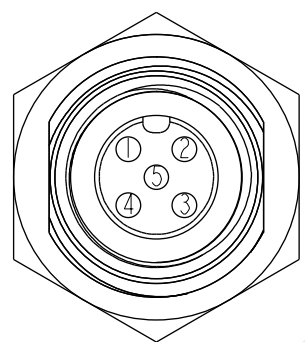
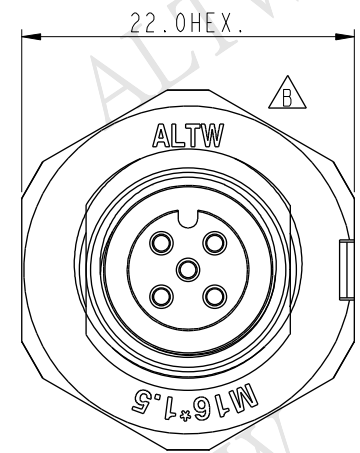
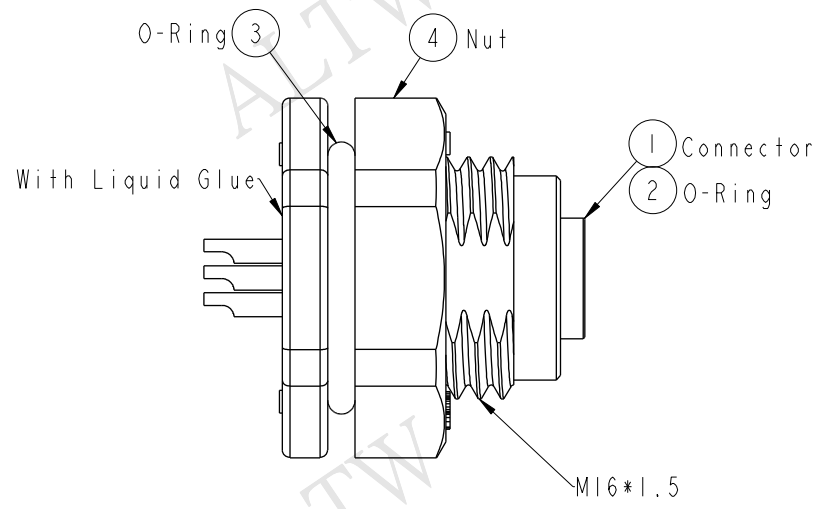


REV.	ECN NO.	DATE	SIGN	DESCRIPTION
B	LEN1570018	2015/05/12	Ruru	Change Logo
C	LEN1630044	2016/02/22	Kaven	Update Logo

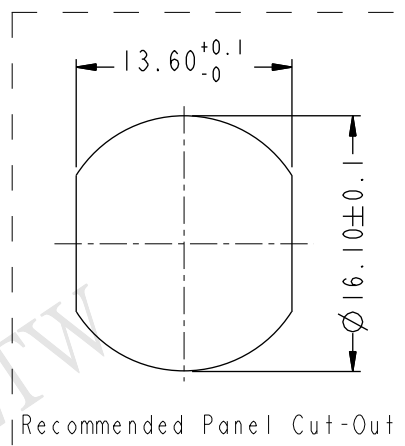
ALTW



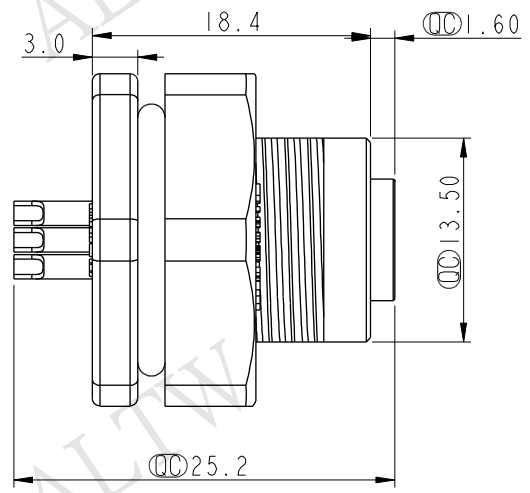
ALTW
CONFIDENTIAL
2016-02-22
R&D DEPT.



Pin Assignment
Front View



Recommended Panel Cut-Out



ALTW
DCC. DEPT.
CONFIDENTIAL
2016.03.02
ISSUED

- Note:
- * \varnothing Important Dimension To Check.
 - * Waterproof Rate: IP68
 - * Connector: Nylon+GF, 94V-0, Black
 - * Female Pin: Copper Alloy, Gold Plated
 - * Shield: Nylon+GF, 94V-0, Black
 - * Nut: Nylon+GF, 94V-0, Black
 - * O-Ring(Inner): Silicone, Gray, 94V-0
 - * O-Ring(Outer): Silicone, Gray, 94V-0
 - * For Panel Thickness Max 4.0mm

UNIT:mm		TITLE Sensor, M12, Panel 5Pin FConn FPin, Plastic			ITEM NO 12P-05PFFS-SF8001	DRAWN BY Kaven	DATE 2016-02-22
		SCALE 2:1 SIZE A4 SHEET 1 OF 1					
TOLERANCE .X ±0.25 .XX ±0.1 .XXX ±0.05 ANGLES ±1°		REV. C	WC-REV. A.3	Inspection item	CUSTOMER ALTW	APPROVED BY Lisa	DATE 2016-02-22

Amphenol LTW
安費諾亮泰企業股份有限公司

THIS DOCUMENT IS SUBJECT TO CHANGE WITHOUT NOTICE. IT IS CONFIDENTIAL AND A PROPERTY OF Amphenol LTW. DISCLOSURE TO THIRD PARTY HAS TO BE AUTHORIZED BY Amphenol LTW.