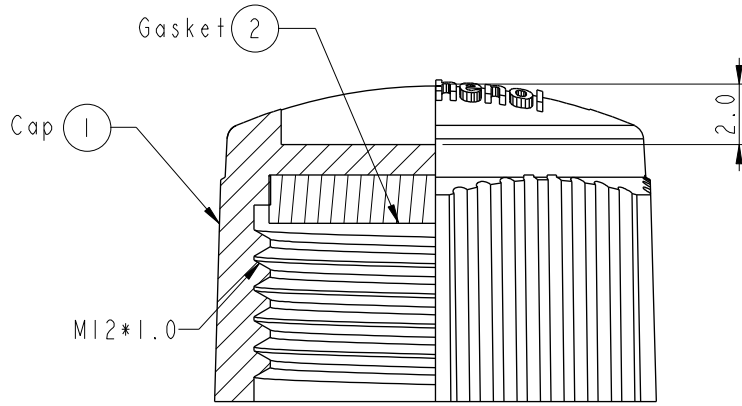
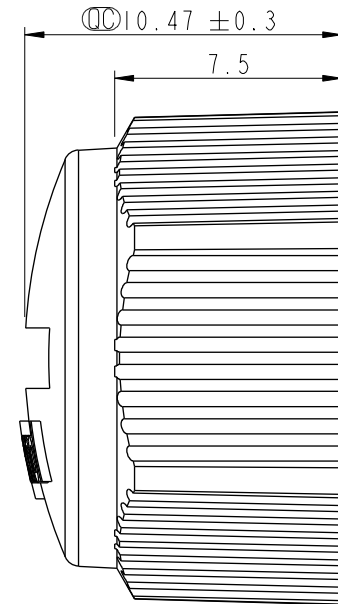
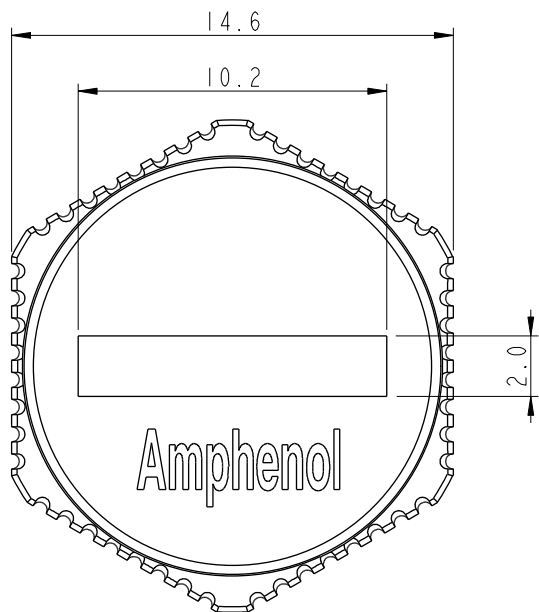


THIS DOCUMENT IS SUBJECT TO CHANGE WITHOUT NOTICE. IT IS CONFIDENTIAL AND A PROPERTY OF Amphenol LTW. DISCLOSURE TO THIRD PARTY HAS TO BE AUTHORIZED BY Amphenol LTW.

REV.	ECN NO.	DATE	SIGN	DESCRIPTION
A	Initial Release	2013/09/12	Vicky	Old Item No. CAP-WBDMMSAI

ALTW
CONFIDENTIAL
2013-09-12
R&D DEPT.

ALTW
DCC. DEPT.
CONFIDENTIAL
2013.09.16
ISSUED



- Note:
- * $\varnothing\varnothing$ Important Dimension.
 - * Waterproof Rate: IP67
 - * Cap: PC+ABS, Black
 - * Gasket: EPDM, Black

UNIT: mm

TOLERANCE	
.X	±0.25
.XX	±0.1
.XXX	±0.05
ANGLES	±1°

TITLE Waterproof Cap M12*1.0P For Male Conn Screw Type			
SCALE 4:1	SIZE A4	SHEET 1 OF 1	
REV. A	WC-REV. A.1	⊙: Inspection item	

Amphenol LTW
安費諾亮泰企業股份有限公司

ITEM NO. CAP-WBDMMSAI	DRAWN BY Vicky	DATE 2013-09-12
DWG NO. CAP-WBDMMSAI	CHECKED BY Sam	DATE 2013-09-12
CUSTOMER ALTW	APPROVED BY Rita	DATE 2013-09-12