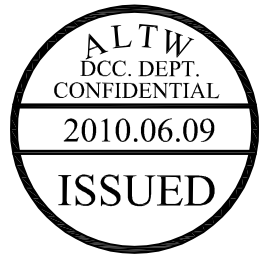
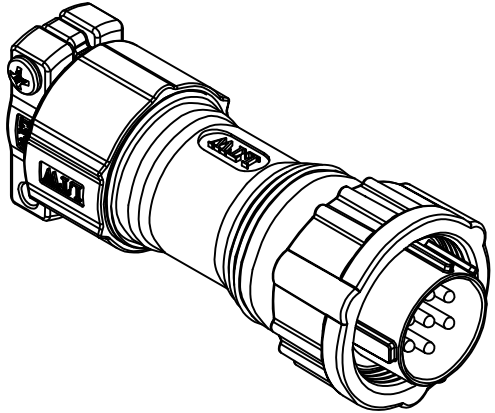
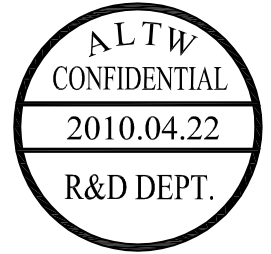
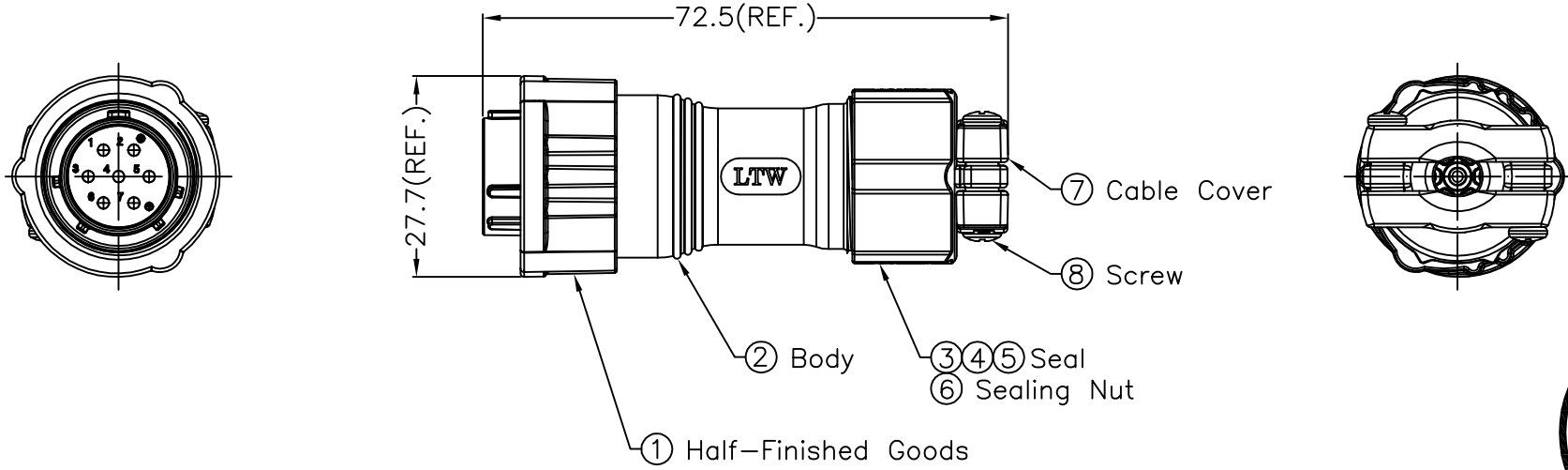


REV. A	ECN NO.	Initial Release	DATE 2010/04/22	SIGN Jessie	DESCRIPTION Form Rev.02 To A

THIS DOCUMENT IS SUBJECT TO CHANGE WITHOUT NOTICE. IT IS CONFIDENTIAL AND A PROPERTY OF Amphenol LTW. DISCLOSURE TO THIRD PARTY HAS TO BE AUTHORIZED BY Amphenol LTW.



Note:

- * @@Important Dimension
- * Waterproof Rate: IP68
IP68: 1M depth of water in 24 Hrs.
(防水等級：IP68)
IP68: 水深一米測試 24 小時
- * Cable OD: $\phi 5.5\text{mm} \sim \phi 12.5\text{mm}$
- * Gasket: Silicone ,Gray
- * Shell: Zinc Alloy ,Electrodeposition Coating,Black.
- * Male Pin: Copper Alloy ,Gold Plated
- * Insulation: Nylon ,Black
- ⑨* One Set Assembled in one PE Bag.

UNIT:mm		TITLE Circular II Series 7 Pin Assy	Amphenol LTW 安費諾亮泰企業股份有限公司		ITEM NO HB20-07BFMA-SL8001	DRAWN BY Jessie	DATE 2010/04/22	
TOLERANCE .X ±0.25 .XX ±0.1 .XXX ±0.05 ANGLES ±1°	SCALE Free	SHEET 1 OF 1	REV. A		DWG NO HB20-07BFMA-SL8001	CHECKED BY Jimmy	DATE 2010/05/12	
1	2	3	4	5	CUSTOMER ALTW	APPROVED BY Win	DATE 2010/05/12	
							8	FMWIG702-01-01A2