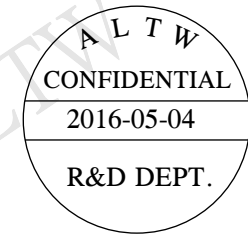
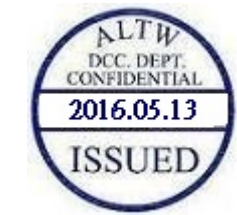
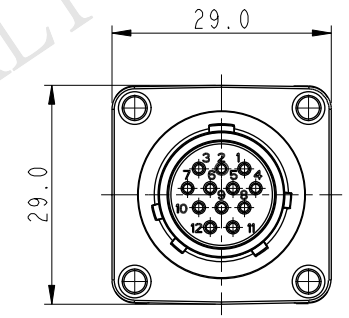
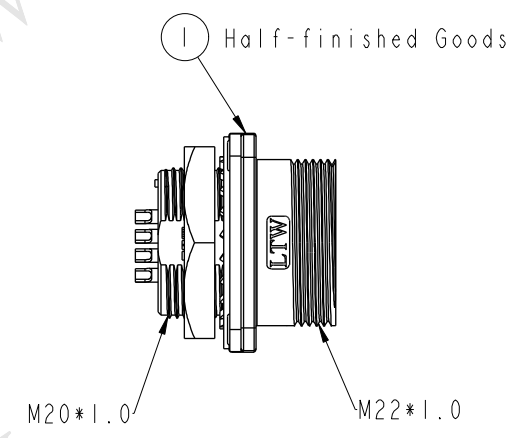
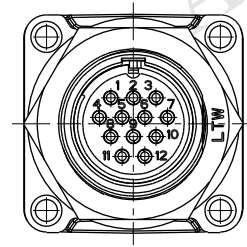
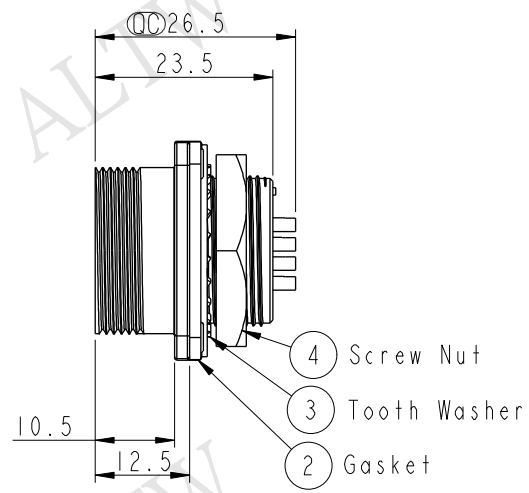
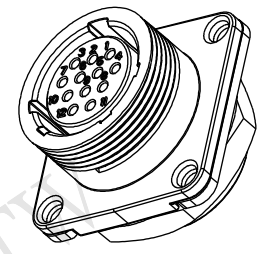
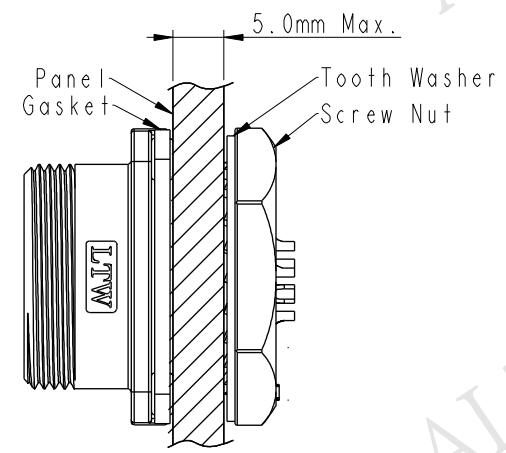


THIS DOCUMENT IS SUBJECT TO CHANGE WITHOUT NOTICE. IT IS CONFIDENTIAL AND A PROPERTY OF Amphenol LTW. DISCLOSURE TO THIRD PARTY HAS TO BE AUTHORIZED BY Amphenol LTW.

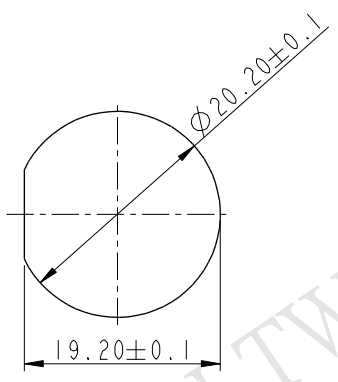
| REV. | ECN NO. | DATE | SIGN | DESCRIPTION |
|------|-----------------|------------|-------|--|
| A | Initial Release | 2012/10/22 | Ruru | LD20-12RMFS-SS8001 To LD20-12PMFS-SN8001 |
| B | LE31650235 | 2016/05/04 | Vicky | Update Note |



Assembly Instruction



- Note:
- * \varnothing Important Dimension.
 - * Waterproof Rate: IP68
IP68: 1M depth of water in 24 Hrs.
(防水等級: IP68)
IP68: 水深一米測試 24 小時
 - * Shell: Zinc Alloy#3, Ni Plated, Silver.
 - * Insulation: Nylon, Black
 - * Female Pin: Copper Alloy, Silver Plated
 - * Gasket: Silicone, Gray
 - * Recommended Panel Thickness 5.0mm(Max).



Recommend Panel Cut-Out

| | | |
|-----------|------------|--|
| UNIT: mm | | |
| TOLERANCE | .X ±0.25 | |
| | .XX ±0.1 | |
| | .XXX ±0.05 | |
| ANGLES | ±1° | |

| | | | |
|---------------------------------------|----------------|---------------------------------|--|
| TITLE PANEL NUT 12PIN M CONN F PIN | | | |
| SCALE 1:1 | SIZE A4 | SHEET 1 OF 1 | |
| REV. B | WC-REV. A.2 | \varnothing : Inspection item | |

Amphenol LTW
安費諾亮泰企業股份有限公司

| | | |
|--------------------------------|---------------------|--------------------|
| ITEM NO. LD20-12PMFS-SN8001 | DRAWN BY Vicky | DATE 2016-05-04 |
| DWG NO. LD20-12PMFS-SN8001 | CHECKED BY Rita | DATE 2016-05-04 |
| CUSTOMER ALTW | APPROVED BY Lisa | DATE 2016-05-04 |