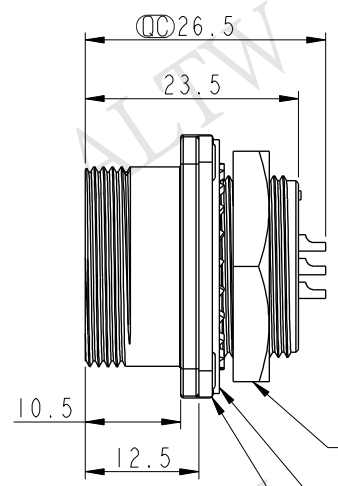


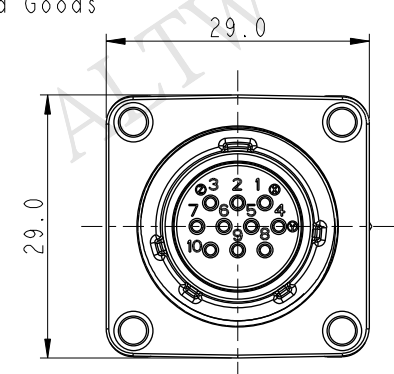
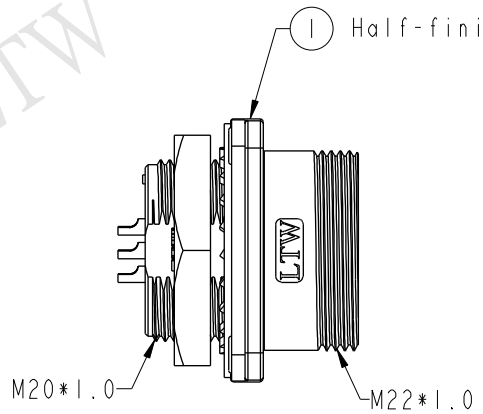
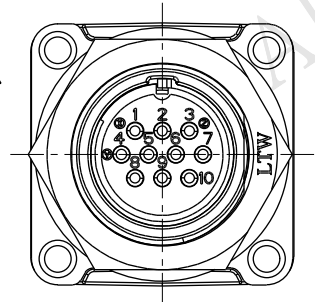
THIS DOCUMENT IS SUBJECT TO CHANGE WITHOUT NOTICE. IT IS CONFIDENTIAL AND A PROPERTY OF Amphenol LTW. DISCLOSURE TO THIRD PARTY HAS TO BE AUTHORIZED BY Amphenol LTW.

REV.	ECN NO.	DATE	SIGN	DESCRIPTION
B	LEN14A0103	2014/09/13	Feng_Li	Change Logo Direction
C	LEN15C0101	2015/12/01	Jason.Yu	Update Pin Out Show on Housing
D	LE31650217	2016/05/03	Vicky	Update Note

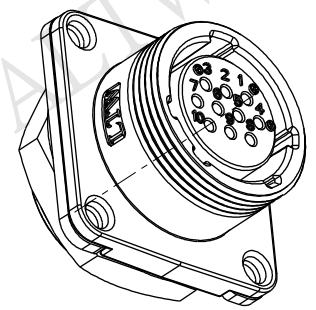
**ALTW**  
**CONFIDENTIAL**  
 2016-05-03  
**R&D DEPT.**



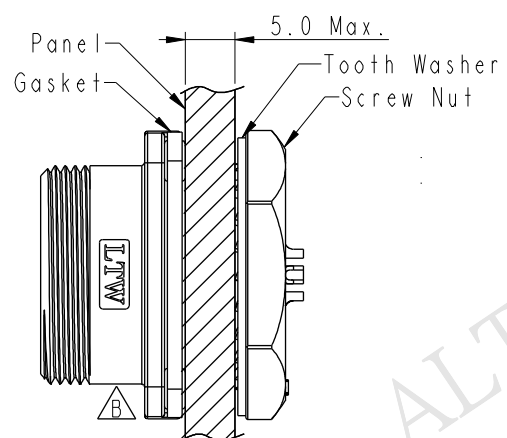
- ④ Screw Nut
- ③ Tooth Washer
- ② Gasket



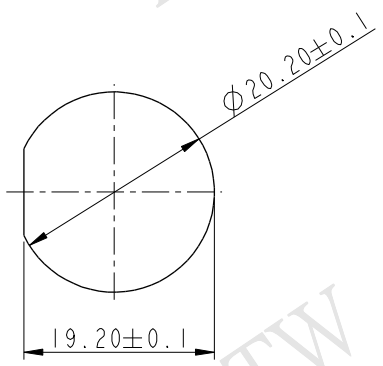
**ALTW**  
 DCC. DEPT.  
**CONFIDENTIAL**  
 2016.05.13  
**ISSUED**



Assembly Instruction



- △ Note:
- \* ⌀ Important Dimension.
  - \* Waterproof Rate: IP68  
 IP68: 1M depth of water in 24 Hrs.  
 (防水等級: IP68)  
 IP68: 水深一米測試24小時
  - \* Shell: Zinc Alloy, Electrodeposition Coating, Black.
  - \* Insulation: Nylon, Black
  - \* Female Pin: Copper Alloy, Gold Plated
  - \* Gasket: Silicone, Gray
  - \* Recommended Panel Thickness 5.0mm(Max).



Recommend Panel Cut-Out

UNIT: mm		
TOLERANCE	.X ±0.25	
	.XX ±0.1	
	.XXX ±0.05	
ANGLES	±1°	

TITLE PANEL NUT 10PIN M CONN F PIN			
SCALE 6:5	SIZE A4	SHEET 1 OF 1	
REV. D	WC-REV. A.3	⌀: Inspection item	

**Amphenol LTW**  
**安費諾亮泰企業股份有限公司**

ITEM NO. HD20-10PMFS-SN8001	DRAWN BY Vicky	DATE 2016-05-03
DWG NO. HD20-10PMFS-SN8001	CHECKED BY Rita	DATE 2016-05-03
CUSTOMER ALTW	APPROVED BY Lisa	DATE 2016-05-03