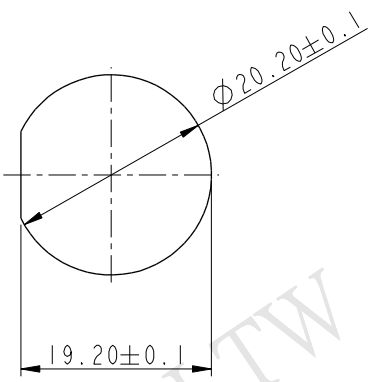
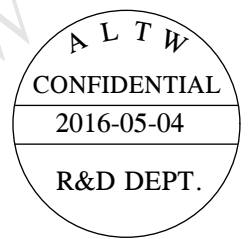
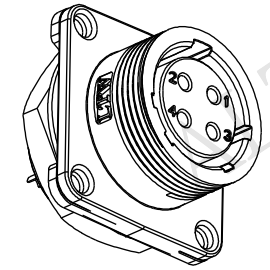
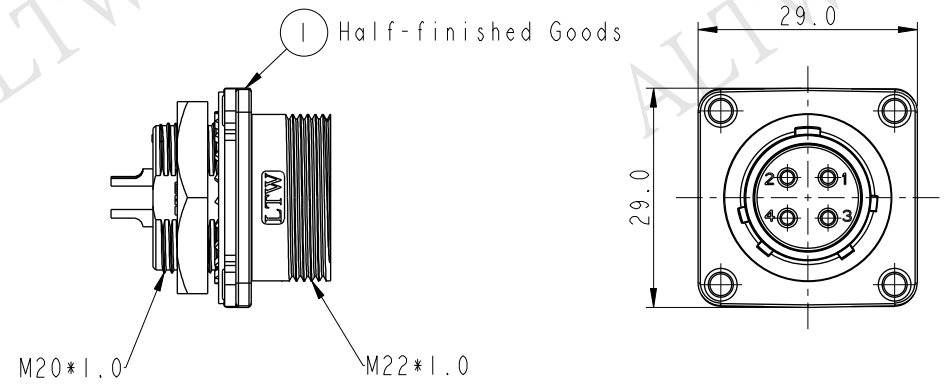
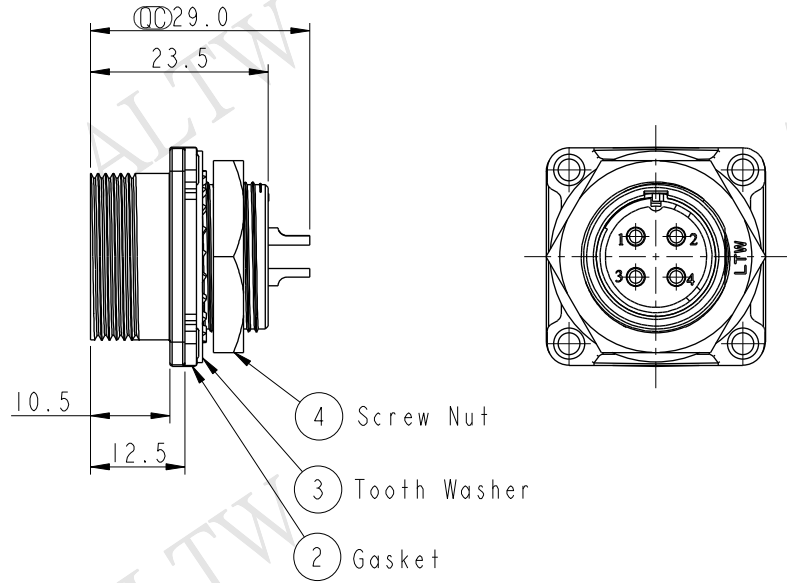
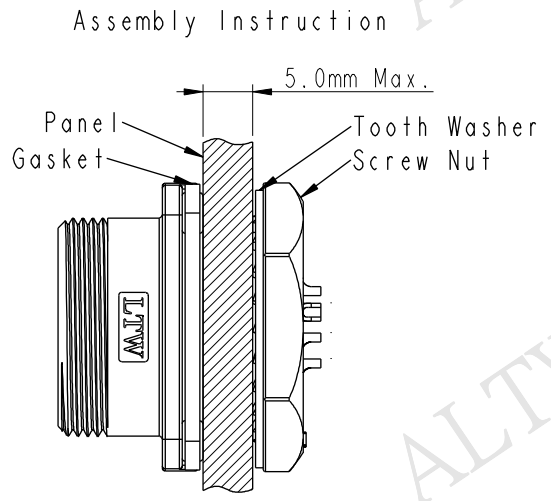


REV.	ECN NO.	DATE	SIGN	DESCRIPTION
A	Initial Release	2012/10/22	Ruru	LB20-04RMFS-SS8001 To LB20-04PMFS-SN8001
B	LE31650223	2016/05/04	Vicky	Update Note



Recommend Panel Cut-Out



- Note:**
- \*  $\phi$  Important Dimension.
  - \* Waterproof Rate: IP68  
IP68: 1M depth of water in 24 Hrs.  
(防水等級: IP68)  
IP68: 水深一米測試24小時
  - \* Shell: Zinc Alloy#3, Ni Plated, Silver.
  - \* Insulation: Nylon, Black
  - \* Female Pin: Copper Alloy, Silver Plated
  - \* Gasket: Silicone, Gray
  - \* Recommended Panel Thickness 5mm(Max).

UNIT: mm		
TOLERANCE		
.X	$\pm 0.25$	
.XX	$\pm 0.1$	
.XXX	$\pm 0.05$	
ANGLES	$\pm 1^\circ$	

TITLE PANEL NUT 4PIN M CONN F PIN			
SCALE 1:1	SIZE A4	SHEET 1 OF 1	
REV. B	WC-REV. A.2	$\phi$ : Inspection item	

**Amphenol LTW**  
安費諾亮泰企業股份有限公司

ITEM NO. LB20-04PMFS-SN8001	DRAWN BY Vicky	DATE 2016-05-04
DWG NO. LB20-04PMFS-SN8001	CHECKED BY Rita	DATE 2016-05-04
CUSTOMER ALTW	APPROVED BY Lisa	DATE 2016-05-04

THIS DOCUMENT IS SUBJECT TO CHANGE WITHOUT NOTICE. IT IS CONFIDENTIAL AND A PROPERTY OF Amphenol LTW. DISCLOSURE TO THIRD PARTY HAS TO BE AUTHORIZED BY Amphenol LTW.