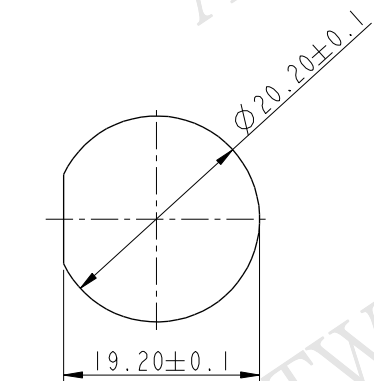
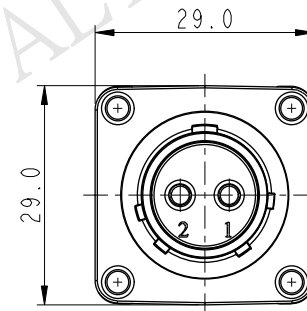
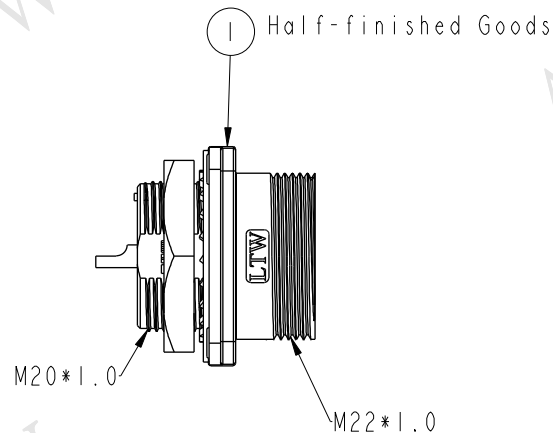
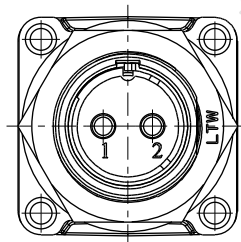
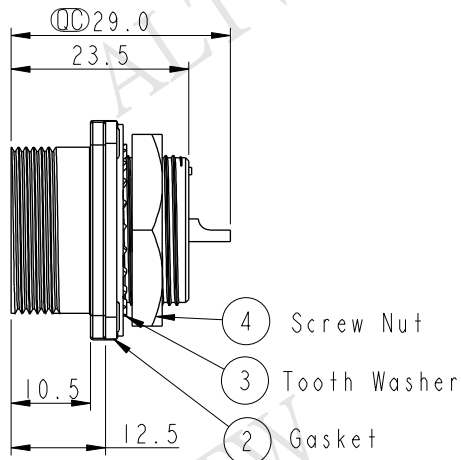
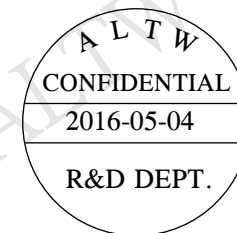
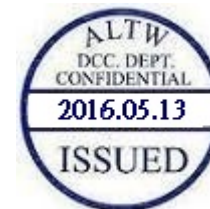
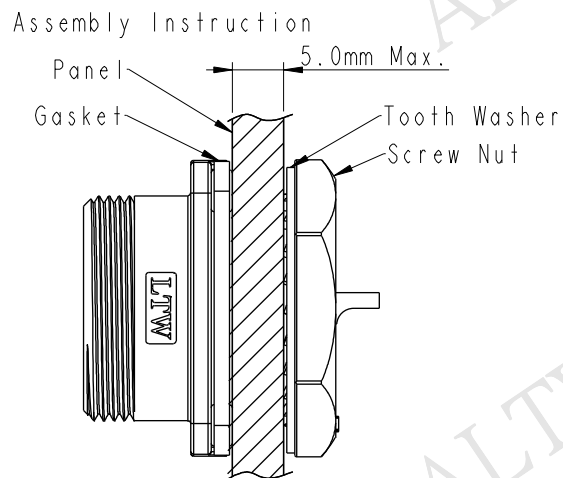


REV.	ECN NO.	DATE	SIGN	DESCRIPTION
A	Initial Release	2012/10/22	Ruru	LC20-02RMFS-SS8001 To LC20-02PMFS-SN8001
B	LE31650229	2016/05/04	Vicky	Update Note

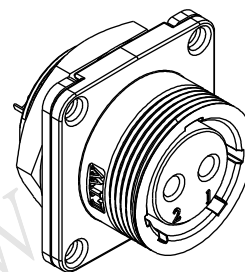
THIS DOCUMENT IS SUBJECT TO CHANGE WITHOUT NOTICE. IT IS CONFIDENTIAL AND A PROPERTY OF Amphenol LTW. DISCLOSURE TO THIRD PARTY HAS TO BE AUTHORIZED BY Amphenol LTW.



Recommend Panel Cut-Out



- Note:**
- * \varnothing Important Dimension.
 - * Waterproof Rate: IP68
IP68: 1M depth of water in 24 Hrs.
(防水等級: IP68)
IP68: 水深一米測試 24 小時
 - * Shell: Zinc Alloy#3, Ni Plated, Silver.
 - * Insulation: Nylon, Black
 - * Female Pin: Copper Alloy, Silver Plated
 - * Gasket: Silicone, Gray
 - * Recommended Panel Thickness 5.0mm(Max).



UNIT: mm		TITLE		ITEM NO.		DRAWN BY		DATE	
		PANEL NUT 2PIN M CONN F PIN		LC20-02PMFS-SN8001		Vicky		2016-05-04	
TOLERANCE		SCALE	SIZE	SHEET	OF	DWG NO.	CHECKED BY	DATE	
.X ±0.25		1:1	A4	1	1	LC20-02PMFS-SN8001	Rita	2016-05-04	
.XX ±0.1		REV.	WC-REV.	: Inspection item		CUSTOMER	APPROVED BY	DATE	
.XXX ±0.05		B	A.2			ALTW	Lisa	2016-05-04	
ANGLES ±1°									

Amphenol LTW
安費諾亮泰企業股份有限公司