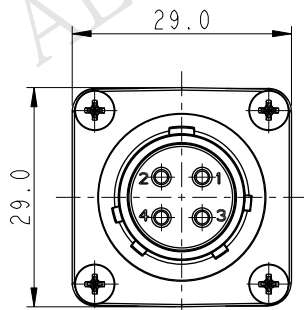
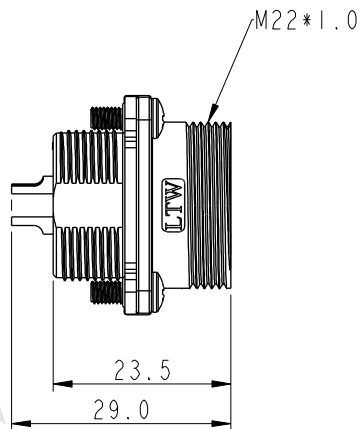
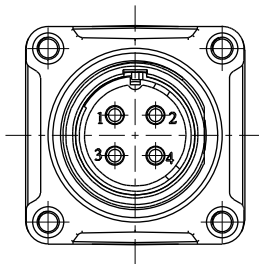
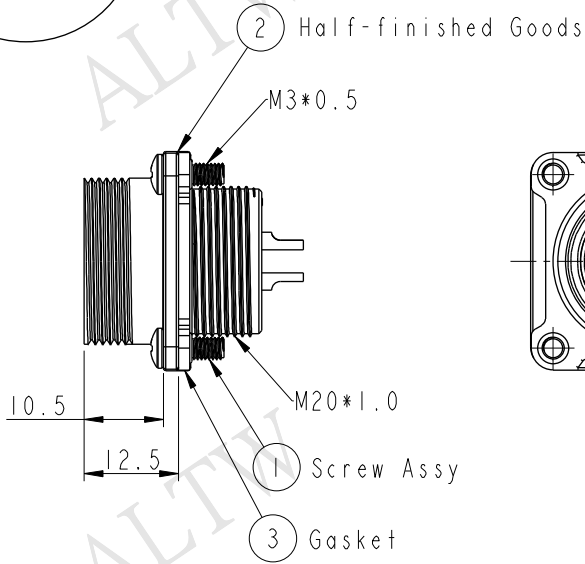
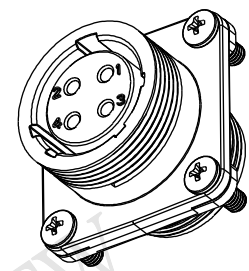
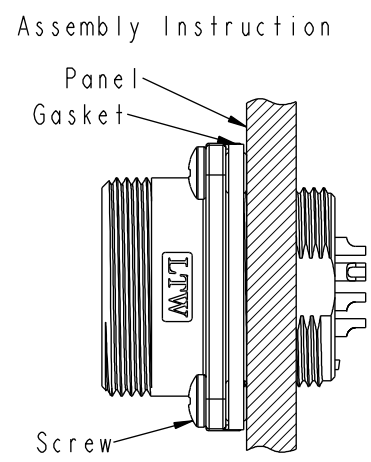
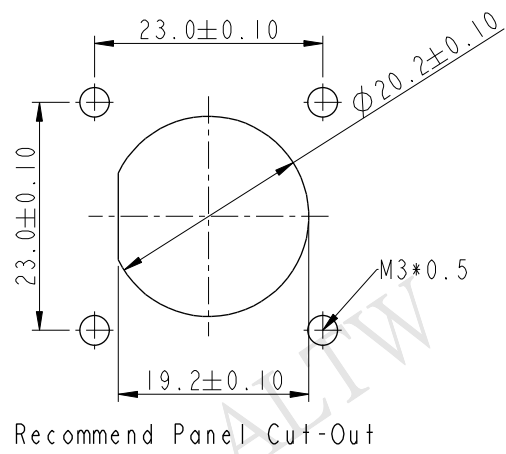


ALTW
CONFIDENTIAL
2016-05-04
R&D DEPT.

REV.	ECN NO.	DATE	SIGN	DESCRIPTION
A	Initial Release	2012/10/22	Ruru	LB20-04PMFS-SS8001 To LB20-04PMFS-SW8001
B	LE31650224	2016/05/04	Vicky	Update Note



ALTW
DCC. DEPT.
CONFIDENTIAL
2016.05.13
ISSUED



- △ Note:
- * \varnothing Important Dimension.
 - * Waterproof Rate: IP68.
IP68: 1M depth of water in 24 Hrs.
(防水等級: IP68)
IP68: 水深一米測試24小時
 - * Shell: Zinc Alloy#3, Ni Plated, Silver.
 - * Insulation: Nylon, Black.
 - * Female Pin: Copper Alloy, Silver Plated.
 - * Gasket: Silicone, Gray.
 - * Screw: Stainless Steel.
 - * Recommended Panel Thickness 9mm(Max).

UNIT: mm		
TOLERANCE	.X ±0.25	
	.XX ±0.1	
	.XXX ±0.05	
ANGLES	±1°	

TITLE PANEL SCREW 4PIN M CONN F PIN			
SCALE 1:1	SIZE A4	SHEET 1 OF 1	
REV. B	WC-REV. A.2	QC: Inspection item	

Amphenol LTW
安費諾亮泰企業股份有限公司

ITEM NO. LB20-04PMFS-SW8001	DRAWN BY Vicky	DATE 2016-05-04
DWG NO. LB20-04PMFS-SW8001	CHECKED BY Rita	DATE 2016-05-04
CUSTOMER ALTW	APPROVED BY Lisa	DATE 2016-05-04

THIS DOCUMENT IS SUBJECT TO CHANGE WITHOUT NOTICE. IT IS CONFIDENTIAL AND A PROPERTY OF AMPHENOL LTW. DISCLOSURE TO THIRD PARTY HAS TO BE AUTHORIZED BY AMPHENOL LTW.