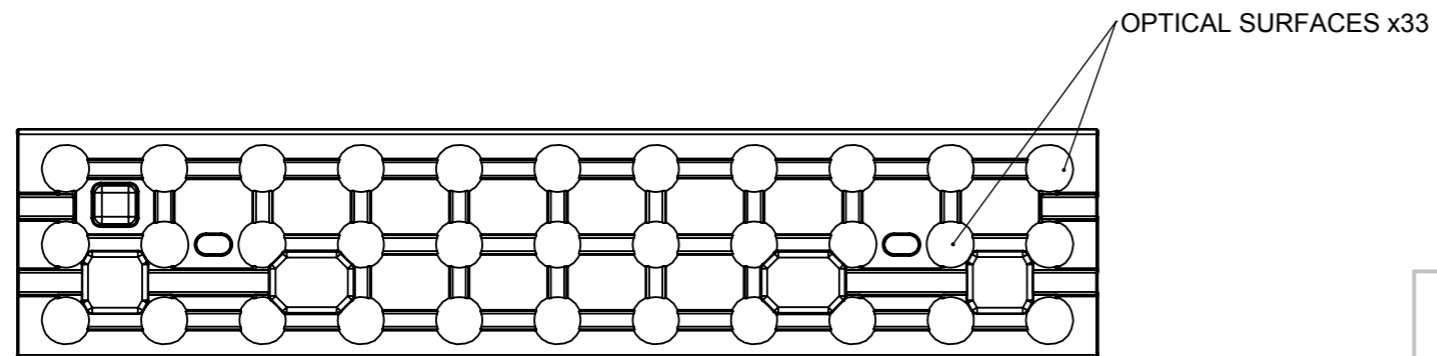
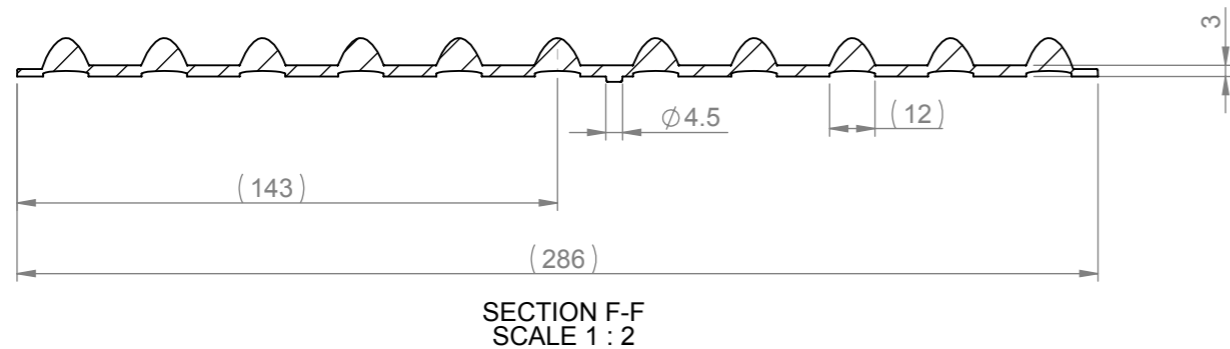
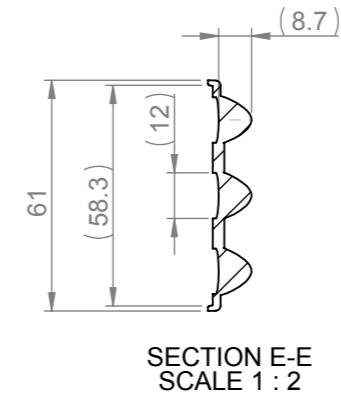
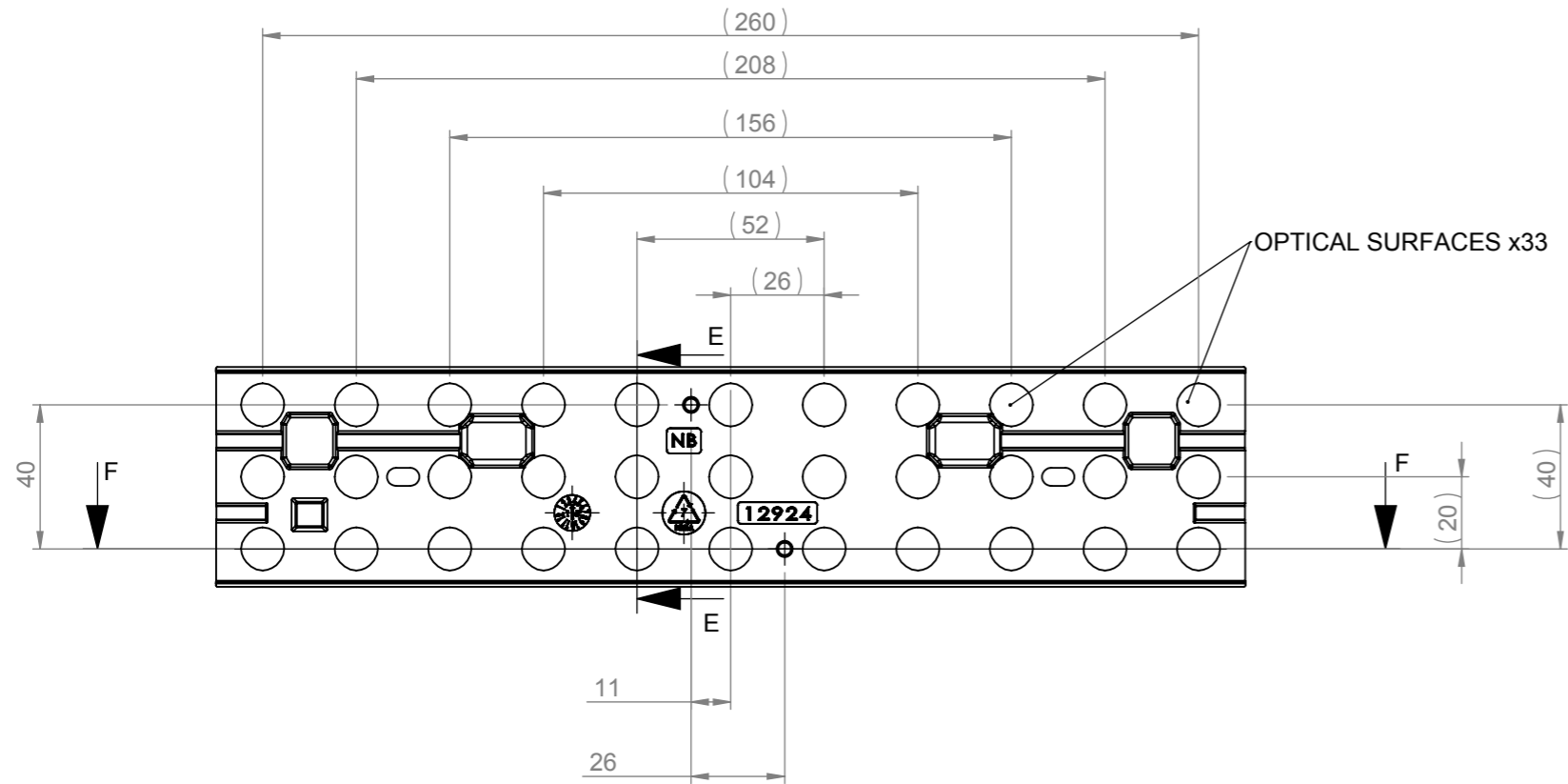


CUSTOMER DRAWING

REVISIONS				
REV.	D.C.N NUMBER	DESCRIPTION	DATE	APPROVED
D1		FIRST ISSUE	27/03/15	NA
D2	1404	[NB] MOVED - TOOLMAKER REQUEST. P.SUTTON	09/04/2015	
D3	1431	CONNECTOR BOX TEXTURE MODS. P.SUTTON	16/07/2015	MB 17/07/15
1	1434	FUSEBOX ADDITION & PROD RELEASE. PJS	10/09/2015	



NOTES:

- 1 - MATERIAL: PMMA
- 2 - FINISH: OPTICAL SURFACES ARE OPTICALLY POLISHED TO SPI-A1
- 3 - OVERALL PART THICKNESS = SEE 3D FILE
- 4 - GENERAL DRAFT 2°
- 5 - GENERAL FILLET 0.25MM
- 6 - DIMENSIONS IN BRACKETS ARE FOR INFORMATION ONLY AND NOT FOR INSPECTION

SHEET 2 OF 2

<p>Unit 6-7 Faraday Road Rabans Lane Industrial Area, Aylesbury, HP19 8RY, UK. Tel: +44(0) 01753 575 011 sales@carclo-optics.com www.carclo-optics.com</p>		Title		Mid-Power Array Narrow Beam - Symmetrical Flange							
THIRD ANGLE PROJECTION		TOLERANCE ACCORDING TO NORM: DIN 16742 Tol Group TG6		CARCLO Optics CONFIDENTIAL: UNAUTHORISED COPYING, DISCUSSION & DISTRIBUTION PROHIBITED		DIMENSION IN mm		Format Size		A3	
Drawn by		B.Bercof		Customer		CARCLO OPTICS		Scale		1:2	
CAD File		12924_Rev-1_NB_SBoard		Part N°		12924		RFQ N°		000297	