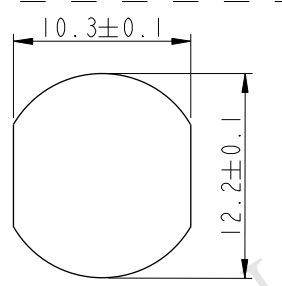
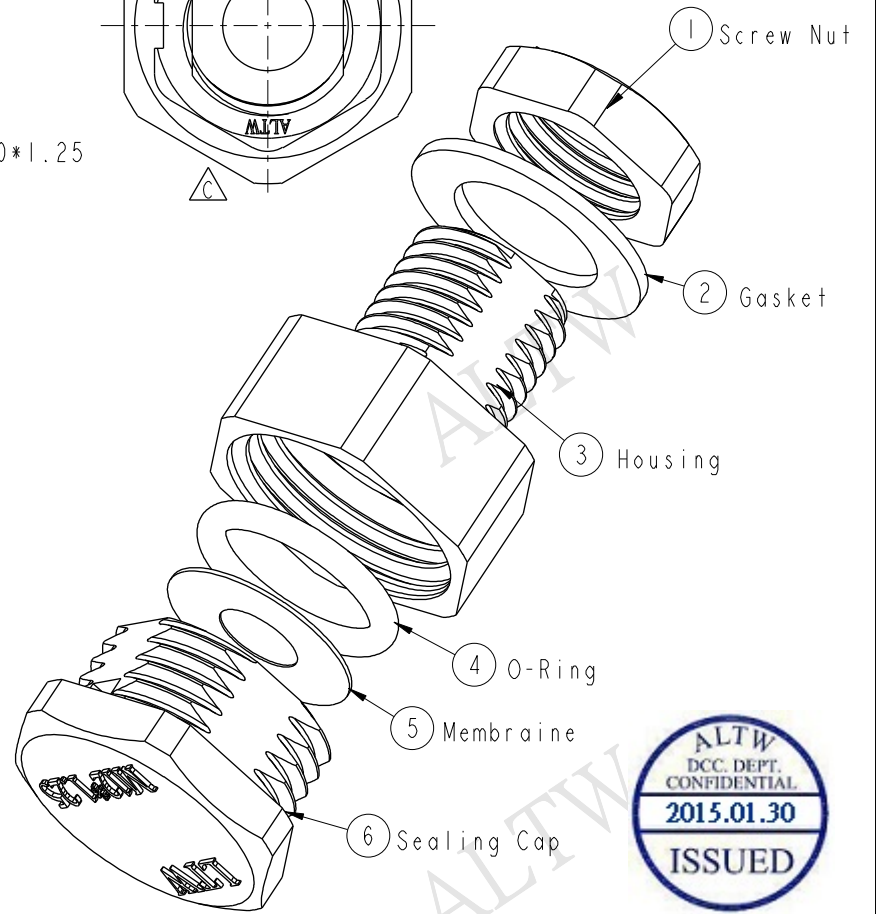
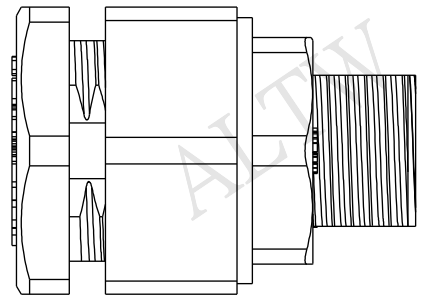
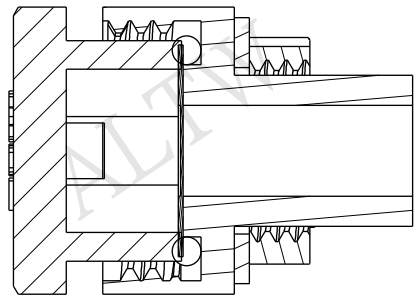
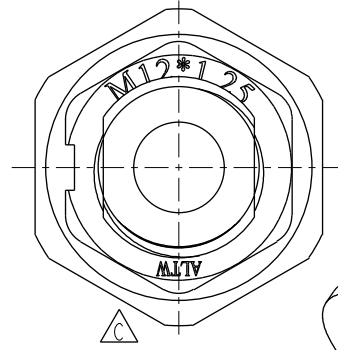
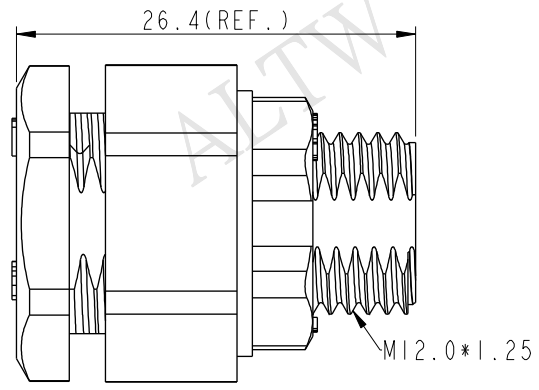
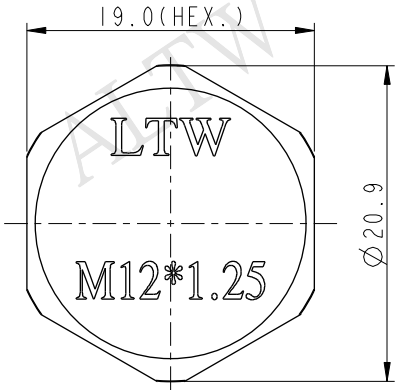


REV.	ECN NO.	DATE	SIGN	DESCRIPTION
B	LEN-940043	2009/04/03	TOMMY	ADD THE NOTE
C	LEN1510684	2015/01/21	Ruru	Change Logo



- Note:
- * \varnothing Important Dimension
 - * Waterproof Rate: IP67
 - * Nut: Black, Nylon 66
 - * Gasket: Black, EPDM
 - * Housing: Black, PBT+PC
 - * O-Ring: Black, EPDM
 - * Membrane: White, PTFE
 - * Sealing Cap: Black, PBT+PC
 - * Maximum Panel Thickness: 6.5mm
 - * Air permeability: 10sec/100cm
 - * Water entry pressure: 200kPa

ALTW
CONFIDENTIAL
2015-01-21
R&D DEPT.

ALTW
DCC. DEPT.
CONFIDENTIAL
2015.01.30
ISSUED

UNIT: mm		
TOLERANCE	.X ±0.25	
	.XX ±0.1	
	.XXX ±0.05	
ANGLES	±1°	

TITLE M12 Vent			
SCALE 2:1	SIZE A4	SHEET 1 OF 1	
REV. C	WC-REV. A.3	\varnothing : Inspection item	

Amphenol LTW
安費諾亮泰企業股份有限公司

ITEM NO VENT-BD002	DRAWN BY Ruru	DATE 2015-01-21
DWG NO VENT-BD002	CHECKED BY Rita	DATE 2015-01-21
CUSTOMER ALTW	APPROVED BY Win	DATE 2015-01-21

THIS DOCUMENT IS SUBJECT TO CHANGE WITHOUT NOTICE. IT IS CONFIDENTIAL AND A PROPERTY OF AMPHENOL LTW. DISCLOSURE TO THIRD PARTY HAS TO BE AUTHORIZED BY AMPHENOL LTW.