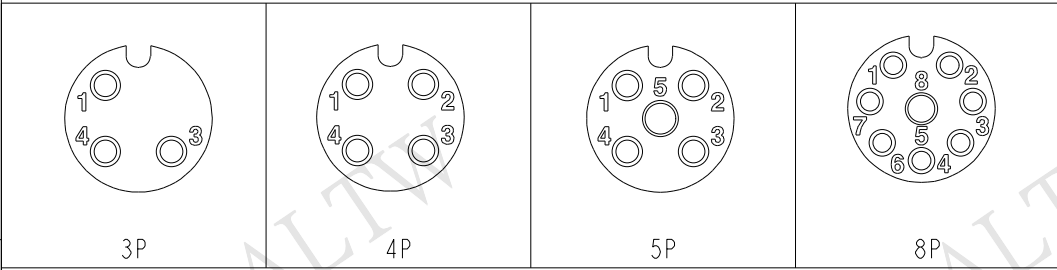
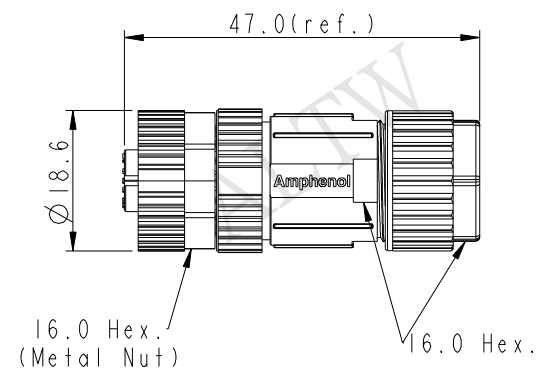
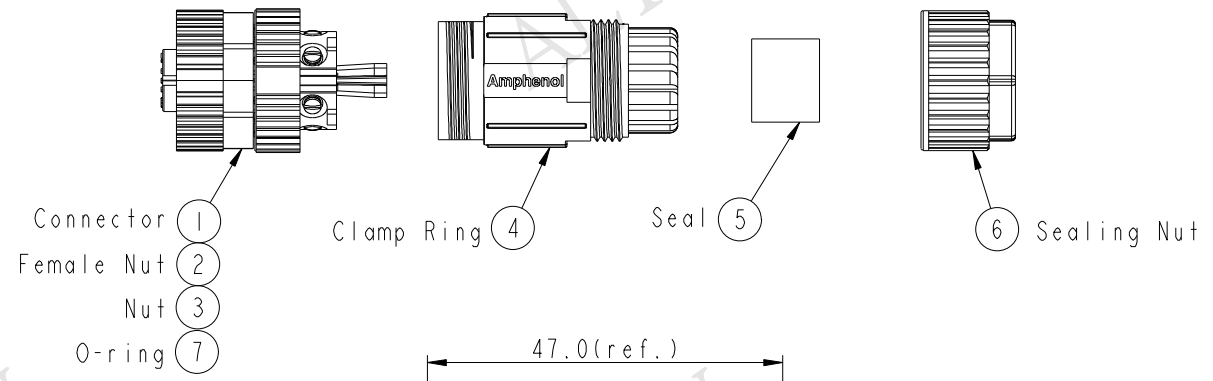


THIS DOCUMENT IS SUBJECT TO CHANGE WITHOUT NOTICE. IT IS CONFIDENTIAL AND A PROPERTY OF Amphenol LTW. DISCLOSURE TO THIRD PARTY HAS TO BE AUTHORIZED BY Amphenol LTW.

REV.	ECN NO.	DATE	SIGN	DESCRIPTION

ALTW
 CONFIDENTIAL
 2015-09-29
 R&D DEPT.

ALTW
 DCC. DEPT.
 CONFIDENTIAL
 2015.10.28
 ISSUED

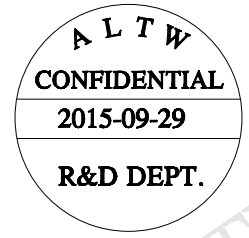
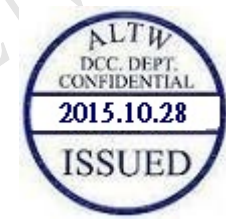


Pin Assignments Front View

UNIT: mm TOLERANCE $\pm 0.5\text{mm}$	TITLE M12 A-code Assy F Conn. F Pin		Amphenol LTW 安費諾亮泰企業股份有限公司		ITEM NO. DWG NO. CUSTOMER	DRAWN BY Mila	DATE 2015-09-29
	SCALE 1:1	SIZE A4			SHEET 1 OF 2	CHECKED BY Cary	DATE 2015-09-29
	REV. A	WC-REV. A.3	QC: Inspection item	APPROVED BY Jerry	DATE 2015-09-29		

M 12A - XX B F F B - S L 7 001

12A: A-Code
 03: 3Pin
 04: 4Pin
 05: 5Pin
 08: 8Pin
 B: Without S/R(無網尾)
 F: Female Connector(母座)
 F: Female Pin(母Pin)
 001: Without Cable
 7: IP67(防水等級67)
 L: Straight(180°)
 S: Screw(螺紋式)
 B: Screw in Type(組裝式)



- Note:
- * (C) Important Dimension To Check.
 - * Waterproof Rate: IP67
 - * Housing: Nylon, Black
 - * Clamp Cage: Nylon, Black
 - * Female Pin: Copper Alloy, Gold Plated
 - * Female Nut: Zinc Alloy, Nickel Plated
 - * Nut: Zinc Alloy, Nickel Plated
 - * O-Ring: Silicon, Grey
 - * Clamp Ring: Nylon, Black
 - * Sealing Nut: PBT+PC, Black
 - * Seal: Silicon, Grey
 - * Seal For Cable OD: $\phi 4.0\text{mm} \sim \phi 8.0\text{mm}$
 - * Screws for Wire connection recommended tightening torque: 0.61~0.84 kgf.cm / 0.059~0.082 N.m
 - * Applicable Wire gauge (Stranded wire cross section) 0.14mm² (26AWG) ~ 0.82mm² (18AWG)
 - * Mating Recommended tightening torque: 3~4 kgf.cm / 0.29~0.39 N.m
 - * Sealing-Nut Recommended tightening torque: 4~6 kgf.cm / 0.39~0.59 N.m
 - * Detailed applicable wire specifications may vary depending on the actual wire construction.

UNIT: mm TOLERANCE $\pm 0.5\text{mm}$	TITLE M12 A-code Assy F Conn. F Pin		ITEM NO		DRAWN BY Mila	DATE 2015-09-29
	SCALE 1:1	SIZE A4	SHEET 2	OF 2	CHECKED BY Cary	DATE 2015-09-29
	REV. A	WC-REV. A.3	((C)): Inspection item		APPROVED BY Jerry	DATE 2015-09-29
DWG NO M12A-XXBFFB-SL7001			CUSTOMER ALTW		DATE 2015-09-29	

Amphenol LTW
安費諾亮泰企業股份有限公司