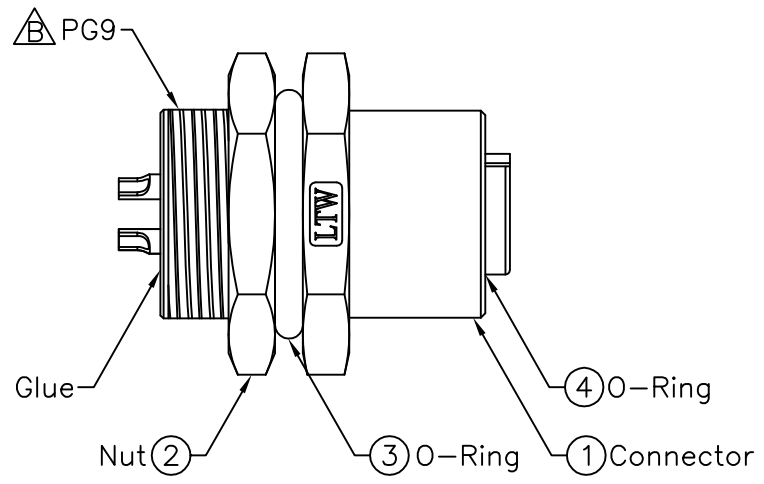
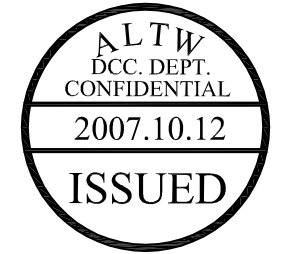
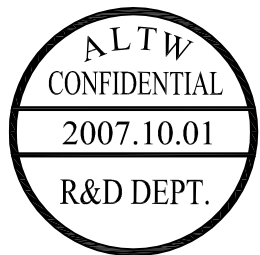
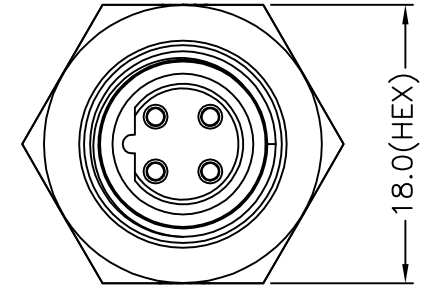
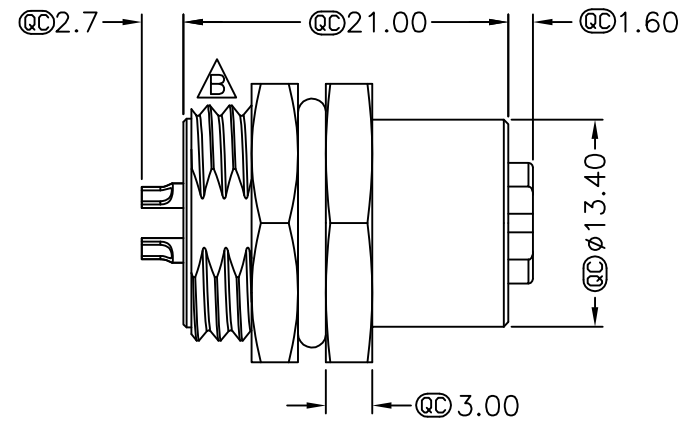
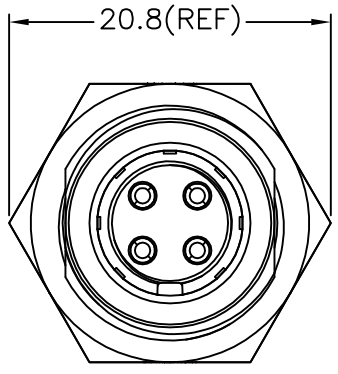
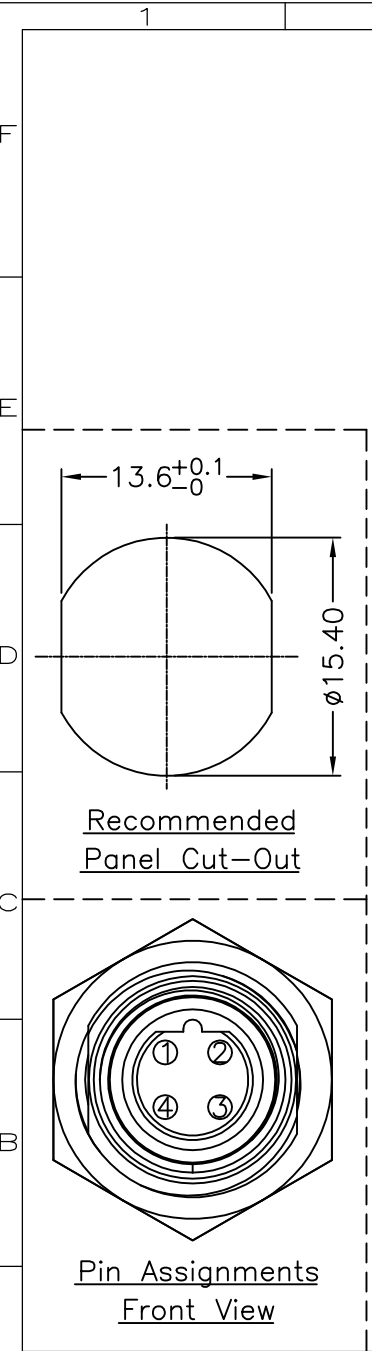


5	6	7	8
REV	ECN NO.	DATE	SIGN
B	LE3-740201	2007/04/11	Myrdal
C	LEN-7A0030	2007/10/01	Myrdal
			DESCRIPTION
			Change Thread Style To PG9
			Added Note

THIS DOCUMENT IS SUBJECT TO CHANGE WITHOUT NOTICE. IT IS CONFIDENTIAL AND A PROPERTY OF Amphenol LTW. DISCLOSURE TO THIRD PARTY HAS TO BE AUTHORIZED BY Amphenol LTW.



- Note:
- \*  $\textcircled{C}$  Important Dimension.
  - \* Waterproof Rate: IP68
  - \* Housing: Black, Nylon+GF
  - \* Female Pin: Copper Alloy, Gold Plated
  - \* Shield: Zinc Alloy, Nickel Plated
  - \* Nut: Zinc Alloy, Nickel Plated
  - \* O-Ring: Black, EPDM
  - \* For Panel Thickness Max 4.5mm
  - \*  $\triangle$  Nut Torque: 4-6 kgf.cm

UNIT:mm	
TOLERANCE	
.X	$\pm 0.25$
.XX	$\pm 0.1$
.XXX	$\pm 0.05$
ANGLES	$\pm 1^\circ$

TITLE	M12 B Code	
	Panel Screw 4Pin F Conn F Pin	
SCALE	Free	SHEET 1 OF 1
REV. C	SIZE A4	$\textcircled{C}$ : Inspection Item

**Amphenol LTW**  
安費諾亮泰企業股份有限公司

ITEM NO	12B-04PFFS-SH8001
DWG NO	12B-04PFFS-SH8001
CUSTOMER	ALTW

DRAWN BY	Myrdal Manzano
CHECKED BY	Alan MJ Sundo
APPROVED BY	Cloud

DATE	2007/10/01
DATE	2007/10/02
DATE	2007/10/04