

无锡光泰玻璃制品有限公司

WUXI GUANGTAI GLASS LENS CO.LTD

Contact person: susan

email: san@glass-lens.cn

Tel: +86 510-85452823

Mobile: +86 13961719874

Skype:gtlens006

Web: <http://www.glass-lens.com/>

PRODUCT SPECIFICATION

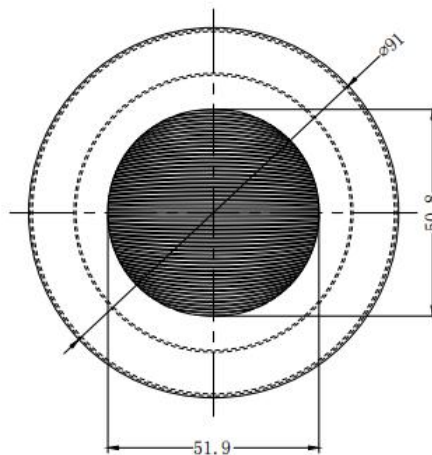
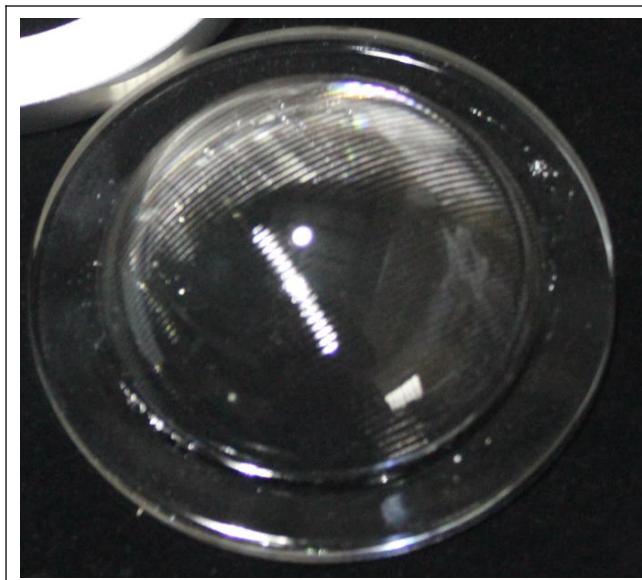
PART NO 产品型号 : GT-91-1 LINE

Checked 审核		Prepared 制作	
Customer Approve 客户核准			

无锡光泰玻璃制品有限公司

Production Introduction

1. Model: GT-91NA

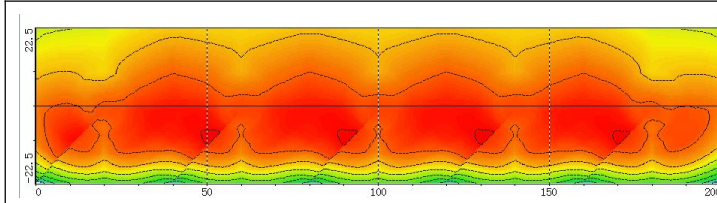


二. Features:

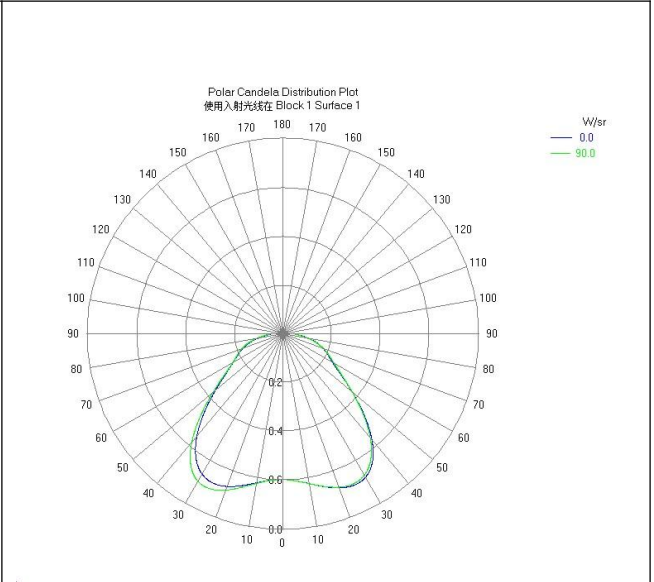
- (1) Material: Optical Glass (Borosilicate glass)
- (2) Angle : 120 degree
- (3) Heat resistant: -50-500 degree
- (4) Transmittance: above 94%
- (5) Refractive index: 1.474
- (6) Quality: clear and transparent, no bubble and impurity inside

无锡光泰玻璃制品有限公司

二、Engineering drawing



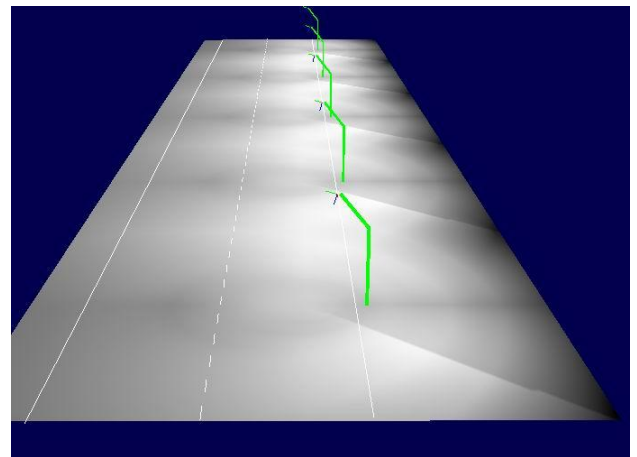
Light energy distribution



Optical simulation



Light Pattern



Scene simulation effect chart

无锡光泰玻璃制品有限公司

三. Application:

Used for integrated chip 30-100w, high bay light , tunnel lights and so on.

