

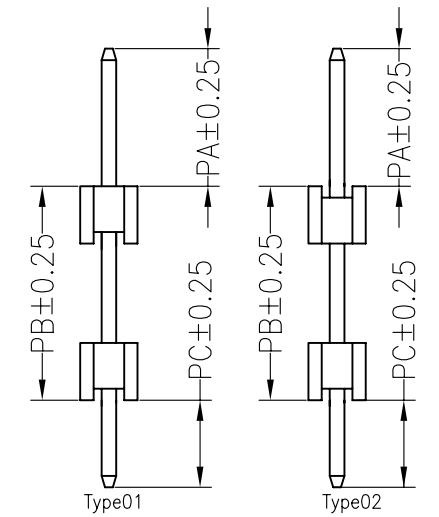
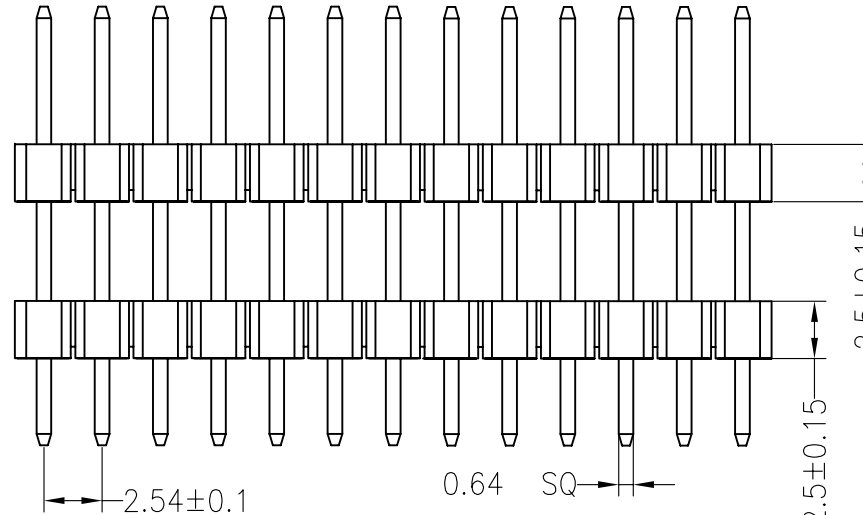
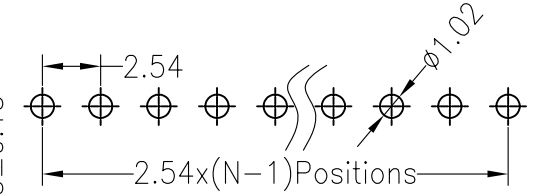
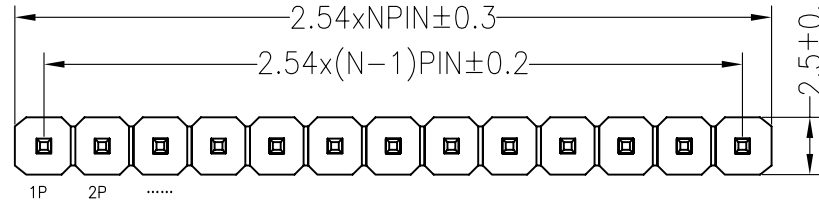


SPECIFICATIONS

Rated Current:3.0AMP
 Contact Resistance:20mΩ Max
 Withstand Voltage:1000V AC/DC
 Insulation Resistance:1000MΩ Min
 Operation Temperature:-40°c to +105°c

Contact Material:Brass
 Contact Plating:Au or Sn Over Ni
 Insulator Material:Polyester(UL94V-0)
 Standard: PA6T
 Max.Processing Temp: 180°C for 30-60 seconds
 (200°C for 10 seconds)

Recommended P.C.B Layout(Top Side)
 (PCB BOARD TOLERANCE±0.05)



Dimension antitheses list					
ITEM	PC	PA	PB	L	TYPE
Standard	3.0	6.0			TYPE01
Alternate	3.3	6.5	28	37.8	TYPE01

				OPERATION		DRAW	WZG	14.04.16	SCALE	FIT	Conntherm	
				X.X	±0.30				UNIT	mm		
				X.XX	±0.20	CHECK	SIZE	A4	PART NO.			
				X.XXX	±0.10		APPROVE	SHEET	1/1	TITLE:		
REV	DATE	MODIFICATION DESCRIPTION	CHANGE	DIM	TOL			PROJ.	◆		2.54PH H2.50mm Single 180°	

1 2 3 4 5 6 7 8 9

G

F

E

D

C

B

A