

REV	ECN NO.	CONTENT	CHK	DATE
V0.0		初版	ZCP	2016.11.24

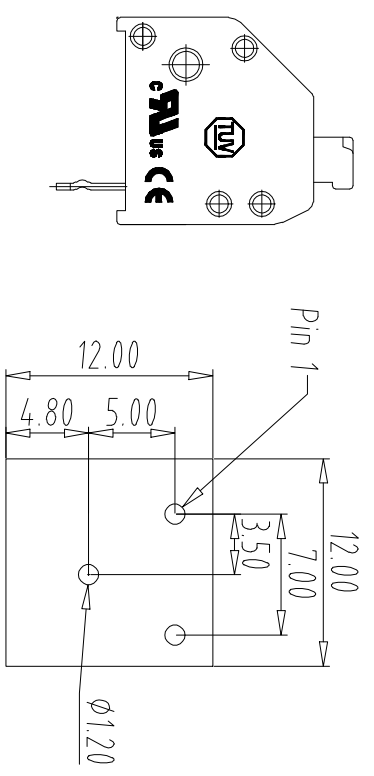
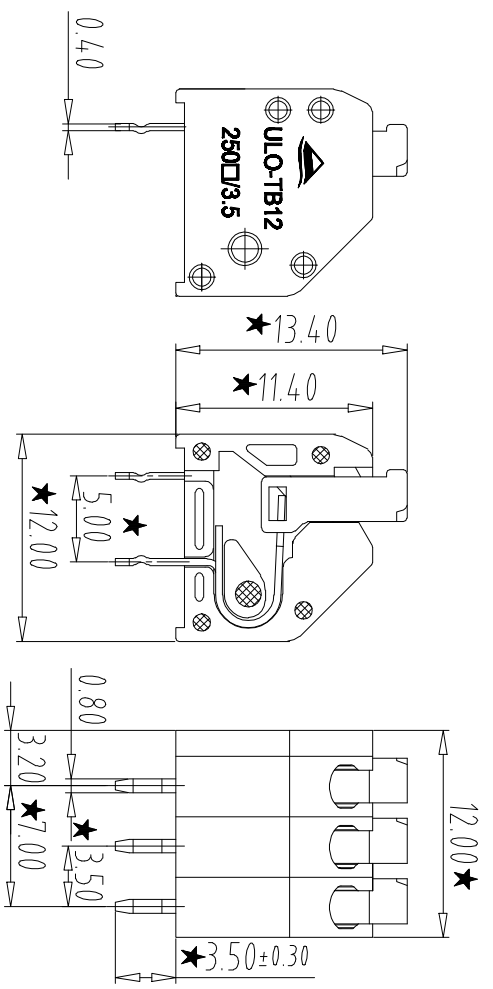
NOTES:

- Rating: 300V/10A
<IEC> 250V/10.5A
- Poles:03P
- Insulation Withstands Voltage: AC2000V/1 Min
- Insulation Resistance: 500M Ω at DC500V
- Using Temperature Range: -40°C/+115°C
- Max soldering : +250° for 5S
- RoHS Compliance.
- Suitable Electric Wire:28-18AWG(UL) 0.2-1.0mm² (IEC)
- With" ★ "is important dimension

How to order

UL0-TB12 - 250A/3.5 - 03P -1 0 0 0A

Certificate Factory poles color: Customer requirements
 Series NO. Code 1:Grey 2:Blue 3:Black 4:Green 5:Orange 6:Red 7:transparent 8:Yellow 9:White



PCB LAYOUT

Total Pitch Tolerances		Nominal dimension range	
in mm		in mm	
0	over	0	over
30	over	30	over
53	over	53	over
70	to	70	to
90	to	90	to
115	to	115	to
150	to	150	to
200	to	200	to
250	to	250	to
320	to	320	to
30	to	30	to
53	to	53	to
70	to	70	to
90	to	90	to
115	to	115	to
150	to	150	to
200	to	200	to
250	to	250	to
320	to	320	to
±0.18	±0.20	±0.3	±0.35
±0.44	±0.55	±0.70	±0.75
±0.20	±0.25	±0.30	±0.35
±0.44	±0.55	±0.70	±0.80
0.2	0.3	0.2	0.3
0.2	0.3	0.2	0.3
0.5	0.5	0.5	0.5

5	SHORT-PIN	3001B9020	1	Phosphor bronze	Tin Plated
4	LONG-PIN	3001B9010	2	Phosphor bronze	Tin Plated
3	LEVER	3001D0Y00A	3	PA66	UL94V-0
2	Cover	3001C0Y00A	1	PA66	UL94V-0
1	Housing	3001A0YXXA	3	PA66	UL94V-0
DWG	ZCP	DATE	16.11.24	UNITS	MM
CHK	DATE	SCALE	1:1	SHEET/OF	1/1
APP	DATE	NAME	UL0-TB12-250A/3.5-03P-1000A		
		DWGNO	UL0TB12Y000A		