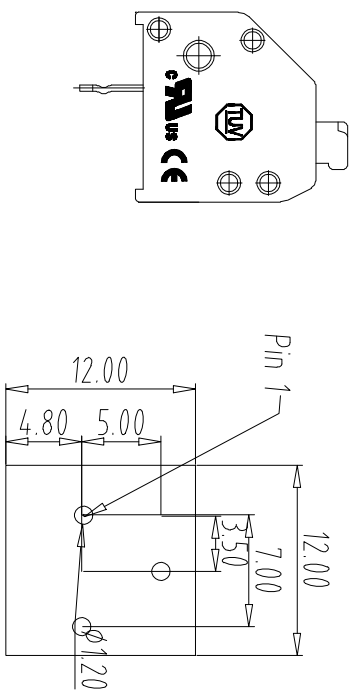
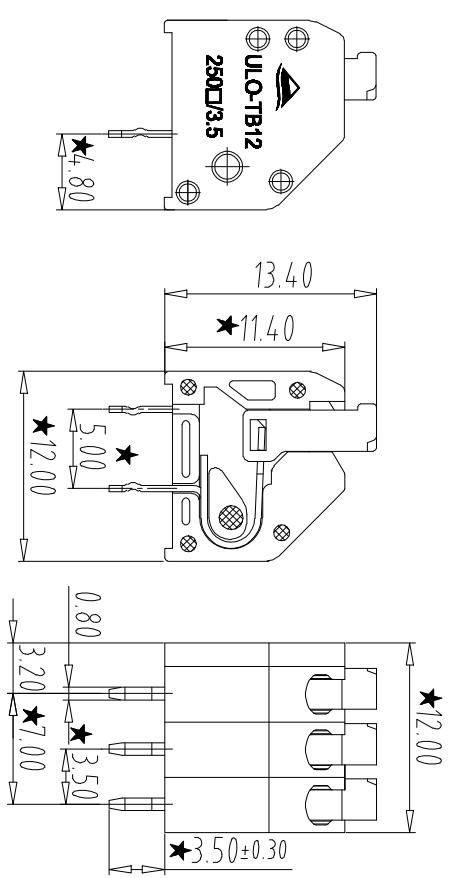


FILE: 2016-002.U1.0	5	4	3	2	1
REV	E.C.N. NO.	CONTENT	CHK	DATE	
V0.0		初版	ZCP	2016.11.24	

NOTES:

- Rating: 300V/10A
<IEC> 250V/10.5A
- Poles: 03P
- Insulation Withstands Voltage: AC2000V/1 Min
- Insulation Resistance: 500M Ω at DC500V
- Using Temperature Range: -40°C/+15°C
- Max soldering : +250° for SS
- RoHS Compliance
- Suitable Electric Wire: 28-18AWG(IUL) 0.2-1.0mm² (IEC)
- With "★" is important dimension



How to order
ULQ-TB12 - 250B/3.5 - 03P - 1 0 0 0A

Certificate Factory poles color: Customer
 Series NO. Code requirements

2: Blue
 3: Black
 4: Green
 5: Orange
 6: Red
 7: Transparent
 8: Yellow
 9: White

5	SHORT-PIN	300B0020	1	Phosphor bronze Tin Plated
4	LONG-PIN	300B0010	2	Phosphor bronze Tin Plated
3	LEVER	300D0Y00A	3	PA66 UL94V-0
2	Cover	300C0Y00A	1	PA66 UL94V-0
1	Housing	300A0YXXA	3	PA66 UL94V-0
DMG	ZCP	DATE	16.11.24	UNITS
CHK	DATE	SCALE	1:1	A4
APP	DATE	NAME	ULQ-TB12-250B/3.5-03P-1000A	

Total Pitch Tolerances		Nominal dimension range		Tolerance		Tolerance	
in mm		in mm		mm		mm	
0	over	0	over	0	over	0	over
38	to	38	to	0.2	to	0.2	to
53	to	53	to	0.3	to	0.3	to
70	to	70	to	0.3	to	0.3	to
94	to	94	to	0.3	to	0.3	to
115	to	115	to	0.3	to	0.3	to
154	to	154	to	0.3	to	0.3	to
200	to	200	to	0.3	to	0.3	to
250	to	250	to	0.3	to	0.3	to
320	to	320	to	0.3	to	0.3	to
380	to	380	to	0.3	to	0.3	to
440	to	440	to	0.3	to	0.3	to
500	to	500	to	0.3	to	0.3	to

NINGBO ULQ ELECTRONICS CO.,LTD. REV:1.1