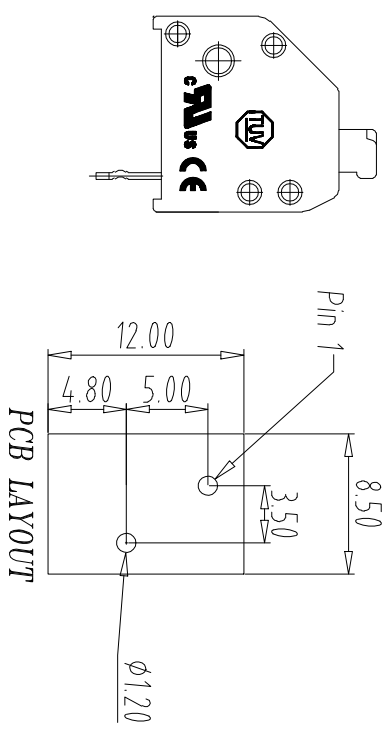
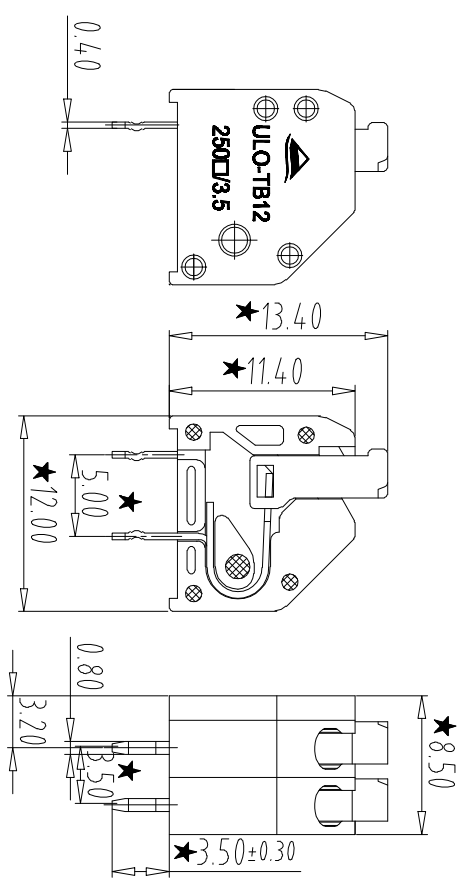


REV	ECN NO.	CONTENT	CHK	DATE
V0.0		初版	ZCP	2016.11.24



Total Pitch Tolerances		Nominal dimension range	
over	under	over	under
0	30	53	71
to	to	to	to
30	53	71	90
to	to	to	to
53	71	90	115
to	to	to	to
71	90	115	150
to	to	to	to
90	115	150	200
to	to	to	to
115	150	200	250
to	to	to	to
150	200	250	320
to	to	to	to
200	250	320	30
to	to	to	to
250	320	30	53
to	to	to	to
320	30	53	71
to	to	to	to
30	53	71	90
to	to	to	to
53	71	90	115
to	to	to	to
71	90	115	150
to	to	to	to
90	115	150	200
to	to	to	to
115	150	200	250
to	to	to	to
150	200	250	320
to	to	to	to
200	250	320	10
to	to	to	to
250	320	10	0.3
to	to	to	to
320	10	0.3	0.3
to	to	to	to
10	0.3	0.3	0.2
to	to	to	to
0.3	0.3	0.2	0.3
to	to	to	to
0.3	0.2	0.3	0.5
to	to	to	to
0.5	0.5	0.5	0.5

- NOTES:
- Rating: 300V/10A <IEC> 250V/10.5A
 - Poles:03P
 - Insulation Withstands Voltage: AC2000V/1 Min
 - Insulation Resistance: 500M Ω at DC500V
 - Using Temperature Range: -40°C/+115°C
 - Max soldering : +250° for 5S
 - RoHS Compliance.
 - Suitable Electric Wire:28-18AWG(UL) 0.2-1.0mm² (IEC) 9 With" ★ "is important dimension

How to order
UL0-TB12 - 250A/3.5 - 03P -1 0 0 0A

Certificate Factory poles color: Customer
 Series NO. Code 1:Grey requirements
 2:Blue
 3:Black
 4:Green
 5:Orange
 6:Red
 7:transparent
 8:Yellow
 9:White

5	SHORT-PIN	300/B0020	1	Phosphor bronze	Tin Plated
4	LONG-PIN	300/B0010	2	Phosphor bronze	Tin Plated
3	LEVER	300/D0Y00A	3	P466	UL94V-0
2	Cover	300/C0Y00A	1	P466	UL94V-0
1	Housing	300/A0YXXA	3	P466	UL94V-0
DWG.	ZCP	DATE	16.11.24	UNITS	MM
CHK.	DATE	SCALE	1:1	SHEET/OF	4/
APP.	DATE	NAME	UL0-TB12-250A/3.5-03P-1000A		
		NAME	UL0TB12Y000A		