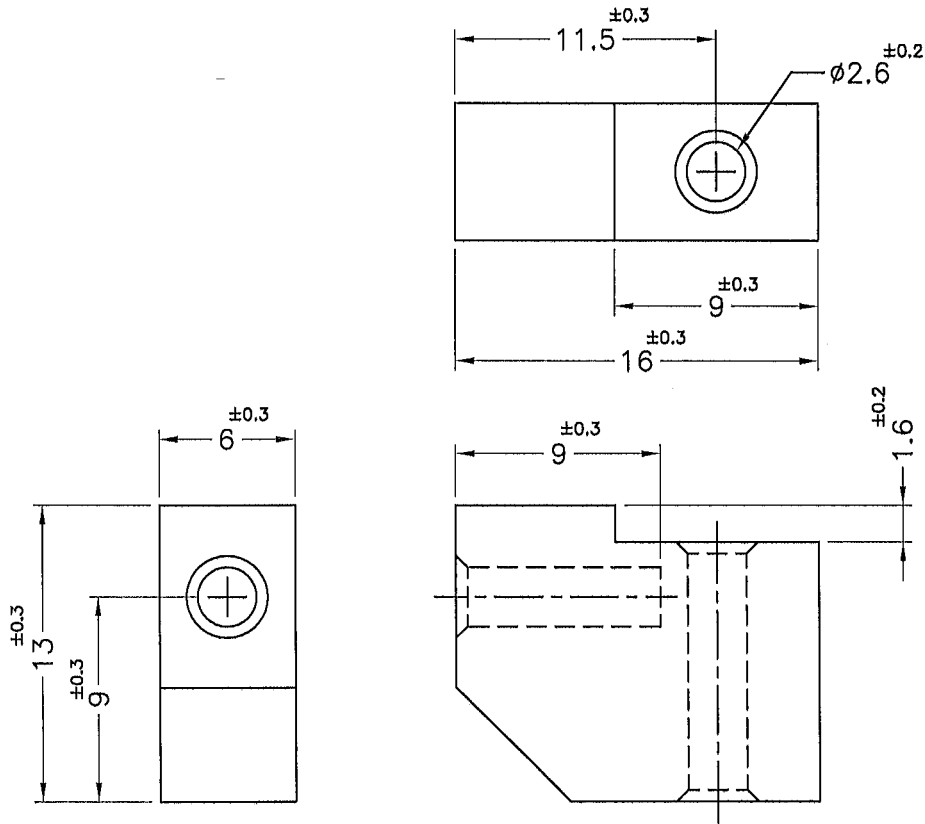



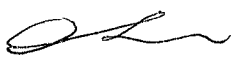
| REVISIONS |             |      |    |
|-----------|-------------|------|----|
| REV       | DESCRIPTION | DATE | BY |
|           |             |      |    |
|           |             |      |    |



| PART NO.   | MATERIAL         | COLOR          |
|------------|------------------|----------------|
| PMB-1      | NYLON 66 UL94V-2 | NATURAL        |
| PMB-1(B)   |                  | BLACK          |
| PMB-1V0    | NYLON 66 UL94V-0 | NATURAL(WHITE) |
| PMB-1V0(B) |                  | BLACK          |

NOTE:MADE OF EQUIVALENT MATERIAL.  
可使用同等材質



|  |          |                |            |   |
|--|----------|----------------|------------|---|
|  <p>康揚企業股份有限公司<br/>KANG YANG HARDWARE ENTERPRISE CO., LTD.<br/>康揚塑膠(東莞)有限公司<br/>KANG YANG PLASTIC(DONG GUAN) CO., LTD.<br/>康哲電腦配件(吳江)有限公司<br/>KANG CHE COMPUTER COMPONENTS(WUJIANG) CO., LTD.</p> | TITLE    |                | SPEC. DWG. |   |
|  | MATERIAL |                | DATE       |   |
|  | FINISH   |                | DRAWN      |   |
|  | COLOR    |                | CHECK      |   |
| PART NUMBER  |          | DRAWING NUMBER |            |  |
| SEE ABOVE  |          | PMB-1H         |            |   |
| SIZE   | SCALE    | UNIT           | REV        |   |
| A4   | 3:1      | mm             | B          | UNLESS OTHERWISE SPECIFIED TOLERANCE  |
|  |          | SEE ABOVE      |            | APPROVED  |