

Audio And video Accessories

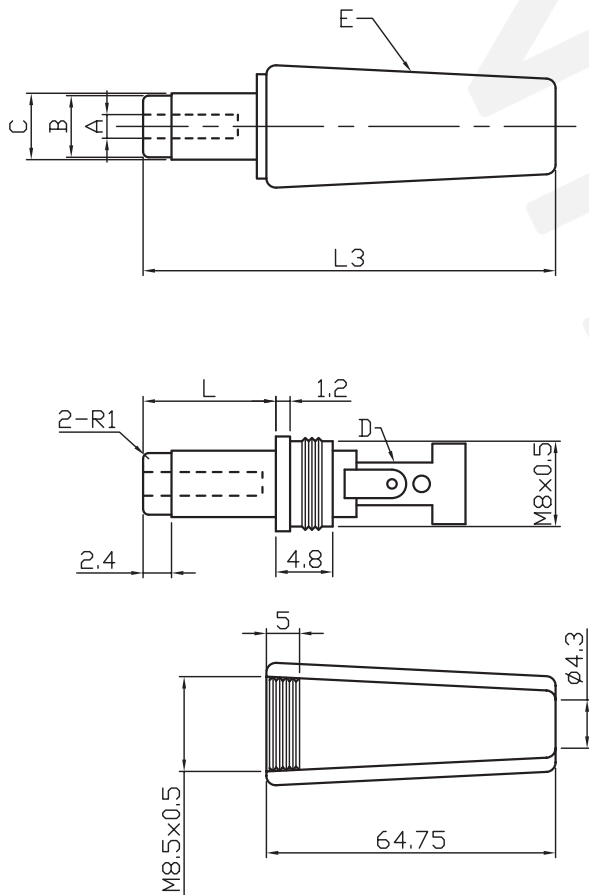
DC Plug

Technical parameters:

Contact resistance: 0.03Ω, max
 Insulation resistance: 100MΩ, min
 Pressure: AC500V (50Hz) / 1minute
 Rated Load: DC30V,1.0A
 Actuating Force: 3~20N
 Life: 5000 times
 Operating Temperature: -30°C ~ 70°C

Material:

Housing Material: PBT or PA66
 Center Pin Material: Brass



Part No.	A(mm)	C(mm)	L(mm)
1.1A	1.1	3.5	9
1.1B	1.1	3.8	9
1.3A	1.3	3.5	9
2.1A	2.1	5.5	9
2.1B	2.1	5.5	14
2.5A	2.5	5.5	9
2.5B	2.5	5.5	14