

CONN THERM

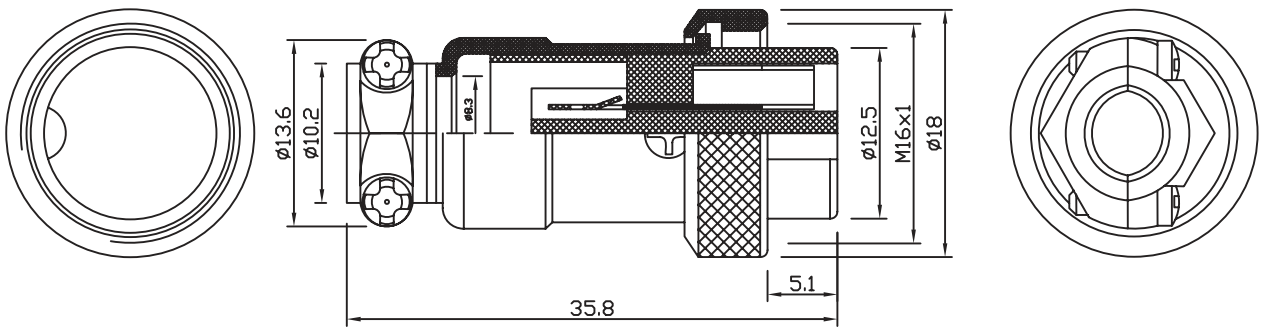
Connector

M16 Connectors Industrial Circular Series

Safety approval: UL Water proof IP \geq 55
 Subminiature aviation linkers are widely used for the Hi-Tech trade. The appearances of the products has two kinds, plug-type and thread type. Used in the installation of the panel, small, exquisite and sensitive. It's nickel-plated and easy to plug-in.

Electrical Characteristics:

Rated current: 2-4P: 7A
 5P: 5A
 6-10P: 4A
 Rated Voltage: 125V
 Operation Voltage: 200 VAC
 Withstanding Voltage :1500 VAC
 Insulation resistance :2000M Ω DC 500V
 Contact resistance: 10 m Ω DC1A
 Solder cup mouth diameter: 2-4P: 1.6 mm
 5P: 1.2 mm
 6-10P: 0.9 mm
 Solder diameter: 2-4P: 2.45 mm
 5P: 2 mm
 6-10P: 1.15 mm



2P	3P	4P	5P	6P
7P	8P	9P	10P	

TYPE Ordering

