

CONNTERM

Connector

I.D.C. EJECTOR HEADER 2.54mm(0.100")

Electrical Characteristics:

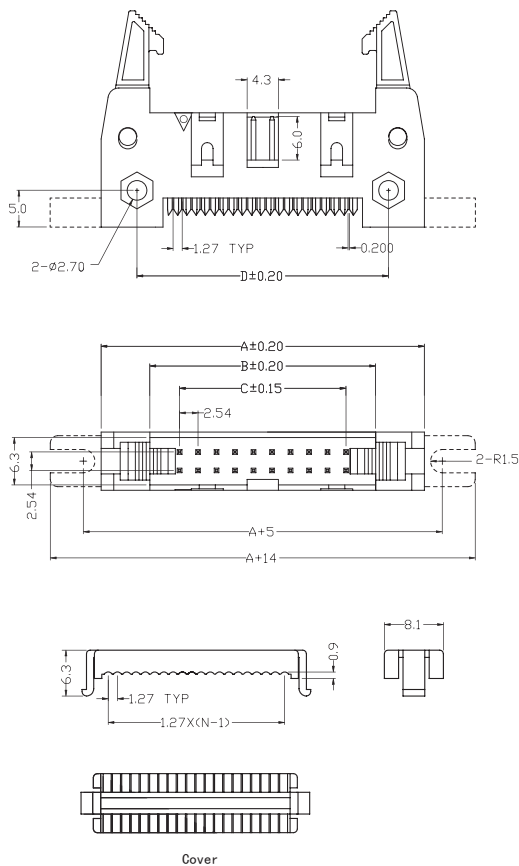
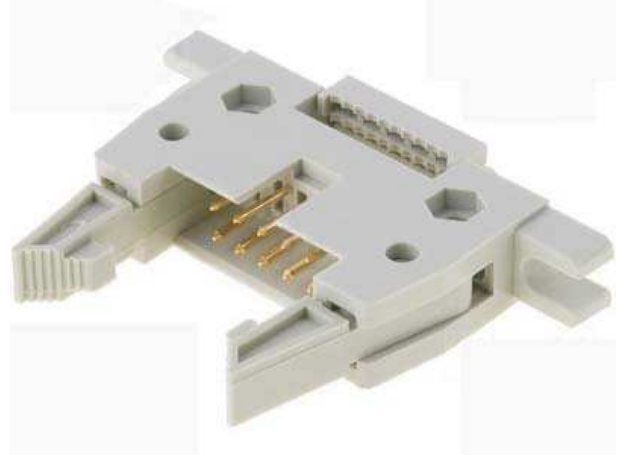
Current Rating: 1 AMP
 Insulator Resistance: 5000MΩmin. at DC 500V
 Contact Resistance: 20mΩmax. at DC 100mA
 Operating Temperature: -45°C~+105°C

Material:

Housing: 30% Glass filled PBT UL94V-0
 Contacts: Brass
 Plating: Selective gold plated : gold plated on mating area and nickel plated on wire Cutting area
 Cable: 1.27mm(0.050")pitch flat cable

Features:

- * Fully shrouded provides ultimate reliability,
- * Mounting ears optional.



Dimension

position	A	B	C	D
10	31.60	18.30	10.16	21.84
14	36.68	23.38	15.24	26.92
16	39.22	25.92	17.78	29.46
20	44.30	31.00	22.86	34.54
26	51.92	38.62	30.48	42.16
30	57.00	43.70	35.56	47.24
34	62.08	48.78	40.64	52.32
40	69.70	56.40	48.26	59.94
50	82.40	69.10	60.96	72.64