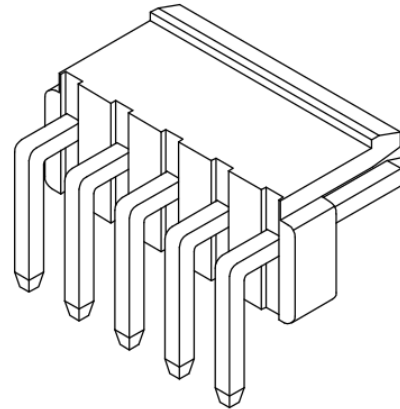
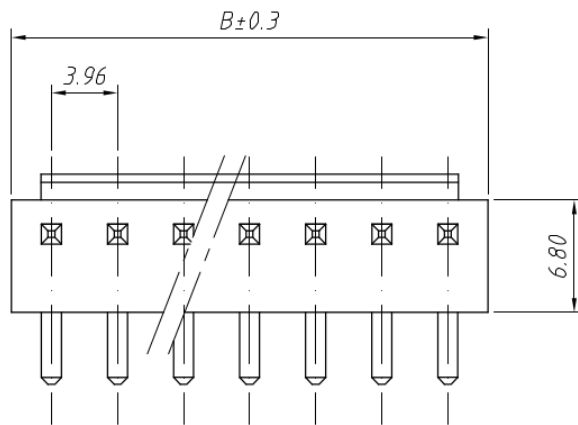
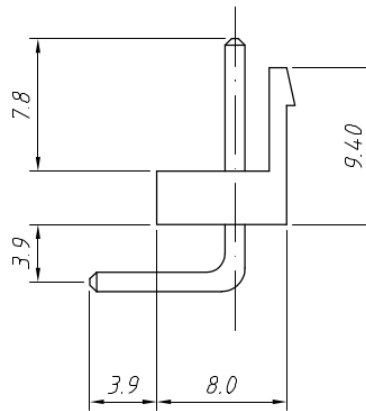
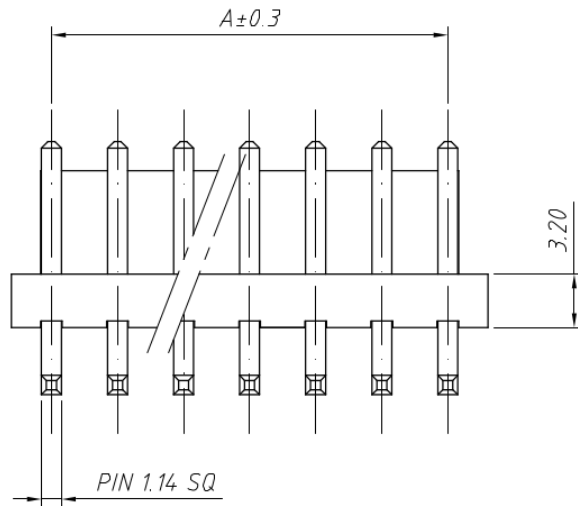


RoHS Compliance

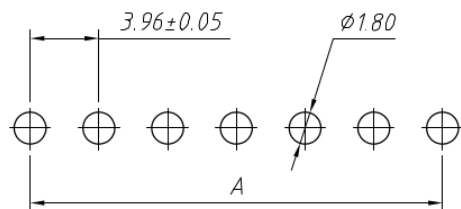


**Material:**  
 Housing: PA66, UL94V-0  
 Contact: Brass  
 Plating: Tin plated over Nickel

**Electrical Characteristics:**  
 Rated Current: 7.0AMP  
 Voltage rating: 250V AC, DC  
 Temperature range: -25°C ~ +85°C  
 Insulator Resistance: 1000MΩ Min  
 Withstanding Voltage: 1500V AC/minute  
 Contact Resistance: 20mΩ Max



Pins	Dimensions	
	A	B
02	3.96	7.92
03	7.92	11.88
04	11.88	15.84
05	15.84	19.80
06	19.80	23.76
07	23.76	27.72
08	27.72	31.68
09	31.68	35.64
10	35.64	39.60
11	39.60	43.56
12	43.56	47.52
13	47.52	51.48
14	51.48	55.44
15	55.44	59.40
16	59.40	63.36



Recommended PCB Layout

ANGLE TOLERANCE	PROJECTION	Description:	3.96mm JST VH Type Wire To Board Connector
±3°			
GENERAL TOLERANCE	UNITS	mm	<b>CONNTHERM</b>
x.x ±0.30	SHEET SIZE	A4	
x.xx ±0.20	Draw:	Daniel 2021-01-11	
x.xxx ±0.10	Check:	Daniel 2021-01-11	