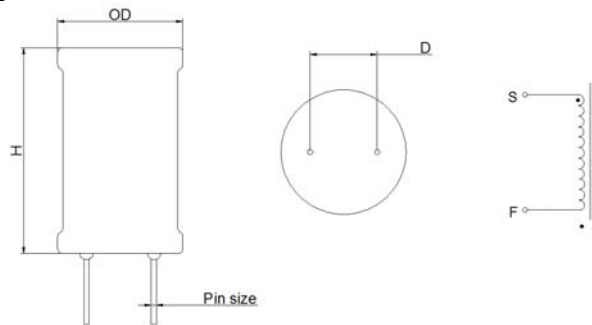


DRUM CORE CHOKES

FEATURES

- For Noise Suppression in Light Dimmers
- Saturable Chokes: Provides a High Impedance for Triac Switching Interferences and a Low Impedance for 50Hz Components
- Electrical Characteristics at 25°C

OUTLINE DIMENSIONS



ELECTRONIC SPECIFICATIONS

ZETTLER P/N	Inductance	Rated Current (A)	Resistance (mΩ)	OD (mm)	H (mm)	D (mm)	pin size (mm)	Approx. Weight (g)
XZM-B0608002	5.0mH ± 10%	0.1	15.6	7.5	9.9	3	0.6	2.5
XZM-B0608005	1.0mH ± 10%	0.2	2500	7.5	11	3	0.6	2.5
XZM-B0608006	68uH ± 10%	0.7	200	7.5	11	3	0.6	2.5
XZM-B0608008	150uH ± 10%	0.4	570	7	13	5	0.6	2.3
XZM-B0608013	3.0uH ± 10%	3.3	30	8	11	3	0.6	2.5
XZM-B0608015	3.3uH ± 20%	1.0	35	8	11	3	0.6	2.5
XZM-B0608016	3.3uH ± 20%	2.0	25	8	11	3	0.6	2.5
XZM-B0810009	6.8uH ± 10%	3.8	35	9.5	13.5	5	0.6	2.5
XZM-B0810011	3.3uH ± 10%	6.3	25	11	14	5	0.6	2.5
XZM-B0810012	110uH ± 10%	0.7	250	9.5	12.5	5	0.8	2.5
XZM-B0810017	1.0mH ± 10%	0.3	2100	10	13.5	5	0.6	2.3
XZM-B0810041	100uH ± 20%	1.3	150	10	13	5	0.8	2.5
XZM-B0810044	4.7uH ± 10%	3.8	20	10	13.5	5	0.8	2.5
XZM-B0810048	60uH ± 10%	2.0	100	10.5	13.5	5	0.8	2.9
XZM-B0810049	15uH ± 10%	2.8	30	10.5	13.5	5	0.8	2.5
XZM-B10100	10uH ± 10%	3.8	22	13	16	5	0.8	5
XZM-B10101	22uH ± 10%	3.3	26	11.5	16	5	0.8	5
XZM-B10104	220uH ± 15%	1.3	350	12.5	15.5	5	0.8	4.6
XZM-B10106	820uH ± 10%	0.6	740	11.5	16	5	0.8	5
XZM-B10107	680uH ± 10%	0.7	780	12.5	15	6	0.6	4.5
XZM-B10108	600uH ± 15%	0.7	820	11.5	17.5	5	0.8	4.5
XZM-B10109	47uH ± 10%	2.0	70	13	16	5	0.8	4.5
XZM-B10112	1.8mH min	0.5	1700	11.5	14.5	5	0.8	2.5
XZM-B10114	1.0mH ± 10%	0.5	1250	11.5	14.5	5	0.8	2.2
XZM-B10115	4.7mH ± 10%	0.3	4300	11.5	14.5	5	0.8	2.5
XZM-B1012003	1.5mH ± 10%	0.5	2000	11.5	14.5	5	0.8	2.5
XZM-B14001	27uH ± 10%	0.1	46	16	17.5	7.5	0.8	7.5
XZM-B242001	823uH ± 10%	3.8	250	26	22	19	0.7	41.5
XZM-B242002	333uH ± 10%	6.3	100	26	22	19	0.7	41.5