



Features

- Water Proof Solution, Full IP-65 Rating
- Stainless and Aluminum Housings Chassis Design
- 5-wire Resistive Touch Panel PC
- Onboard Intel® Atom™ D525 Dual-Core 1.8GHz CPU with ICH8-M Chipset
- Onboard 1GB SDRAM & 1 SODIMM Up to 3GB
- 1 Intel® 82574L Gigabit Ethernet
- 1 COM, 3 USB, 1 Membrane Power Button
- Wide Voltage +12V ~ +28V Input, ErP Power
- Over Current & Surge Protection
- Backlight Controlled by PWM/ BIOS/ API.
- Power-on Timer



Specifications

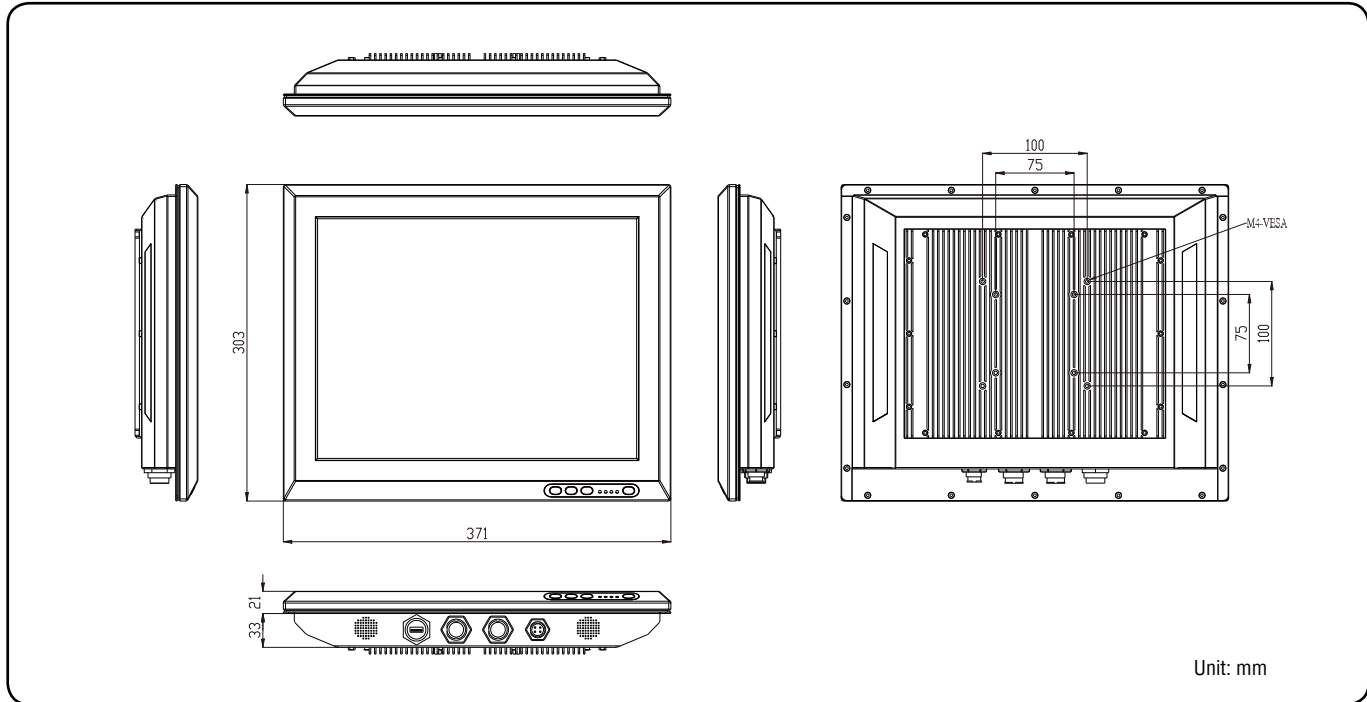
Model Name	SPC-1505
• LCD Size	15", 4:3
• Resolution	1024 x 768
• Pixel Pitch	0.297mm (H) x 0.297mm (V)
• Luminance	250cd/m ²
• Contrast Ratio	500
• Viewing Angle	65 (U), 60 (D), 70 (L), 70 (R)
• Response Time	8ms
• Backlight	CCFL
• Touch Screen	5-wire Resistive
• Light Transmission	80%
• Touch Interface	USB
System	
• CPU	Onboard Intel® Atom™ D525 Dual-Core 1.8GHz CPU
• BIOS	AMI 8Mbit Flash BIOS
• System Chipset	Intel® ICH8-M Chipset
• I/O Chip	Winbond W83627DHG
• System Memory	Onboard 1GB, One 200-pin SODIMM Support Up to 3GB SDRAM
• SSD	One CF Socket Supports Type I/II Compact Flash Card
• Hard Drive Bay	One 2.5" SATA HDD
• WiFi	Optional USB WiFi 802.11b/g/n
• Watchdog Timer	Reset: 1 ~ 255min. and 1sec. or 1min./step
• H/W Status Monitor	Monitoring System Temperature, Voltage, with Auto Throttling Control
• Expansion	2 x Mini PCIe
Rear Panel I/O	
• Serial Port	1 x RS-232 (Water Proof, IP-67 Rating)
• Ethernet	1 x RJ-45 (Water Proof, IP-67 Rating) (Intel® 82574L Gigabit Ethernet, Optional Dual 82574L Gigabit Ethernet)
• USB	3 x USB 2.0 (Water Proof, IP-67 Rating)
• Power Switch	1 x Membrane Power Button
• Power Input	1 x DC-in (Water Proof, IP-67 Rating)



SPC-1505

Full IP-65 Stainless Steel Chassis
Fanless Touch Panel PC

Diagram



Environment & Mechanical

• Color	Front & Rear Panel Silver
• Mounting	VESA/ Wall/ Stand 75mm x 75mm & 100mm x 100mm
• Power Input	100 ~ 250Vdc/ 47 ~ 63Hz
• Power Output	+12Vdc/ 5A (60W)
• Power Type	AT/ ATX
• Operating Temperature	0 ~ 40°C (32 ~ 104°F)
• Storage Temperature	-20 ~ 75°C (-4 ~ 167°F)
• Relative Humidity	5% ~ 90% Relative Humidity, Non-condensing
• Dimension (W x D x H)	370mm x 295mm x 60mm
• Weight	6.42Kgs

1
LPC
Series

2
PPC
Series

3
FPC
Series

4
MPC
Series

5
SPC
Series

6
MTP
Series

7
OPC/
LCD Kit

8
RISC

9
ACC

Ordering Information

- **SPC-1505**
15" XGA TFT Touch Panel PC with Intel® Atom™ D525 Dual-Core 1.8GHz CPU
- **ACC-LPC-WIFIUSB-2R**
USB WiFi 802.11 b/g module w/ Antenna, Cable
- **ACC-ARM-D2R**
VESA STAND, 75 & 100mm
- **ACC-ARM-D8R**
Wall Mount Bracket VESA 75 & 100mm
- **ACC-ARM-D23R**
L Type Stylish Table Stand VESA 75 & 100mm
- **ACC-CF-XX**
CompactFlash Card Series (xx=Capacity, Capacity Option: 128, 256, 512MB, 1, 2, 4, 8GB)