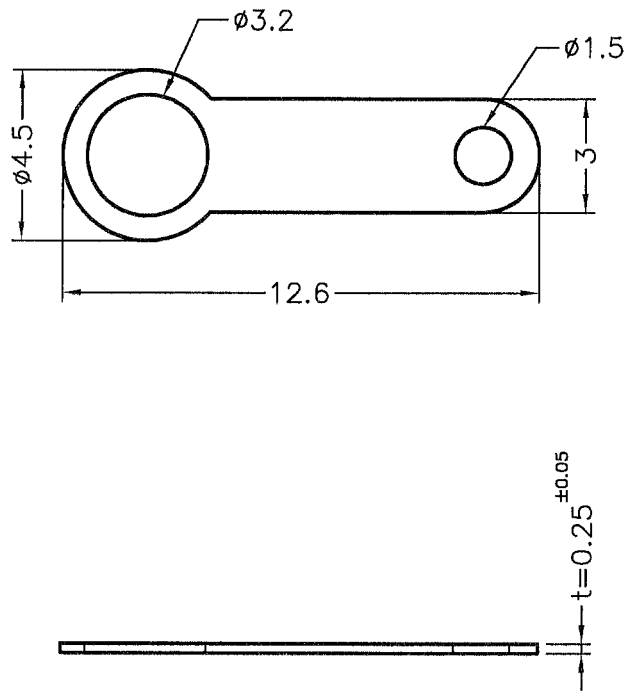


REVISIONS			
REV	DESCRIPTION	DATE	BY



符合歐盟ROHS規範 (RoHS Compliant)	
★鉛Pb	<1000PPM
★鎘Cd	< 100PPM
★汞Hg	<1000PPM
★六價鉻Cr6+	<1000PPM
★多溴聯苯類PBBs	<1000PPM
★多溴聯苯醚類PBDEs	<1000PPM



				TITLE	GROUND TERMINAL	SPEC. DWG.			
				MATERIAL	BRASS	DATE	2008.08.06		
				FINISH	NICKLE PLATED	DRAWN	SAI		
				COLOR		CHECK			
PART NUMBER	GND-41		DRAWING NUMBER	GND-41		UNLESS OTHERWISE SPECIFIED TOLERANCE	±0.2	APPROVED	
SIZE	A4	SCALE	5:1	UNIT	mm	REV	A		