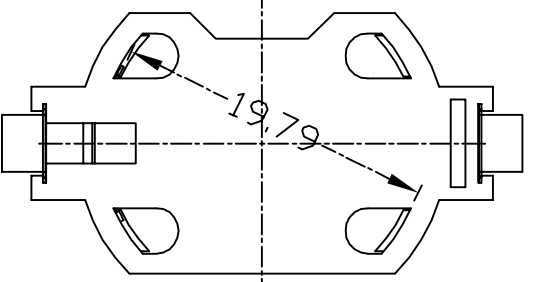
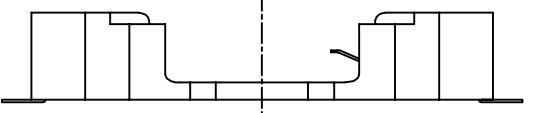
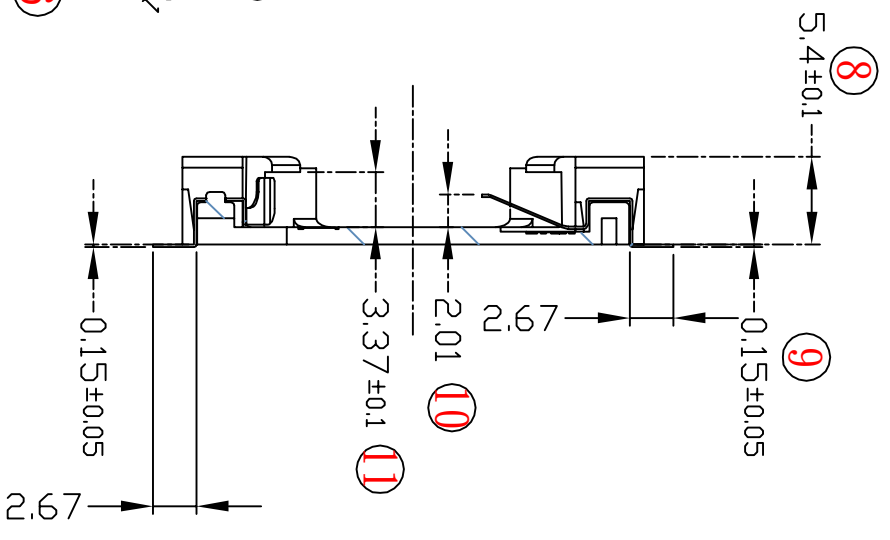
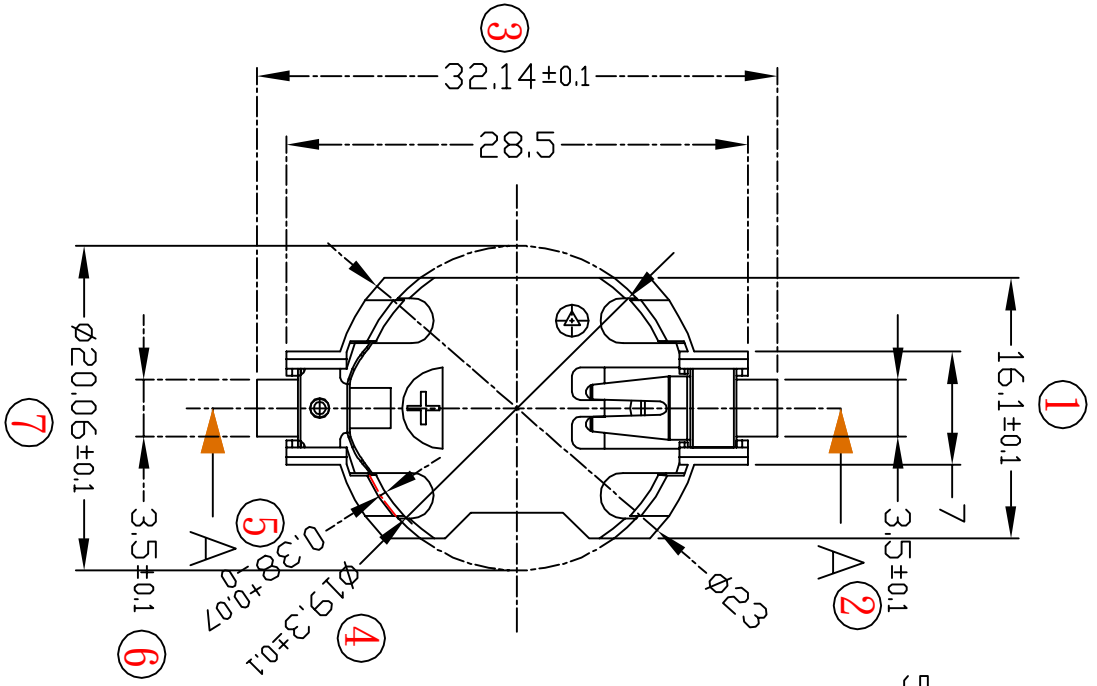


Y	5	檢驗
S		
K		
F		
W		
Z		



SECTION A—A

REV	A	New drawing	變更說明 MODIFICATION	簽名 SIGN	日期 DATE	視角 PROJ	一般公差 GENERAL TOL	角度公差 ANG TOL	產品名稱 PRODUCT NAME	模號 MOLD NO.	圖號 DWG NO.	繪圖 DRAWN	設計 DESIGN	核准 APPROVAL	單位 UNIT	比例 SCALE	材料 MATERIAL	表面處理 FINISHING	數量 QTY	張數 SHEET	CAV
				Huang	2014.03.07	ANG 0°	X±0.30 K±0.10 XX±0.01 XXX±0.005	±0.00°	BATTERY HOLDER FOR CR2032 (SMT type)	BH2-2032-01	BH2-2032-01		hang 2014.03.07	jiangch 14.03.07	YCH 14.03.10	mm		LCP			

IDITECH CORPORATION

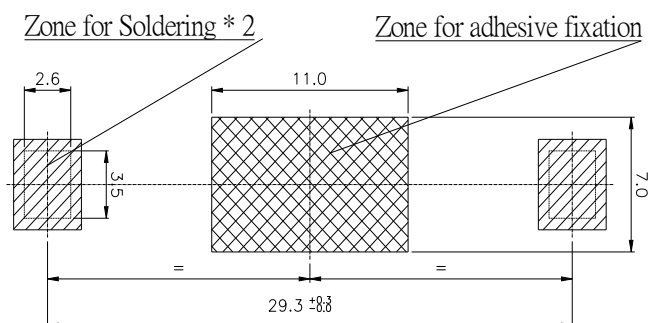
TITLE Battery Holder	P/N. BH2-2032-01	PAGE : 1 OF 1 DATE : 2014.07.08
--------------------------------	----------------------------	--------------------------------------------------

SPECIFICATION

1. Material description

Item	Part Name	Q'ty	Material	Plating	Remarks
1	Housing	1	Liquid Crystal Polymer	LCP	UL94V-0
2	Positive Contact	1	Stainless Steel 301 (0.15t)	Pre-plating before press: Tin 40u" Min. over Ni 15u" Min.	
3	Negative Contact	1	Stainless Steel 301 (0.15t)	Pre-plating before press: Tin 40u" Min. over Ni 15u" Min.	

2. Recommend PCB Layout:



3.RATING : DC 3V , 120mA

4.INTER - CONTACT RESISTANCE : 100m OHM MAX. AT BOTH THE POSITIVE AND NEGATIVE, TERMINALS WHEN MEASURED BETWEEN THE TERMINALS OF THE CR2032 AT 1KHz WITH LOW DRAINAGE (100mA MAX.)

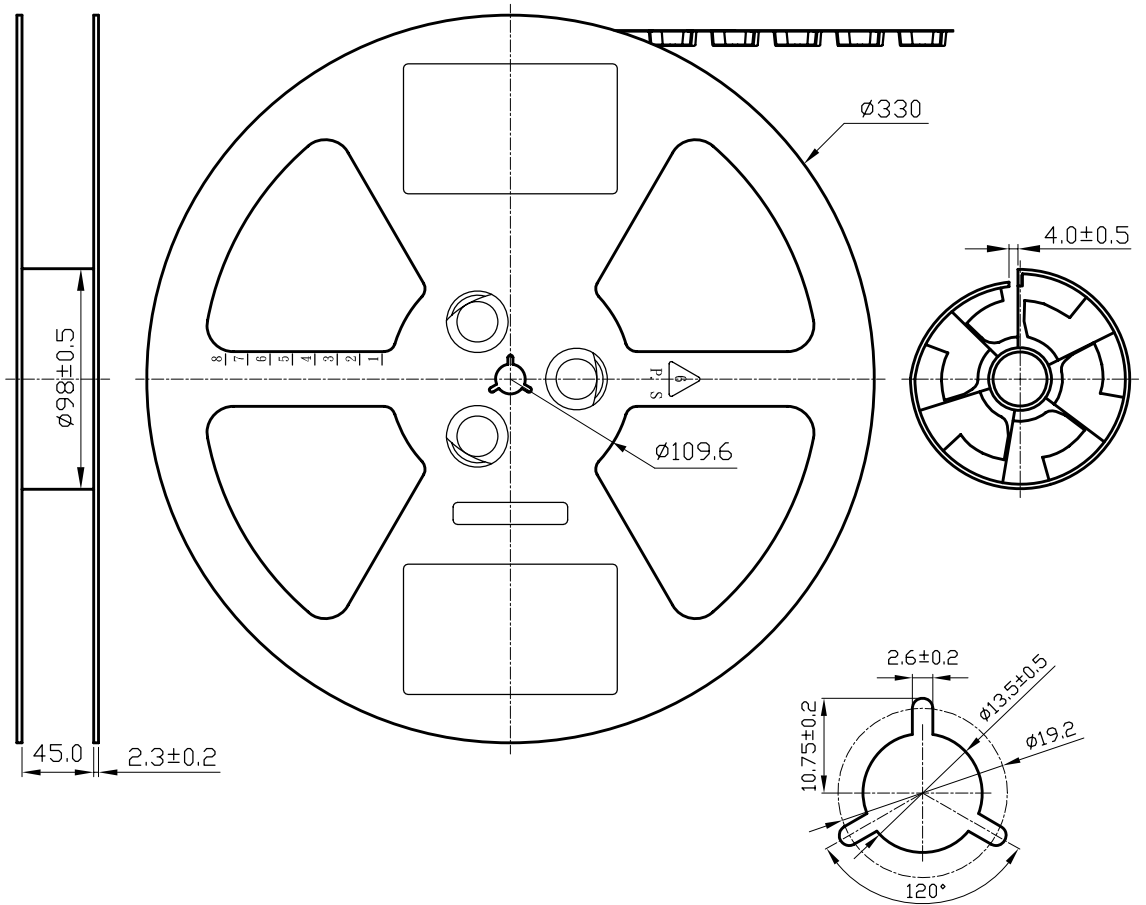
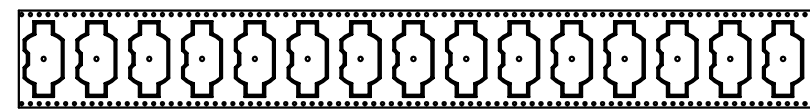
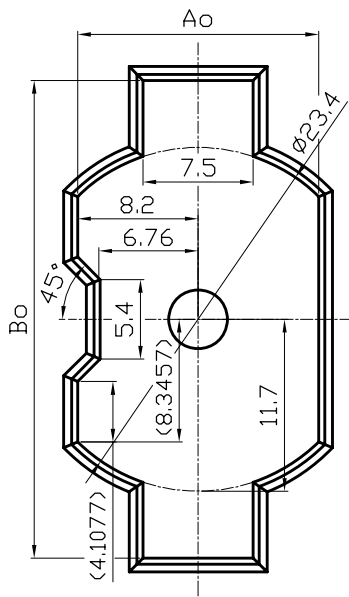
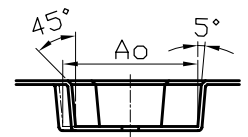
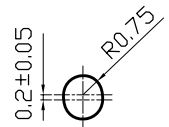
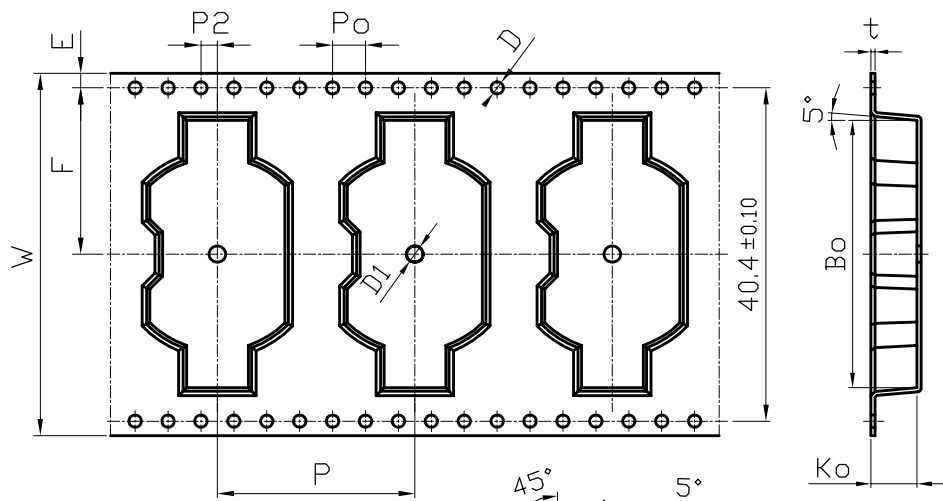
5.INSULATION RESISTANCE : 100M OHM MIN. WITH DC 500V APPLIED BETWEEN THE POSITIVE AND NEGATIVE TERMINALS.

6.VOLTAGE DURABILITY : NO DEGRADATION WITH DC 500V APPLIED FOR ONE MINUTE BETWEEN THE POSITIVE AND NEGATIVE TERMINALS.

7.CONTACT RETENTION FORCE : 1.2KGS MIN. DURING 50 MATING/UN-MATING CYCLES WITH BATTERY 2032 MODULE.

8.SOLDERABILITY: > 95%

ISSUE	DATE	WRTN	CHKD	APVD	DESCRIPTIONS
	2014.03.07	Huang	LungChi	YC.H	
	2014.07.08	Huang	LungChi	YC.H	Plating process change



外觀	規格	公差
W	44.00	±0.30
P	24.00	±0.10
E	1.75	±0.10
F	20.20	±0.15
P2	2.00	±0.15
D	1.50	+0.10 -0.00
D1	2.00	±0.10
Po	4.00	±0.10
10Po	40.00	±0.20
Ao	16.40	±0.10
Bo	32.50	±0.10
Ko	5.60	±0.10
t	0.40	±0.05

**Battery holder 500pcs packed in a tapping reel.

P/N	Part Name	Q'TY	Material	Plating	Remarks
Version	Approval By	Checked By	Drawd By	Units	
A1	YC.H	LungChi	Huany 2014,3,7	mm	
Revision	Projection	Product	Drawing No.	SCALE	
			TAPPING REEL	3/1, 1/2.5, 1/1	
IDITECH CORPORATION					