

## DETAILS

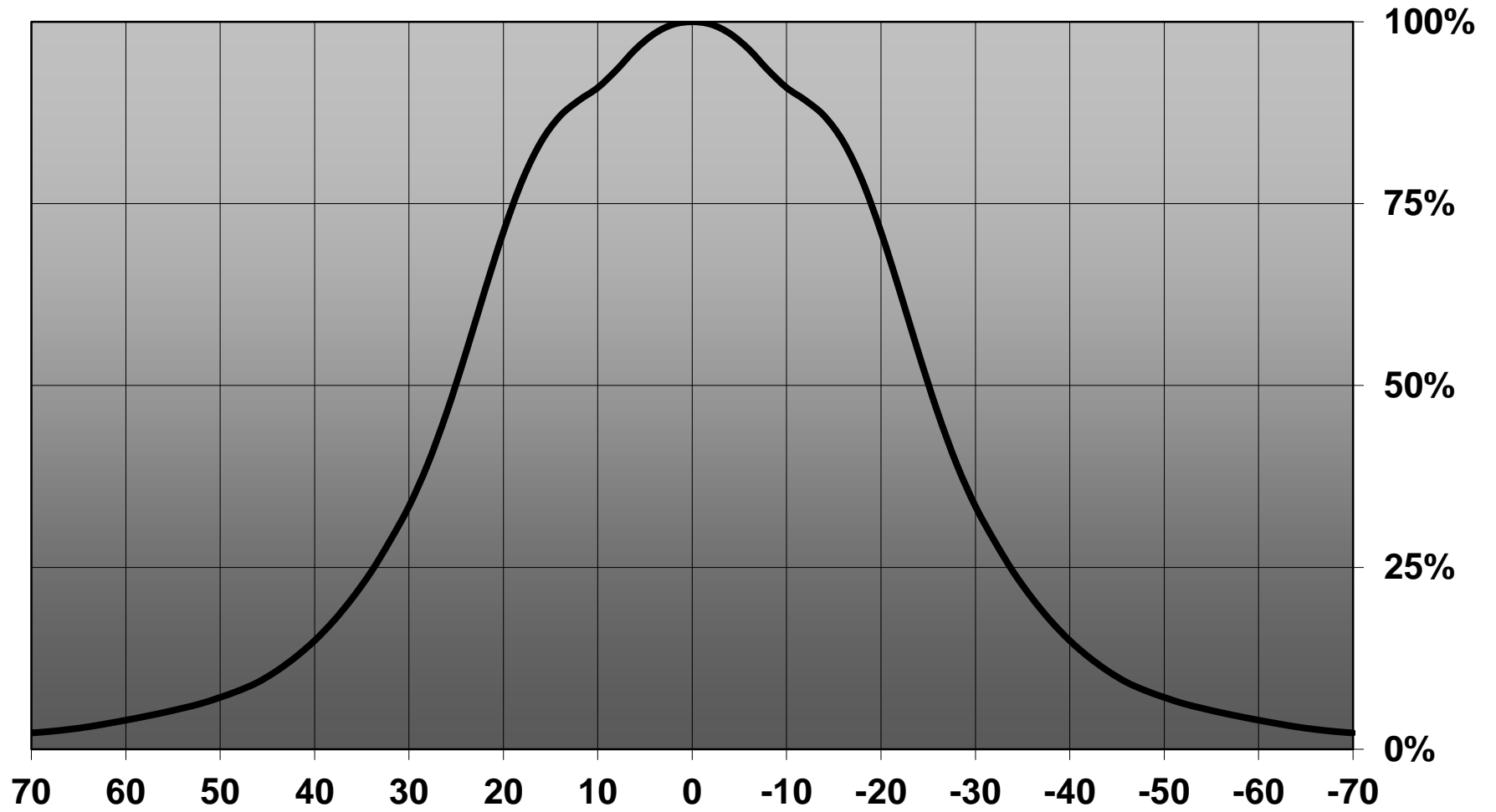
|                        |                  |
|------------------------|------------------|
| <b>Product Number</b>  | C12767_HB-SQ-A   |
| <b>Family</b>          | High Bay         |
| <b>Type</b>            | Lens             |
| <b>Color</b>           | clear            |
| <b>Diameter</b>        | 25 + 25 mm       |
| <b>Height</b>          | 12,9 mm          |
| <b>Style</b>           | square           |
| <b>Optic Material</b>  | PMMA             |
| <b>Holder Material</b> |                  |
| <b>Fastening</b>       | glue, screw, pin |
| <b>Status</b>          | production ready |
| <b>ROHS Compliant</b>  | Yes              |
| <b>Date Updated</b>    | 6/05/2014        |

## OPTICAL PROPERTIES

| LED         | Viewing Angle | Light Beam | Efficiency | cd/lm | Connector |
|-------------|---------------|------------|------------|-------|-----------|
| MK-R        | 54 deg        | HighBay    | 86 %       | 1.000 | -         |
| LUXEON M/MX | 50 deg        | HighBay    | 91 %       | 1.200 | -         |
| LUXEON MZ   | 42 deg        | HighBay    | 87 %       | 1.400 | -         |



Relative intensity of C12767\_HB-SQ-A (Luxeon-M)

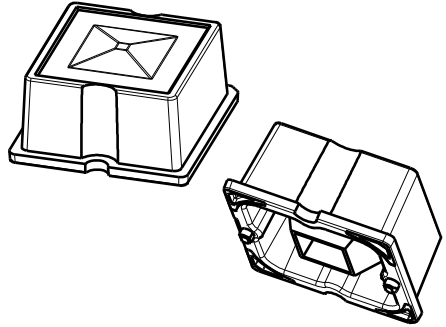


D

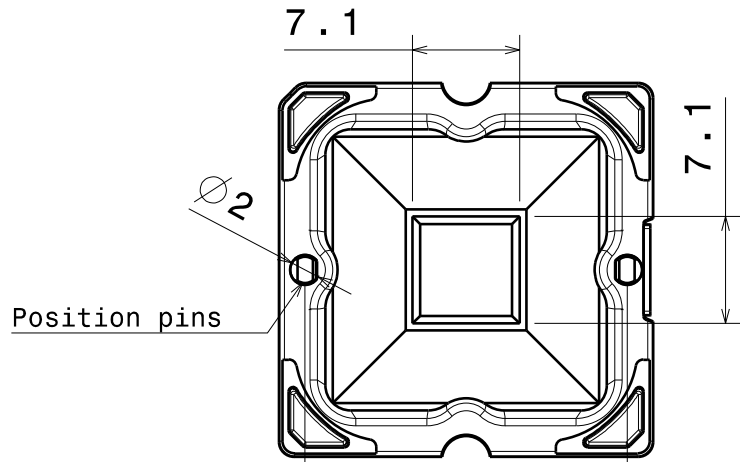
C

B

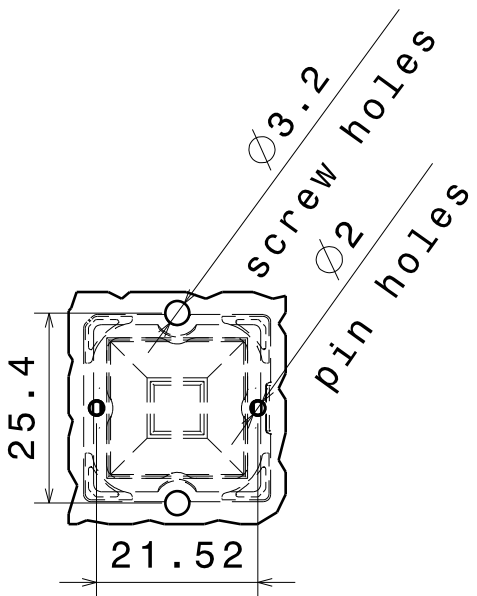
A



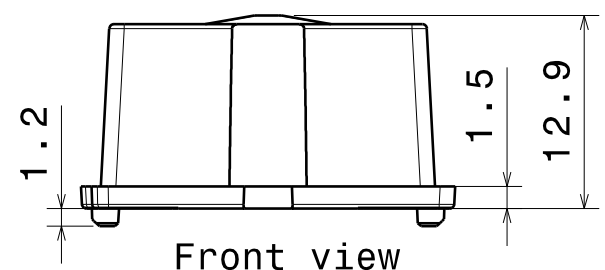
Isometric view



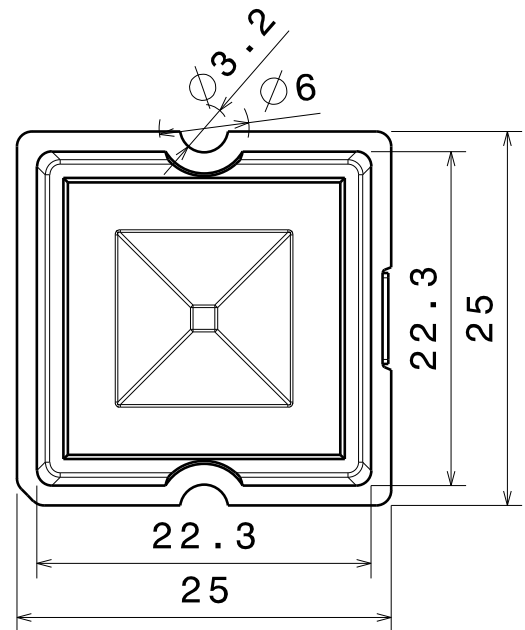
Bottom view



PCB-Suggestion



Front view



Top view

Material: PMMA

Tolerances if not otherwise shown:

According to DIN ISO 2768-1

Linear measures:

Up to 30mm class F, otherwise class M.

According to DIN ISO 2768-2

Form and position:

class K

Control for SPC marked dimensions.

This drawing is our property. It can't be reproduced or communicated without our written agreement.



Ledil Oy  
Salorankatu 10  
FIN 24240 SALO  
Finland

DRAWING TITLE

Datasheet HB-SQ-A lens

|                        |                           |
|------------------------|---------------------------|
| <b>DRAWN BY</b><br>mav | <b>DATE</b><br>27.03.2012 |
|------------------------|---------------------------|

|                         |                           |
|-------------------------|---------------------------|
| <b>CHECKED BY</b><br>pv | <b>DATE</b><br>27.03.2012 |
|-------------------------|---------------------------|

|                           |                           |
|---------------------------|---------------------------|
| <b>DESIGNED BY</b><br>mav | <b>DATE</b><br>27.03.2012 |
|---------------------------|---------------------------|

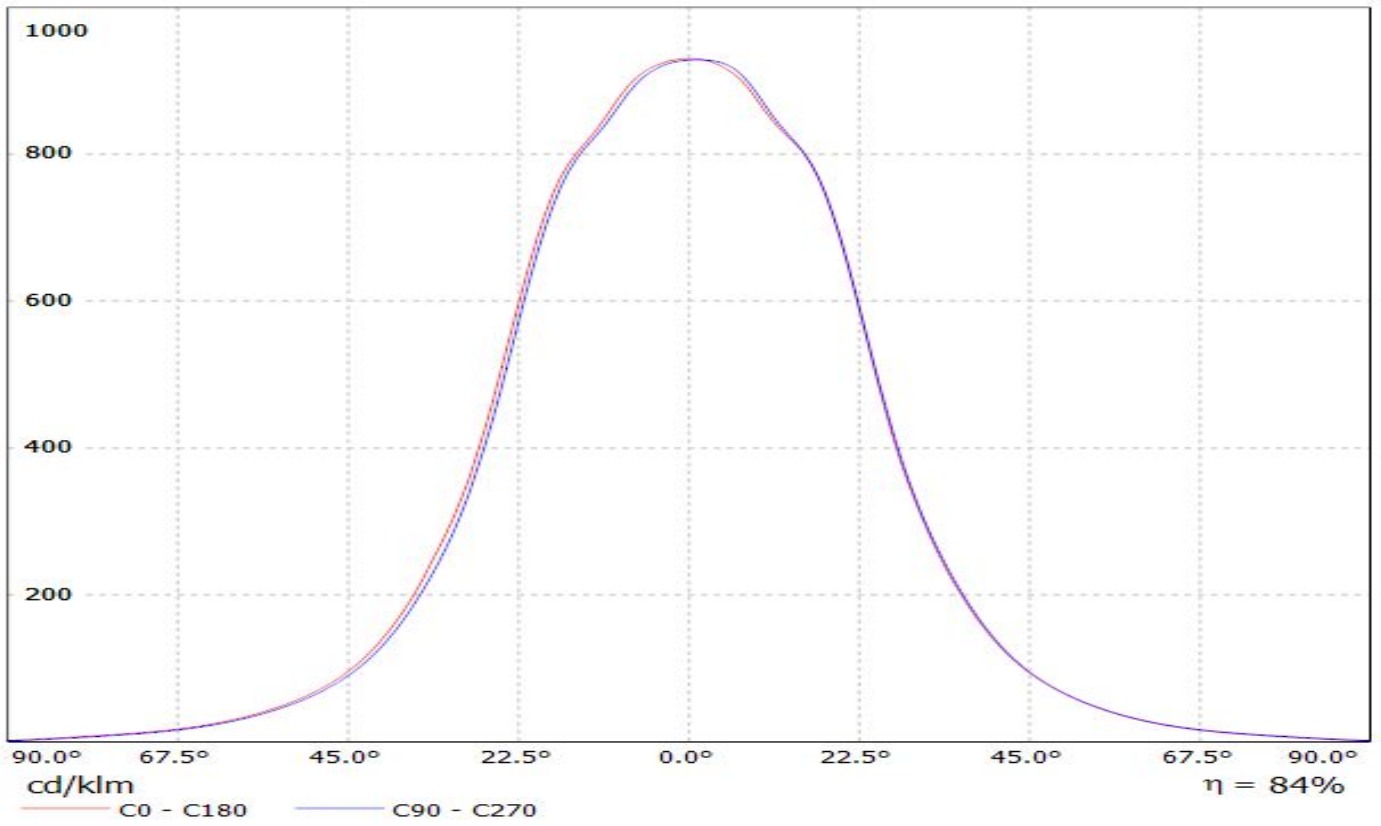
|                     |                                 |                     |
|---------------------|---------------------------------|---------------------|
| <b>SIZE</b><br>A4   | <b>DRAWING NUMBER</b><br>C12767 | <b>REV</b><br>1     |
| <b>SCALE</b><br>1:1 | <b>WEIGHT (g)</b>               | <b>SHEET</b><br>1/1 |

D

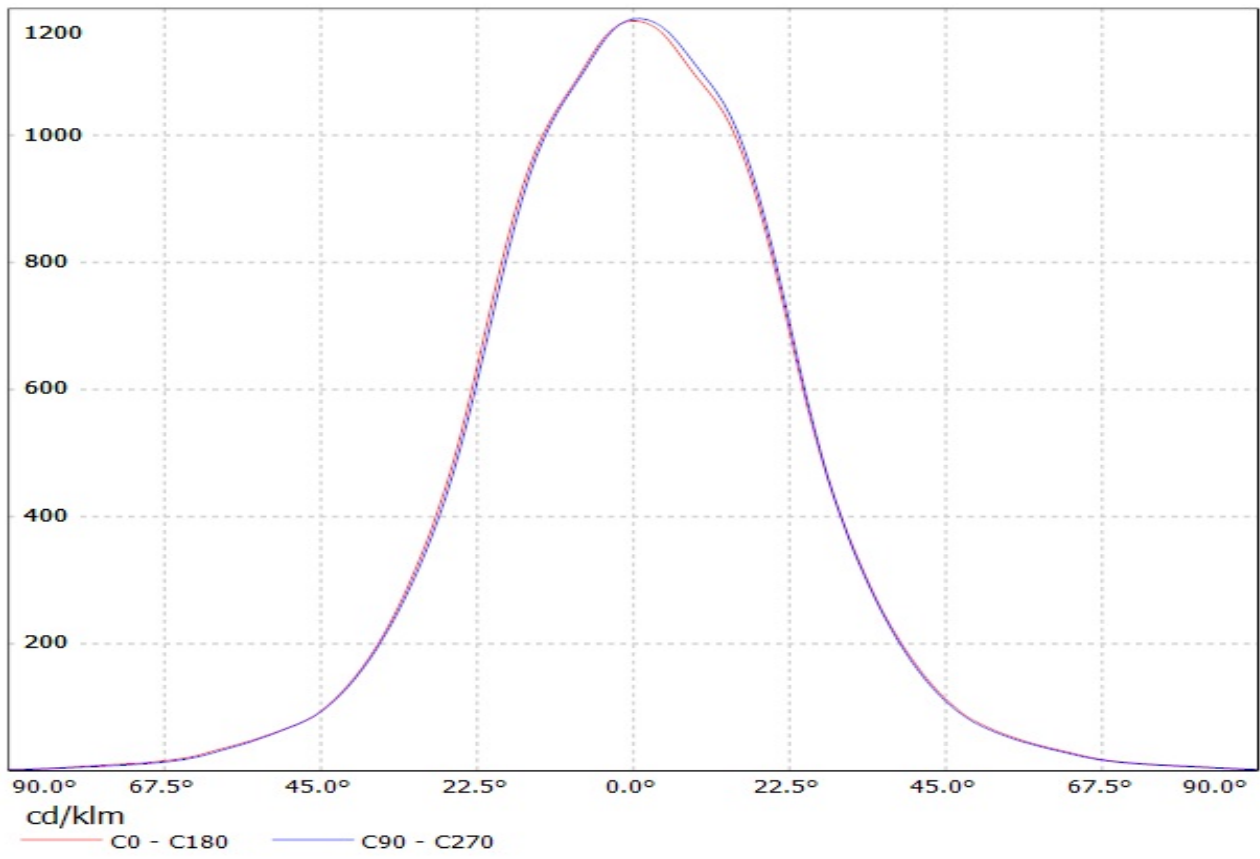
A

# LEDiL Oy C12767\_HB-SQ-A\_(MKR) Eff.84.3% / LDC (Linear)

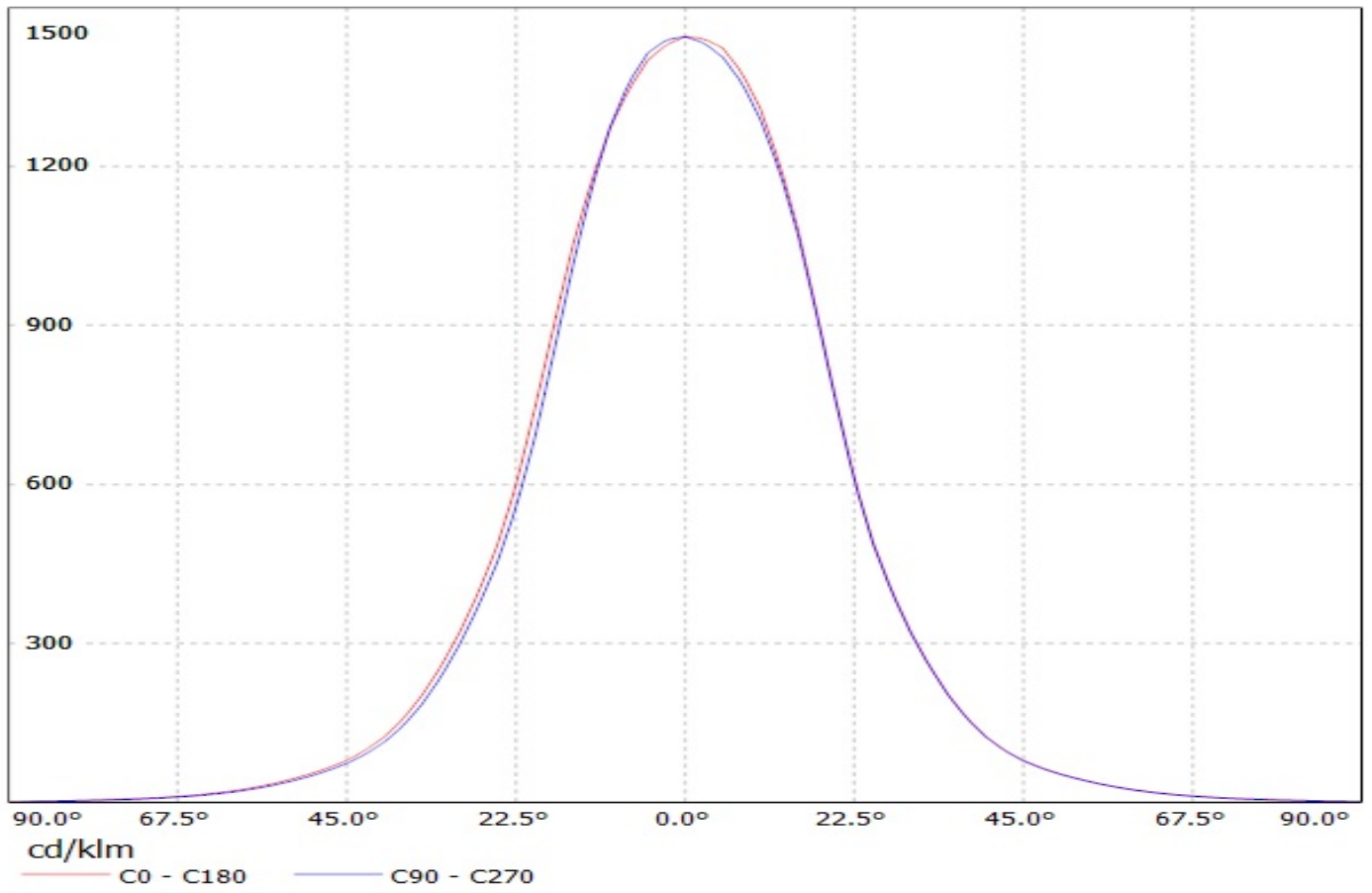
Luminaire: LEDiL Oy C12767\_HB-SQ-A\_(MKR) Eff.84.3%  
Lamps: 1 x Cree MKR (368.505lm@250mA)



Luminaire: LEDIL OY C12767\_HB-SQ-A (Luxeon M) Efficiency=91%  
Lamps: 1 x Luxeon M (360lm @ 250mA)



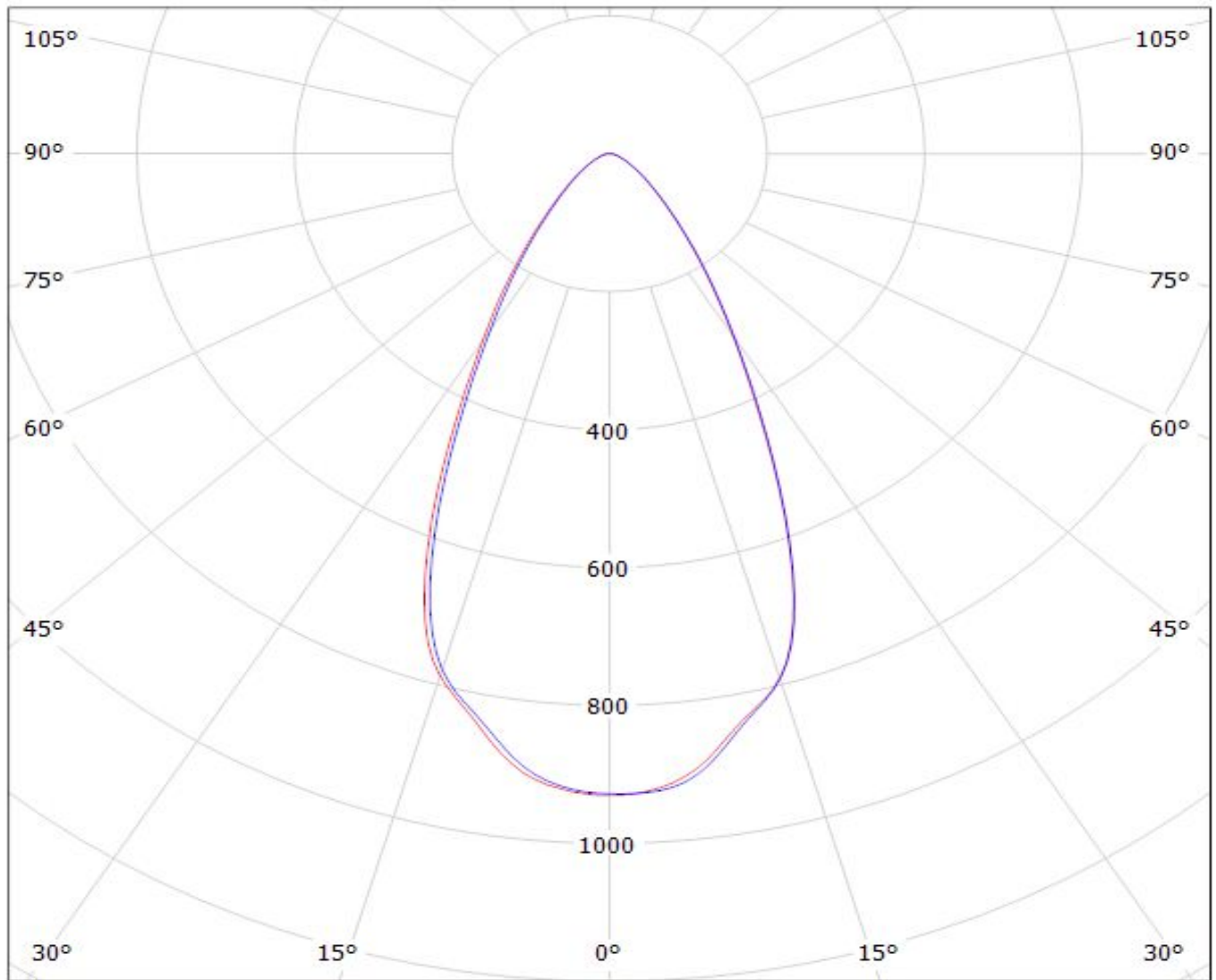
Luminaire: LEDiL Oy C12767\_HB-SQ-A (LUXEON-MZ) Eff.87.5%  
Lamps: 1 x LUXEON-MZ\_263.073lm@250mA\_P=2.7399W\_I=249.9mA



# LEDiL Oy C12767\_HB-SQ-A\_(MKR) Eff.84.3% / LDC (Polar)

Luminaire: LEDiL Oy C12767\_HB-SQ-A\_(MKR) Eff.84.3%

Lamps: 1 x Cree MKR (368.505lm@250mA)



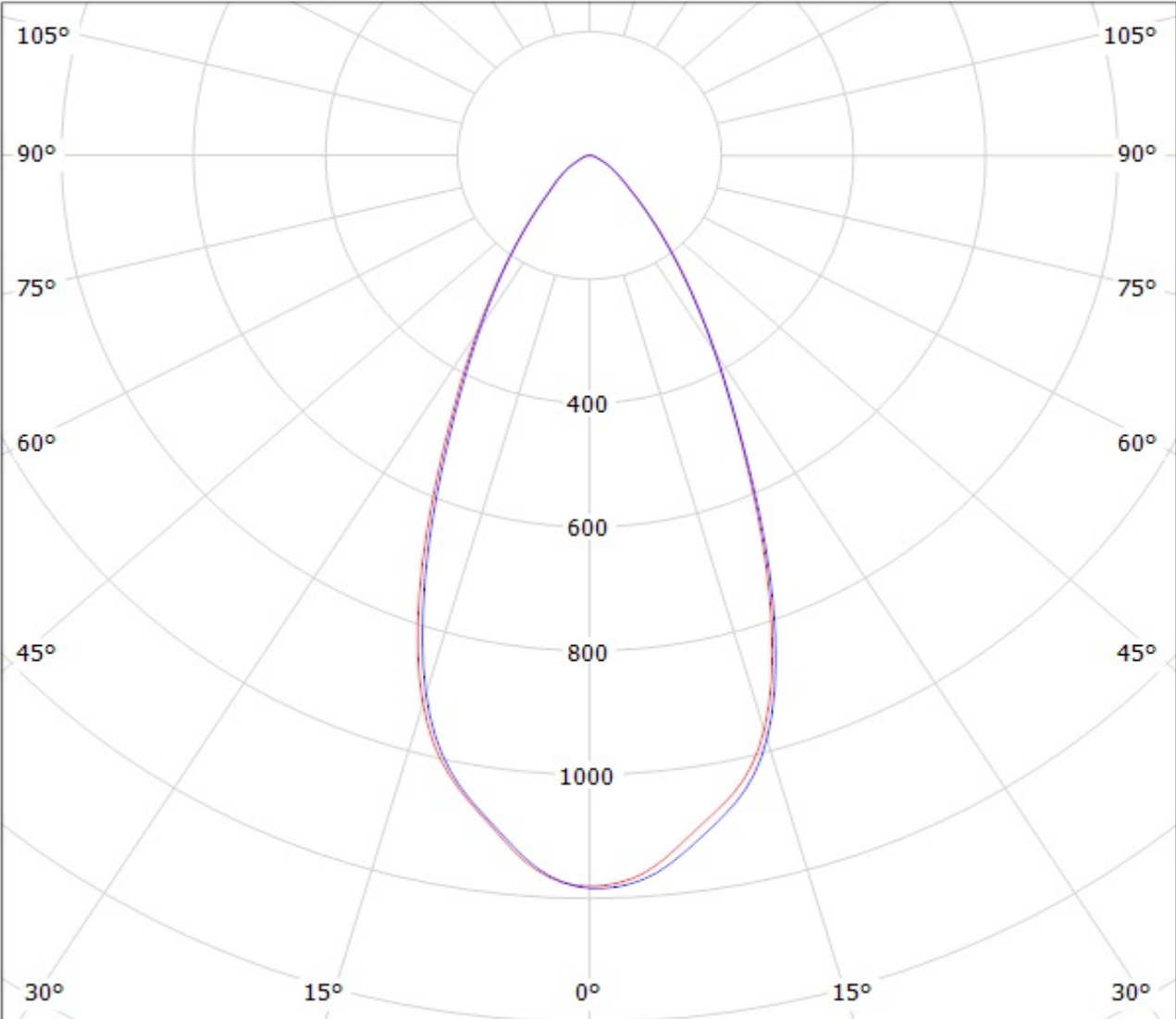
cd/klm

— C0 - C180

— C90 - C270

$\eta = 84\%$

Luminaire: LEDIL OY C12767\_HB-SQ-A (Luxeon M) Efficiency=91%  
Lamps: 1 x Luxeon M (360lm @ 250mA)

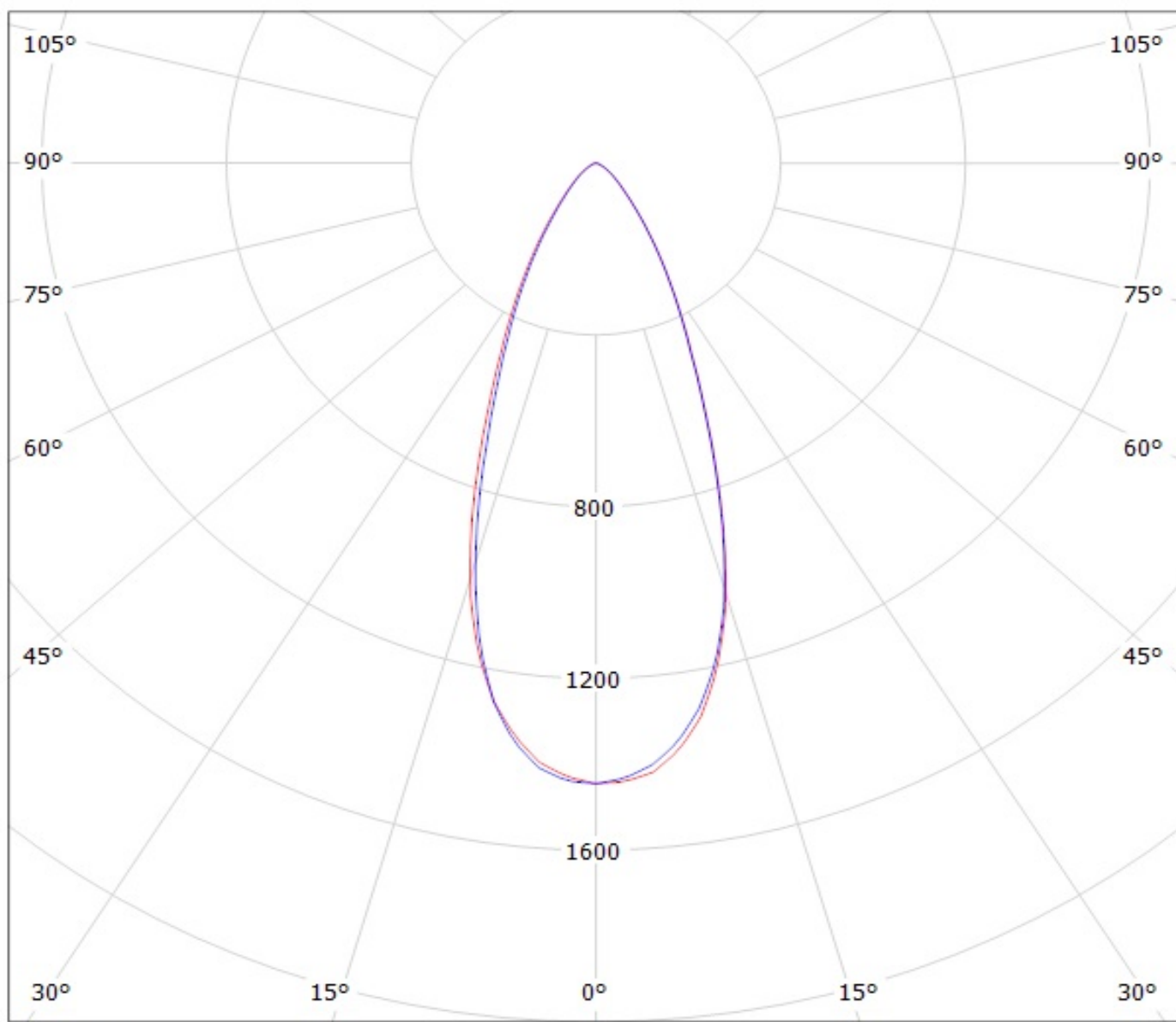


cd/klm

— C0 - C180    — C90 - C270



Luminaire: LEDiL Oy C12767\_HB-SQ-A\_(LUXEON-MZ) Eff.87.5%  
Lamps: 1 x LUXEON-MZ\_263.073lm@250mA\_P=2.7399W\_I=249.9mA



cd/klm

— C0 - C180

— C90 - C270

**NOTE: The typical divergence will be changed by different color, chip size and chip position tolerance. The typical total divergence is the full angle measured where the luminous intensity is half of the peak value.**