

**Product number C11394\_TYRA-S**

Family	Tyra	FWHM	20 degrees
Type	Reflector	Efficiency	-
LED	MP-L	cd/lm	-
Color	Metal	Gerber File	Available
Diameter	40 mm	Used with Tyco holder	
Height	23.1 mm		
Style	Round		
Optic Material	PC		
Holder Material	-		
Fastening	["socket"]		
Status	Production ready		

**Product number C11395\_TYRA-M**

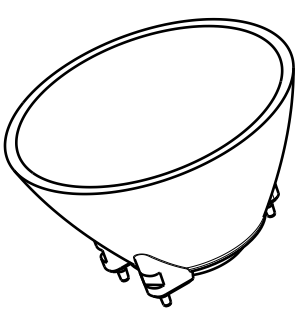
Family	Tyra	FWHM	32 degrees
Type	Reflector	Efficiency	-
LED	MP-L	cd/lm	-
Color	Metal	Gerber File	Available
Diameter	40 mm	Used with Tyco holder	
Height	23.1 mm		
Style	Round		
Optic Material	PC		
Holder Material	-		
Fastening	["socket"]		
Status	Production ready		

**Product number C11396\_TYRA-W**

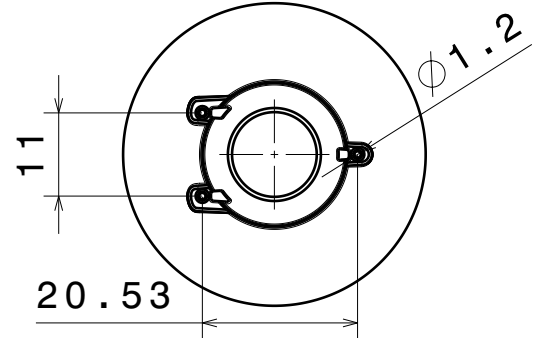
Family	Tyra	FWHM	52 degrees
Type	Reflector	Efficiency	-
LED	MP-L	cd/lm	-
Color	Metal	Gerber File	Available
Diameter	40 mm	Used with Tyco holder	
Height	23.1 mm		
Style	Round		
Optic Material	PC		
Holder Material	-		
Fastening	["socket"]		
Status	Production ready		

**NOTE: The typical divergence will be changed by different color, chip size and chip position tolerance. The typical total divergence is the full angle measured where the luminous intensity is half of the peak value.**

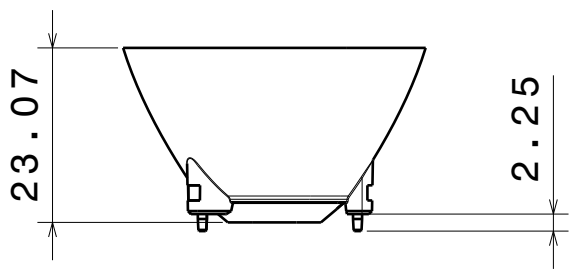
D C B A



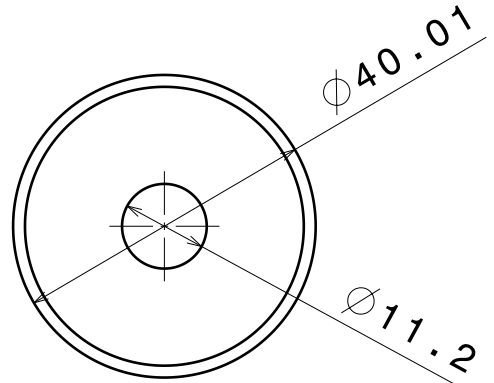
Isometric view  
Scale: 1:1



Bottom view  
Scale: 1:1



Front view  
Scale: 1:1

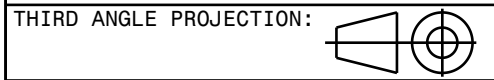


Top view  
Scale: 1:1

INDEX	DESCRIPTION	MATERIAL	COLOUR
1	Tyra series	PC	metal

Tolerances if not otherwise shown  
According to DIN ISO 2768-1  
Linear measures:  
up to 30mm class M, otherwise class C  
According to DIN ISO 2768-2  
Form and position: class L

**LEDiL** LediL Oy  
Salorankatu 10  
FIN 24240 SALO  
Finland



DRAWING TITLE  
**Tyra series datasheet**

This drawing is the property of LEDiL Oy. It may not be reproduced, copied or communicated without a written agreement with LEDiL Oy.

SIZE	PART NUMBER
A4	-

SCALE	1:1	WEIGHT	-	SHEET	1/1
-------	-----	--------	---	-------	-----

4

4

3

3

2

2

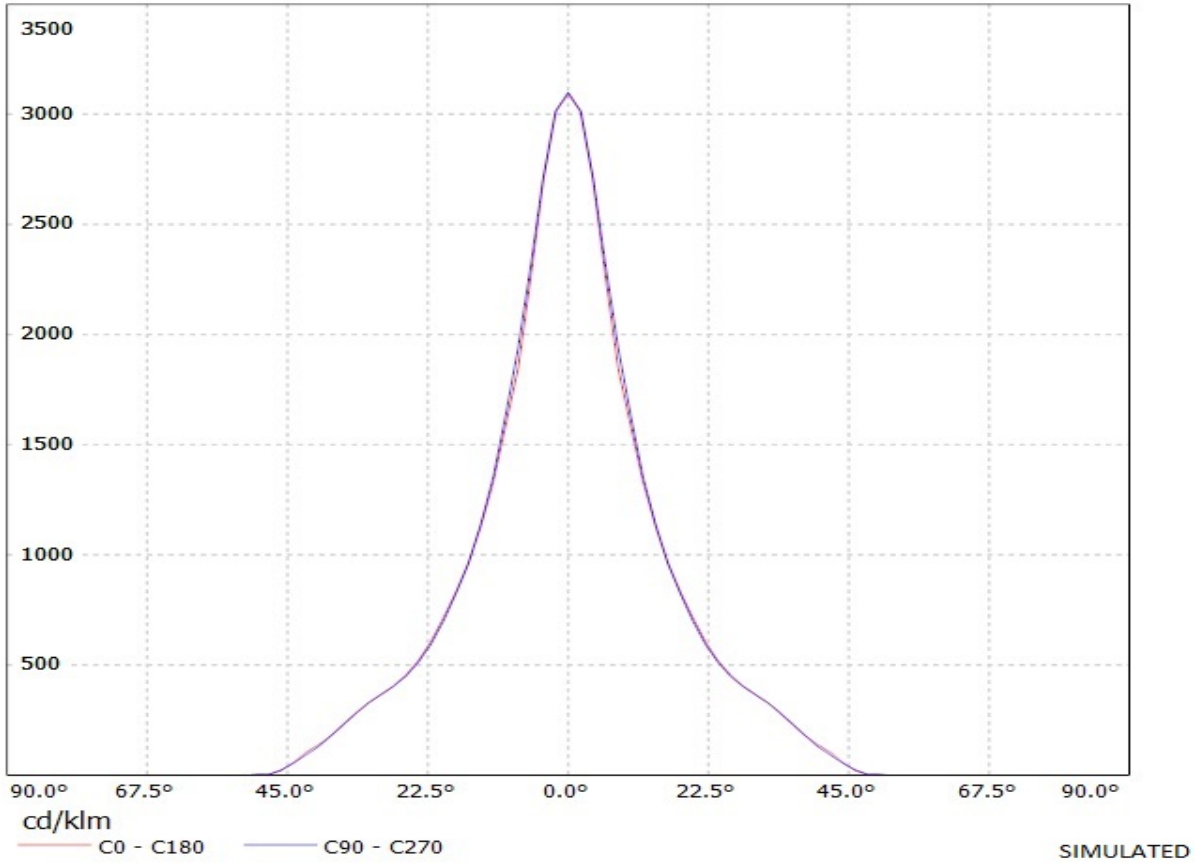
1

1

D A

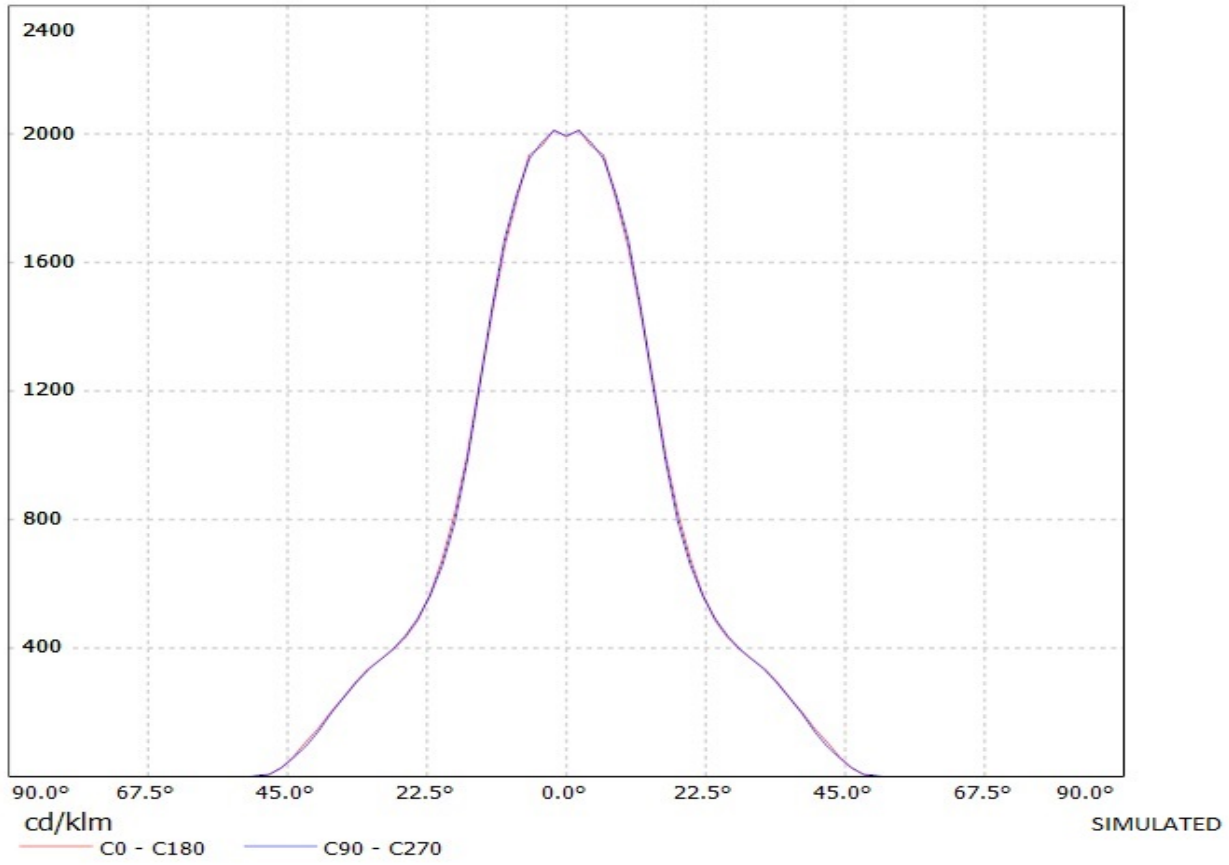
# Ledil Oy C11394\_Tyra-S C11394\_Tyra-S / LDC (Linear)

Luminaire: Ledil Oy C11394\_Tyra-S C11394\_Tyra-S  
Lamps: 1 x Cree MPL (White)



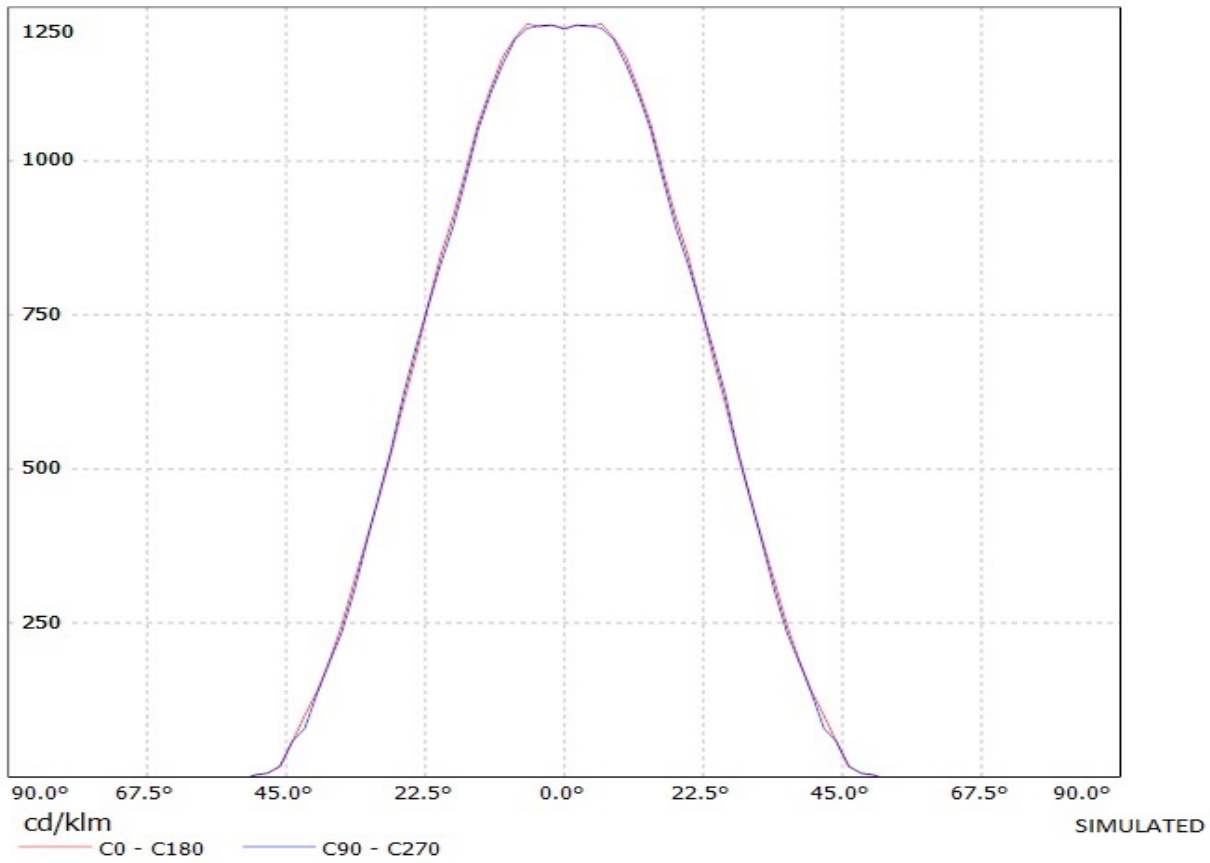
# Ledil Oy C11395\_Tyra-M C11395\_Tyra-M / LDC (Linear)

Luminaire: Ledil Oy C11395\_Tyra-M C11395\_Tyra-M  
Lamps: 1 x Cree MPL (White)



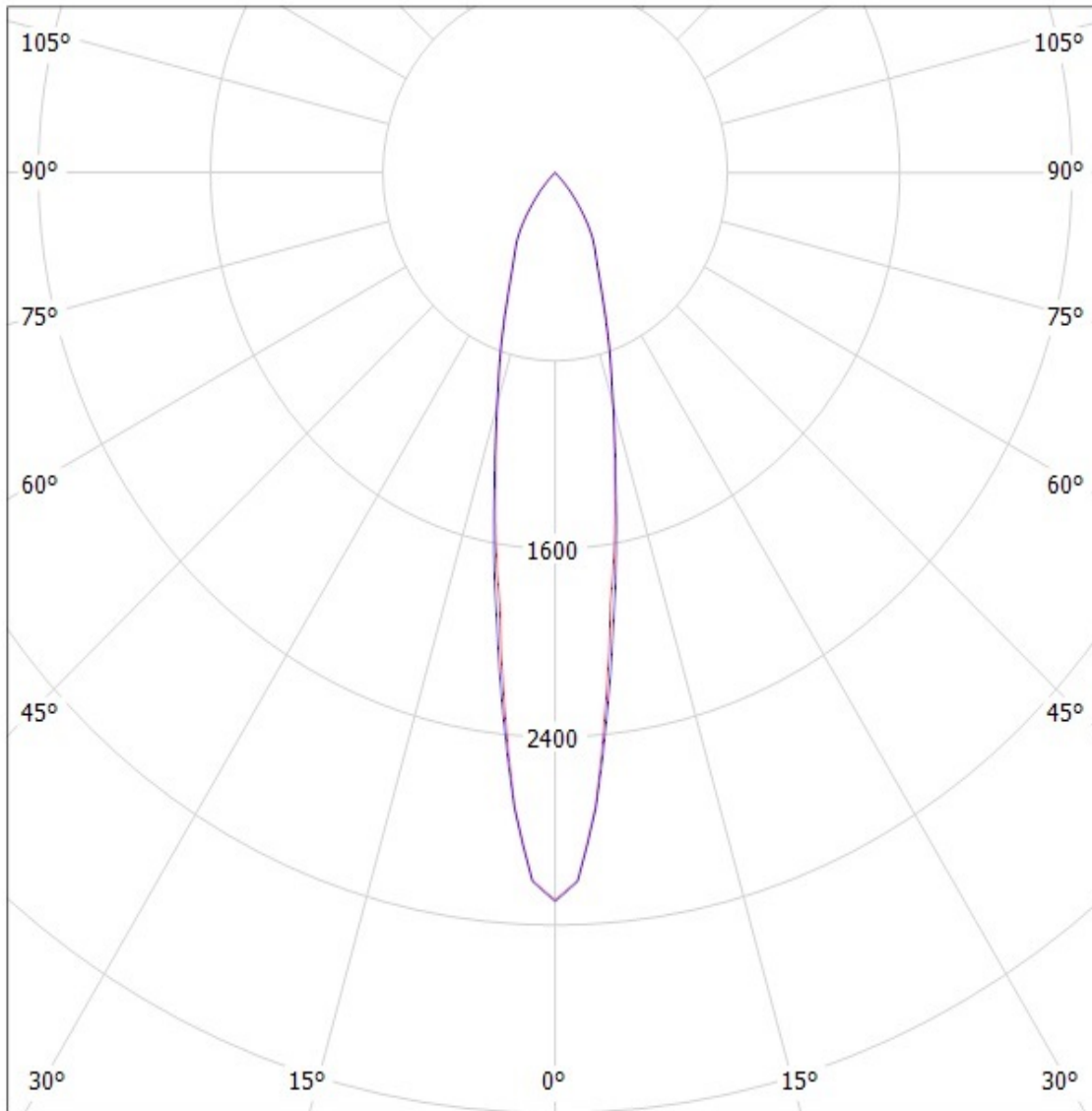
# Ledil Oy C11396\_Tyra-W C11396\_Tyra-W / LDC (Linear)

Luminaire: Ledil Oy C11396\_Tyra-W C11396\_Tyra-W  
Lamps: 1 x Cree MPL (White)



# Ledil Oy C11394\_Tyra-S C11394\_Tyra-S / LDC (Polar)

Luminaire: Ledil Oy C11394\_Tyra-S C11394\_Tyra-S  
Lamps: 1 x Cree MPL (White)



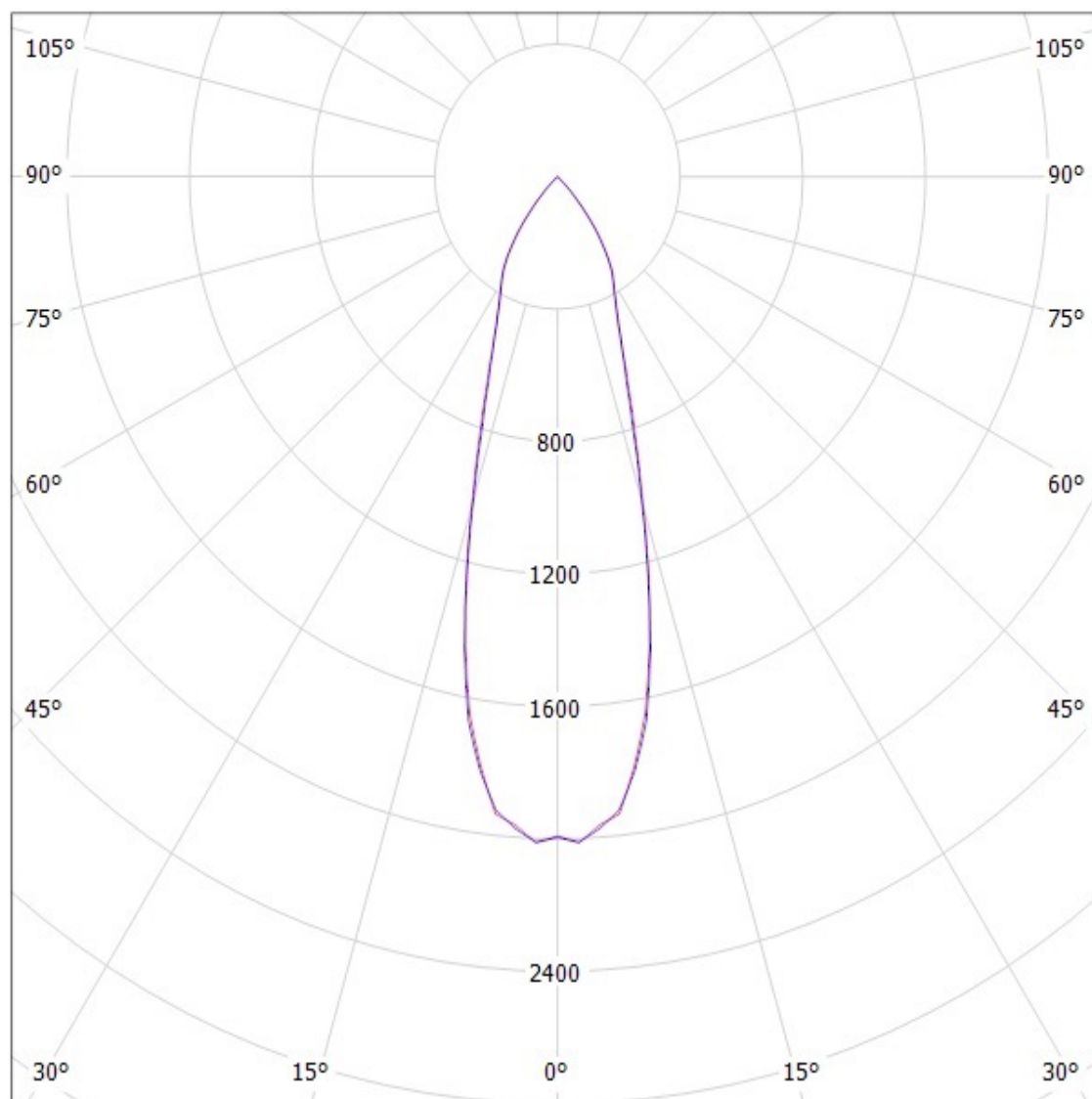
cd/klm

— C0 - C180 — C90 - C270

SIMULATED

# Ledil Oy C11395\_Tyra-M C11395\_Tyra-M / LDC (Polar)

Luminaire: Ledil Oy C11395\_Tyra-M C11395\_Tyra-M  
Lamps: 1 x Cree MPL (White)



cd/klm

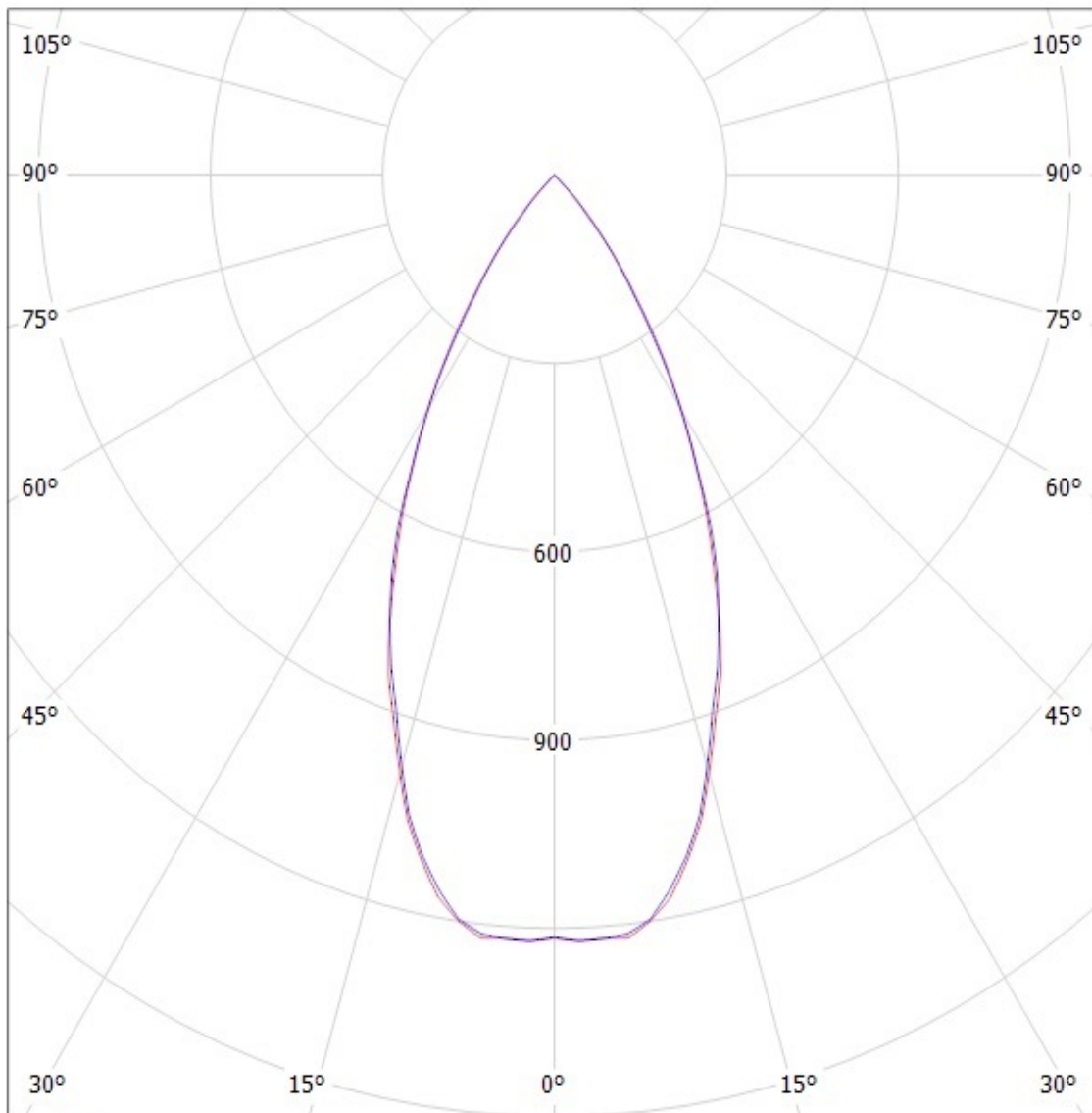
— C0 - C180 — C90 - C270

SIMULATED

# Ledil Oy C11396\_Tyra-W C11396\_Tyra-W / LDC (Polar)

Luminaire: Ledil Oy C11396\_Tyra-W C11396\_Tyra-W

Lamps: 1 x Cree MPL (White)



cd/klm

— C0 - C180

— C90 - C270

SIMULATED