

DATASHEET

Module TYPE	DDR 1GB/512MB/256MB/128MB SODIMM
Module speed	PC-3200
CAS Latency	CL-3
Pin	200pin
SDRAM Operating Temp	0 °C ~ 70 °C

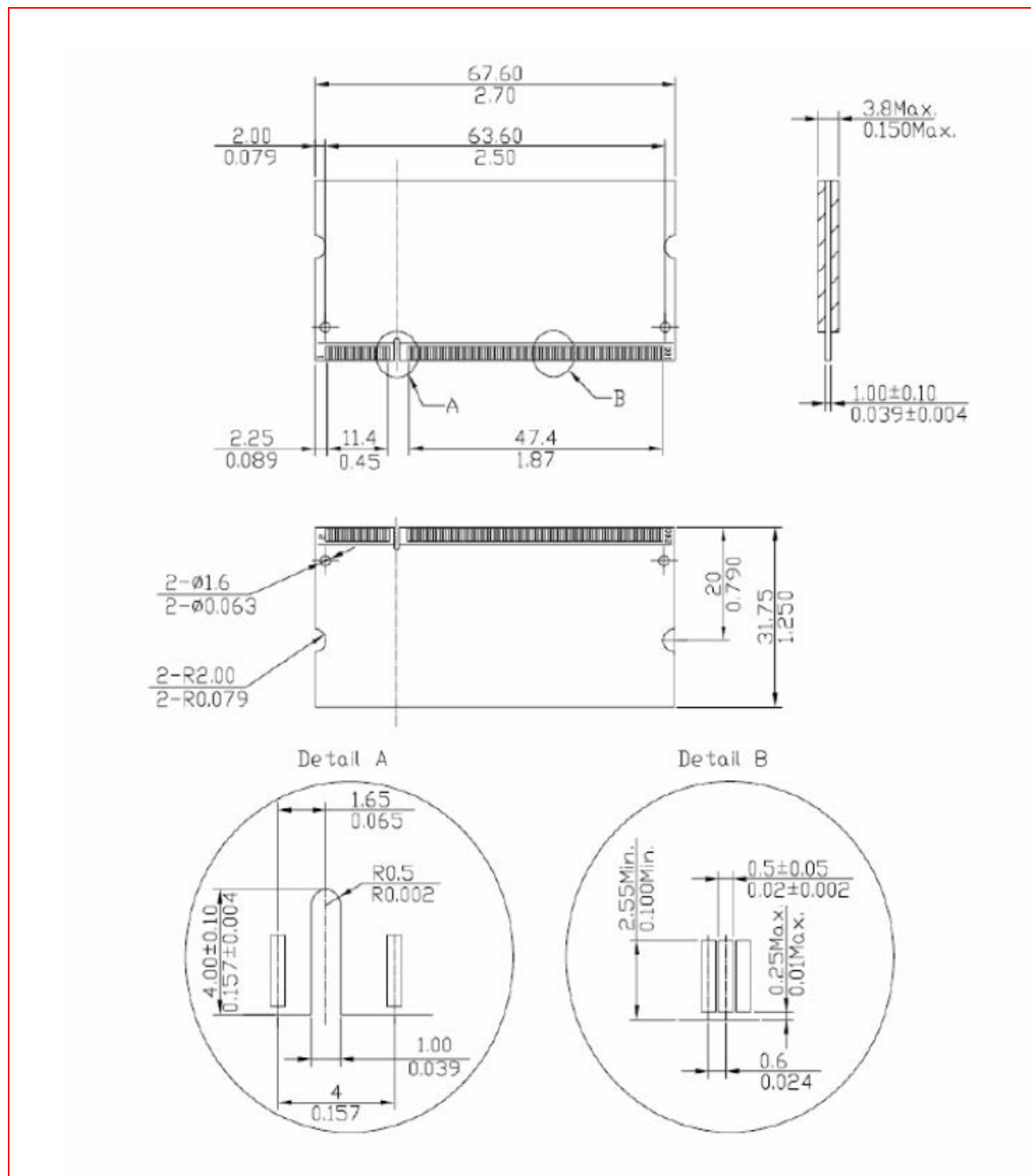
1. Features

Key Parameter

Industry Nomenclature	Speed Grade	Data Rate MT/s			tRCD	tRP	tRC
		CL=2	CL=2.5	CL=3	(ns)	(ns)	(ns)
PC-3200	-	266	333	400	15	15	55

- JEDEC Standard 200-pin Dual In-Line Memory Module
- Intend for 400 MHz applications
- Inputs and Outputs are SSTL-2 compatible
- VDD=VDDQ= 2.6 Volt \pm 0.1 (PC-3200)
- Differential clock input
- DLL aligns DQ and DQS transition with CK transition
- Bi-Directional data strobe with one clock cycle
- Auto Refresh (CBR) and Self Refresh Modes support.
- Serial Presence Detect with EEPROM
- Auto & self refresh 7.8 μ s ($T_A \leq +70^\circ\text{C}$)
- Operation Temperature
- Commercial ($0^\circ\text{C} \leq T_A \leq +70^\circ\text{C}$)
- Programmable Device Operation:
 - Burst Type: Sequential or Interleave
 - Device CAS# Latency: 2,2.5 and 3
 - Burst Length: 2, 4 or 8
- RoHS Compliant (*Section 13*)

2. PACKAGE DIMENSION



Note: Device position is only for reference.