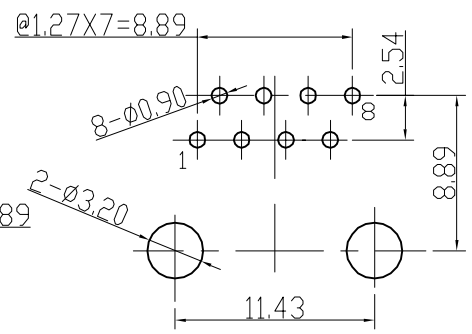
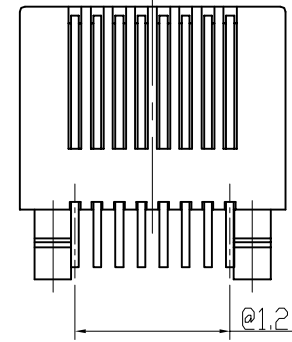
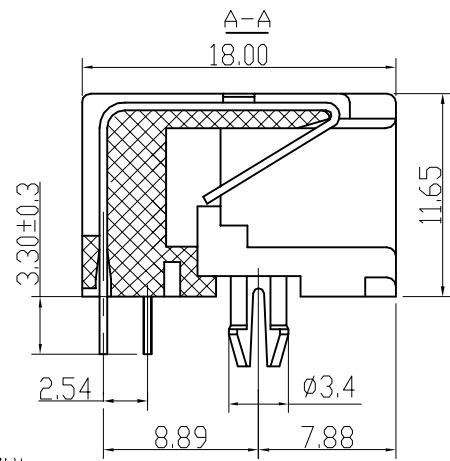
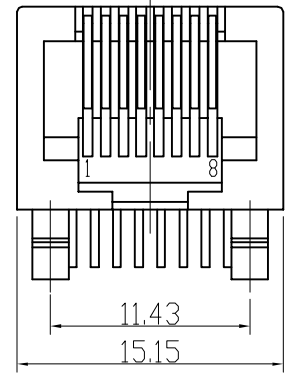


REV.	ECN NO.	DATE
01-02	ADD PART NUMBER	09/04/28



机构特性:

1. 塑壳材质: PBT/PA46/PA66, UL94V-0;
 2. 圆针材质: 磷青铜, $\phi 0.46\text{mm}$;
 3. 圆针电镀: 表面全部镀金(见料号表格), 镍底;
 4. 插入/拔出力: 22N/2.27Kg Max.
 5. 配合强度: 30N Min.
 6. 可靠性: 最少750次插拔
- 环境特性:**
1. 储存温度: $-10^{\circ}\text{C} \sim +40^{\circ}\text{C}$ 相对湿度 $<80\%$.
 2. 工作温度: $-40^{\circ}\text{C} \sim 85^{\circ}\text{C}$

电气特性:

1. 额定电压: 125 VAC RMS
2. 额定电流: 1.5 AMP
3. 接触电阻: 35 m Ω MAX.
4. 绝缘电阻: 1000 M Ω MIN.@500 VDC
5. 耐压强度: 1000 VAC RMS 60Hz, 1分钟

ENVIRONMENTAL:

1. STORAGE : -10°C TO $+40^{\circ}\text{C}$ RELATIVE HUMIDITY $<80\%$.
2. OPERATION : -40°C TO $+85^{\circ}\text{C}$.

MATES WITH MODULAR PLUG CONFORMING TO FCC PART 68, SUBPART F.
ROHS PART NUMBER:

P/N 料号	DESCRIPTION 描述	CONTACT PLATING GOLD 电镀	LOGO 商标	MATERIAL COLOR
B531N-8803-M006	RJ45 5321 8P8C JACK	3u''	NO LOGO	PBT BLACK 黑色
B531N-8806-M006	RJ45 5321 8P8C JACK	6u''	NO LOGO	PBT BLACK 黑色
B531N-88GF-M006	RJ45 5321 8P8C JACK	G/F	NO LOGO	PBT BLACK 黑色
B531N-8803-M007	RJ45 5321 8P8C JACK	3u''	NO LOGO	PBT YELLOW 黄色
B531N-8803-R001	RJ45 5321 8P8C JACK	3u''	NO LOGO	PA46 BLACK 黑色
B531N-8815-M006	RJ45 5321 8P8C JACK	15u''	NO LOGO	PBT BLACK 黑色
B531N-88GF-M007	RJ45 5321 8P8C JACK	G/F	NO LOGO	PBT YELLOW 黄色
B531N-8830-M006	RJ45 5321 8P8C JACK	30u''	NO LOGO	PBT BLACK 黑色
B531N-8806-U001	RJ45 5321 8P8C JACK	6u''	NO LOGO	PA66 BLACK 黑色
B531N-8802-M003	RJ45 5321 8P8C JACK	Fu''	NO LOGO	PBT YELLOW 114C 黄色
B531N-8803-M010	RJ45 5321 8P8C JACK	3u''	NO LOGO	PBT WHITE D9004 白色
B531N-8850-M006	RJ45 5321 8P8C JACK	50u''	NO LOGO	PBT BLACK 黑色

NOTES:

ELECTRICAL:

1. VOLTAGE RATING : 125 VAC RMS.
2. CURRENT RATING : 1.5 AMP.
3. CONTACT RESISTANCE : 35 MILLIOHMS MAX.
4. INSULATION RESISTANCE : 1000 MEGOHMS MIN @ 500 VDC
5. DIELECTRIC STRENGTH : 1000 VAC RMS 60Hz, 1MIN.

MECHANICAL:

1. HOUSING MATERIAL : PBT/PA46/PA66 UL94V-0.
2. CONTACT MATERIAL : PHOSPHOR BRONZE $\phi 0.46\text{mm}$.
3. PLATING : GOLD PLATING OVER NICKEL.
4. MATING/UMATING FORCE : 22N/2.27KG Max.
5. RETENTION STRENGTH : 30N MIN.
6. OPERATING LIFE : 750 CYCLES MIN.

RoHS Compliant

CZT® 意华通讯接插件有限公司
YIHUA COMMUNICATED CONNECTOR CO.,LTD.

TOLERANCES
.0 ± 0.25
.00 ± 0.20
.000 ± 0.10
ANGLES ± 0.5

MATERIAL:	SEE_NOTE	DESIGNED:	陈智艳 09/04/28	NAME:	RJ45 5321 8P JACK
FINISH:	SEE_NOTE	CHECKED:		DWG NO:	E53QWY-1056-24
	SHEET 1 OF 1	APPROVED:		PART NO:	SEE_NOTE
				REV	02

THIRD ANGLE PROJECTION	SCALE	UNIT	CUSTOMER:	MODEL NO:
A4 SIZE	1:1	mm	N/A	N/A