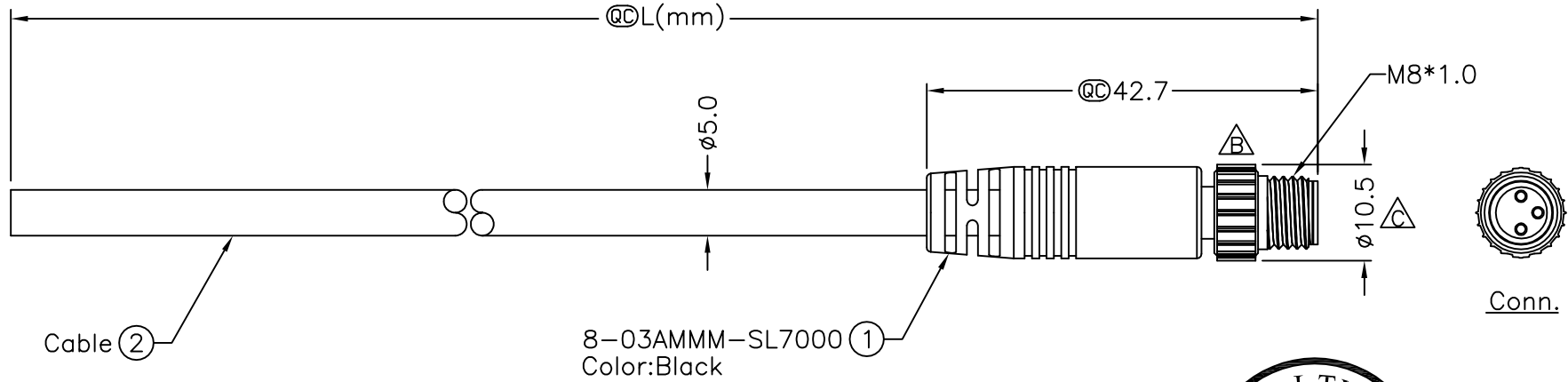


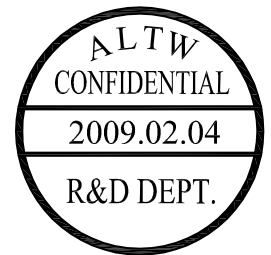
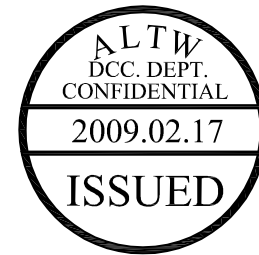
REV.	ECN NO.	DATE	SIGN	DESCRIPTION
B	LEN-710111~114	2007/01/12	Cloud	Change Nut BAB0296NI00 To BEA00010017.
C	LEN-920203~206	2009/02/04	Vicky	Update the drawing.



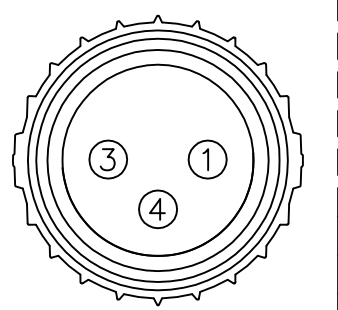
Cable ②

8-03AMMM-SL7000 ①
Color:Black

8-03AMMM-SL7AXX
 XX:01~99Meters
 01:01Meter
 02:02Meters
 :
 :
 99:99Meters
 Cable Length(L):01~99Meters



- Notes:
- * @C Important Dimension.
 - * Waterproof Rate:IP67.
 - * Connector:Black,PU.
 - * Male Pin:Copper Alloy,Gold Plated.
 - * Cable:UL2464 22AWG*3C+Talcum,Black, PVC Jacket,UV Resistant,OD=5.0mm.
 - * Cable Length Tolerance: 01M:±40mm
02M~05M:±60mm
06M~10M:±100mm
11M~30M:±200mm
31M~99M:±500mm



Pin Assignments
Front View

4	Black	黑
3	Blue	藍
1	Brown	棕
Conn.	Wire Color	
	Pin Out	

UNIT:mm		TITLE	M8 Conn
TOLERANCE			Cable Screw 3P M Conn M Pin
±0.5 mm		SCALE	Free
		SHEET	1 OF 1
		REV.	C
		SIZE	A4
		@C	:Inspection Item

Amphenol LTW
安費諾亮泰企業股份有限公司

ITEM NO	DRAWN BY	DATE
	Vicky	2009/02/04
DWG NO	CHECKED BY	DATE
8-03AMMM-SL7AXX	Ivan	2009/02/04
CUSTOMER	APPROVED BY	DATE
ALTW	Luke	2009/02/04

THIS DOCUMENT IS SUBJECT TO CHANGE WITHOUT NOTICE. IT IS CONFIDENTIAL AND A PROPERTY OF Amphenol LTW. DISCLOSURE TO THIRD PARTY HAS TO BE AUTHORIZED BY Amphenol LTW.