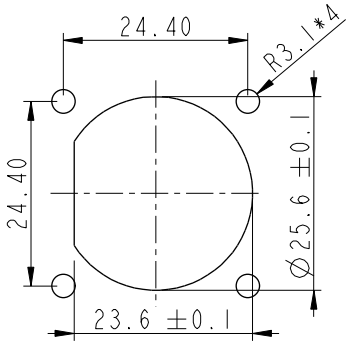
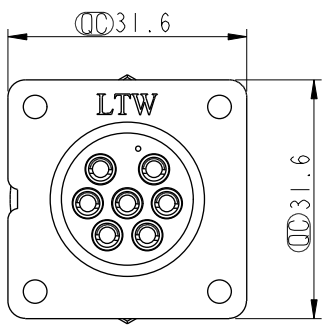
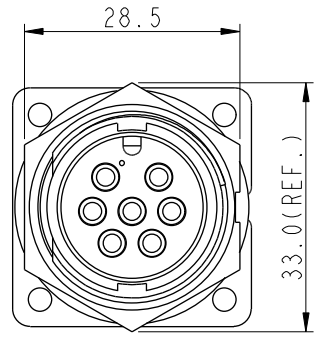
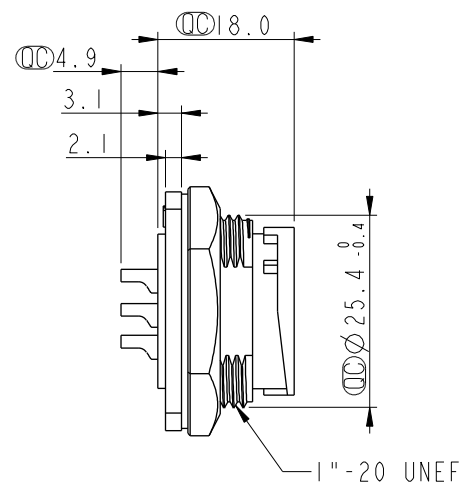


REV.	ECN NO.	DATE	SIGN	DESCRIPTION
B	LEN-8A0200	2008/09/15	Shin	Add Notes

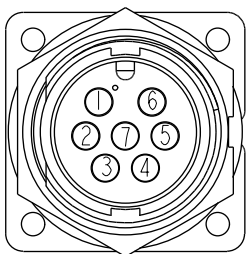
THIS DOCUMENT IS SUBJECT TO CHANGE WITHOUT NOTICE. IT IS CONFIDENTIAL AND A PROPERTY OF AMPHENOL LTW. DISCLOSURE TO THIRD PARTY HAS TO BE AUTHORIZED BY AMPHENOL LTW.

**ALTW**  
CONFIDENTIAL  
2012-05-16  
R&D DEPT.

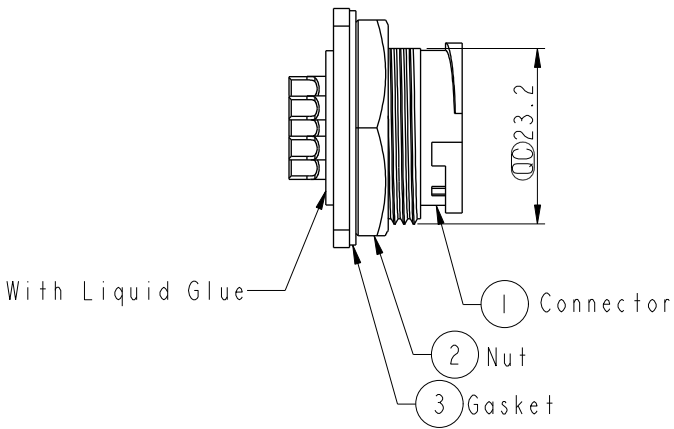
**ALTW**  
DCC. DEPT.  
CONFIDENTIAL  
2012-06-27  
ISSUED



Recommended Panel Cut-Out



Pin Assignments Front View



- NOTE:
- \*  $\varnothing$  Important Dimension.
  - \* Waterproof Rate: IP67
  - \* Housing: Black, Nylon+GF
  - \* Pin: Copper Alloy, Gold Plated
  - \* Gasket: Black, EPDM
  - \* Nut: Black, Nylon+GF
  - $\triangle B$ \* Use Waterproof Cap or Dust Cap  
Panel Thickness Max: 3.0mm
  - $\triangle B$ \* Use without Waterproof Cap or Dust Cap  
Panel Thickness Max: 4.0mm

UNIT: mm		
TOLERANCE	.X ±0.25	
.XX ±0.1		
.XXX ±0.05		
ANGLES	±1°	

TITLE Large Panel Lock 7Pin M Conn M Pin			
SCALE 1:1	SIZE A4	SHEET 1 OF 1	
REV. B	WC-REV. A.2	$\varnothing$ : Inspection item	

**Amphenol LTW**  
安費諾亮泰企業股份有限公司

ITEM NO. DC-07PMMS-LS7001	DRAWN BY SamChang	DATE 2012-05-16
DWG NO. DC-07PMMS-LS7001	CHECKED BY Jeffrey	DATE 2012-06-27
CUSTOMER ALTW	APPROVED BY Lion	DATE 2012-06-27