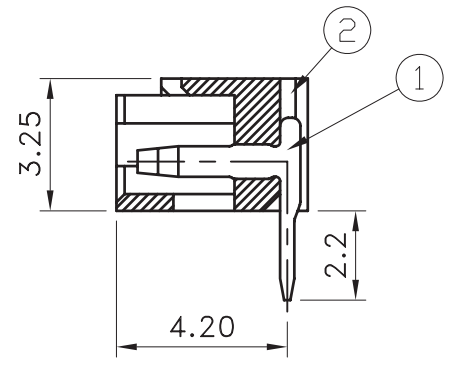
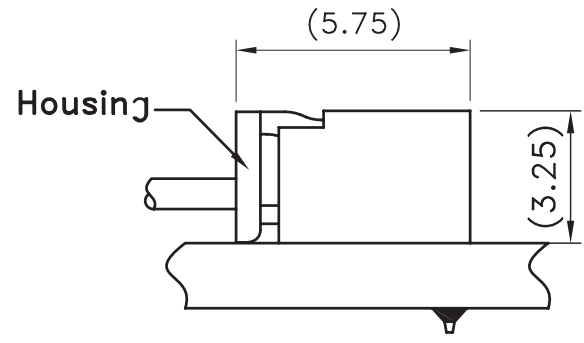
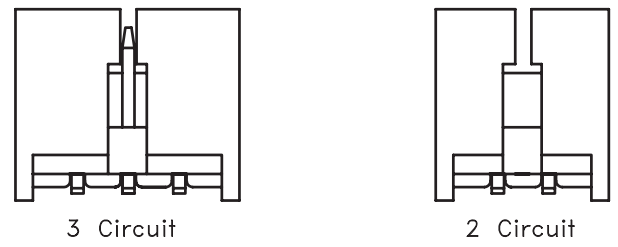
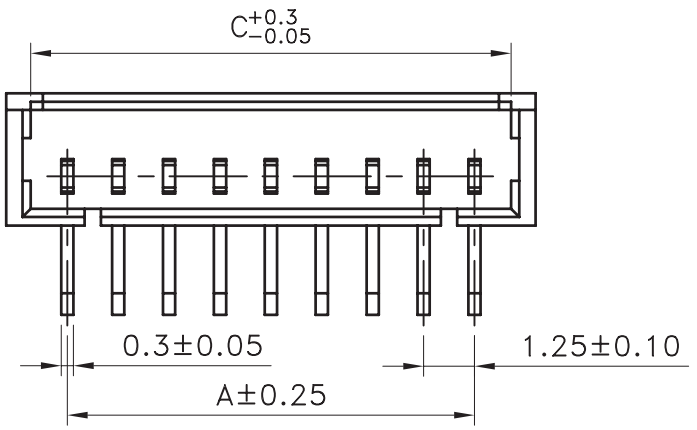
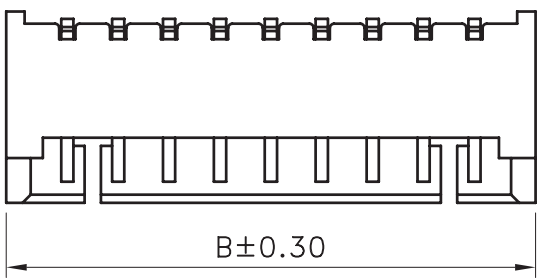


Recommended PCB Layout(Top View)



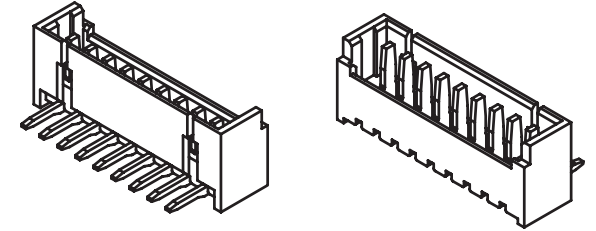
■ SPECIFICATIONS

- Current Rating : 1A AC/DC
- Withstanding Voltage : 250V AC /minute
- Insulation Resistance : 100MΩ min
- Temperature Range : - 40°C to + 85°C
- Contact Resistance : 20mΩ max

■ WAFER

△ Part No. : JS-1147R-XX / X
① ②

- ① Poles : 2-15(DIP Type)
- ② Packing:
Blank: 1000 pcs/pvc box
R: 900 pcs/reel
- Material : 1.Contact : Brass, Tin Plated
2. Base : Nylon PA46 UL94V-0
;Color:Nature
- Finish : Tin Plated



Poles	Dimensions (mm)			Poles	Dimensions (mm)		
	A	B	C		A	B	C
2	1.25	4.25	3.05	9	10.00	13.00	11.80
3	2.50	5.50	4.30	10	11.25		
4	3.75	6.75	5.55	11	12.50		
5	5.00	8.00	6.80	12	13.75	16.75	
6	6.25	9.25	8.05	13	15.00	18.00	
7	7.50	10.50	9.30	14	16.25	19.25	
8	8.75	11.75	10.55	15	17.50	.50	

喬訊電子工業股份有限公司
CHYAO SHIUNN
ELECTRONIC INDUSTRIAL LTD.

PART NO JS-1147R-XX/X
1.25mm Crimp Style Connectors Wafer <DIP>

APPROVED BY	SCALE	UNIT	TOLERANCE	LTR	REVISION RECORD	NAME	DATE	LTR	REVISION RECORD	NAME	DATE
張育瑞		mm	.0 ±0.30	△	DG 200509-001		05/09/02	△			
CHECKED BY	PROJ	VER NO.	.00 ±0.20	△	RoHS compliant		06/12/30	△			
周家慶	⊕ □	a7	.000 ±0.10	△	200807-006		08/07/03	△			
DRAWN BY	DATE	SIZE	ANGLE	△	200811-002		08/11/03		CUSTOMER		
周美麗	2012/11/15	A4	0° ±1°	△	200910-005	林暉	09/10/23				
			.0° ±	△	增加顏色說明	劉怡萱	11/04/06		Conforms to The RoHS Instruction		
			SHEET 1/1	△	增加產品規格	周美麗	12/11/15				